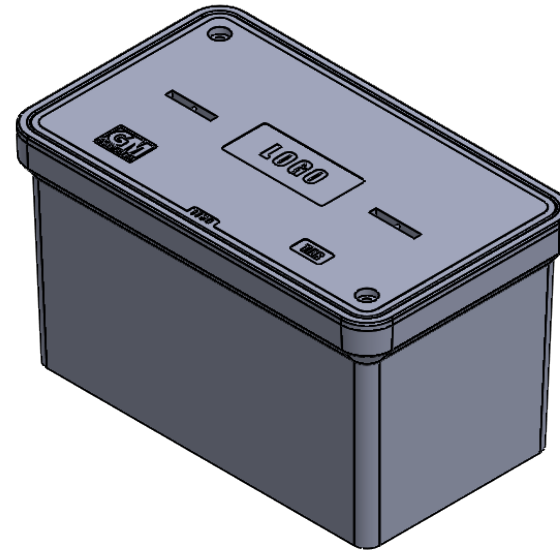
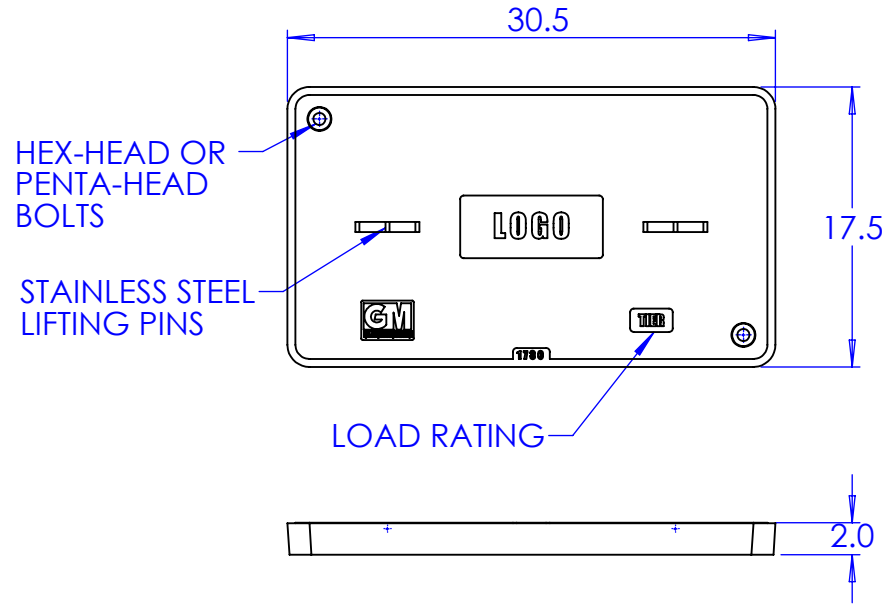
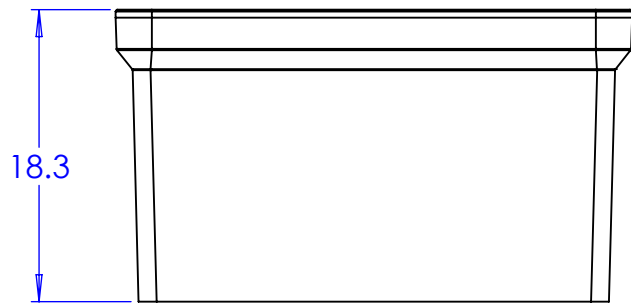
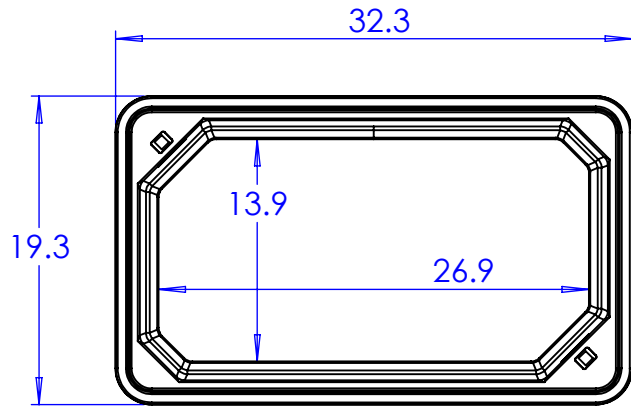


LID	M1730PN	81 LBS
ENCLOSURE	P173018S	110 LBS
ASSEMBLY	A173018P	191 LBS
PALLET QTY	12	



THIS DRAWING IS CONFIDENTIAL AND PROPRIETARY AND MAY NOT BE DISTRIBUTED OR REPRODUCED WITHOUT THE EXPRESSED WRITTEN CONSENT OF GLASMASTERS, INC. ALL COPYRIGHT AND PATENT RIGHTS RESERVED. VIOLATORS WILL BE PROSECUTED.

GLASMASTERS, INC.  
 8873 WESTERN WAY, JAX., FL 32256  
 (904) 400-7100 - (904) 358-1702 FAX  
 WWW.GLASMASTERS.COM

SHEET <b>1</b> OF 1	TITLE <b>17x30x18 ASSY, PC BOX</b>	DRAWN SJA	DATE 02/09/21	APPROVED BMC
	SCALE 1:12	REV N/C	FILE	
	DWG NO A173018P			