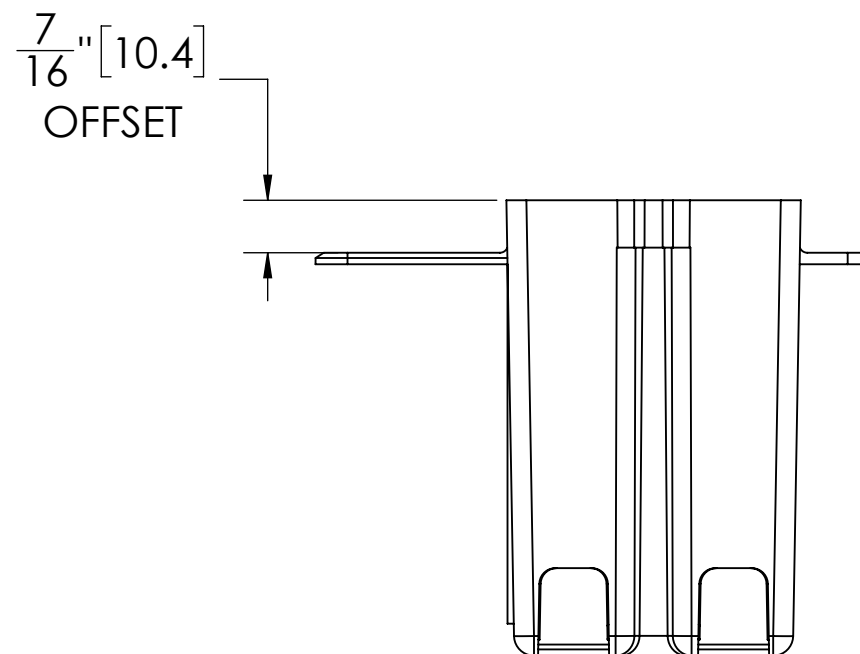
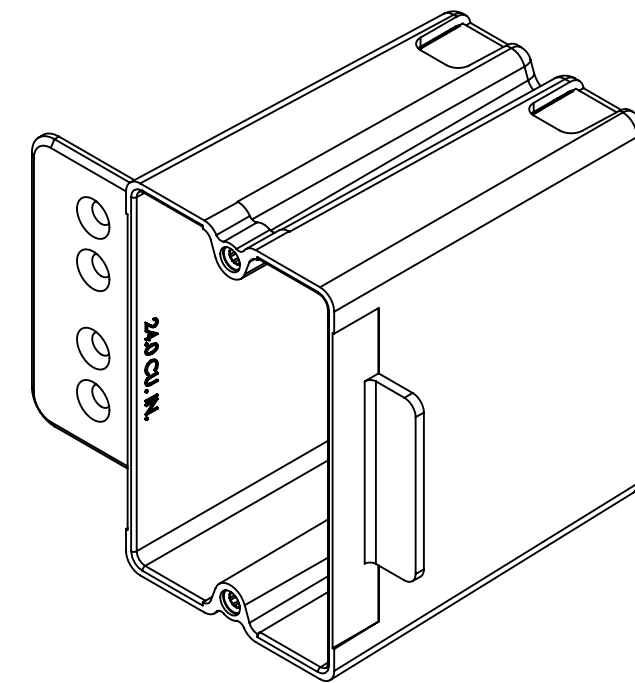
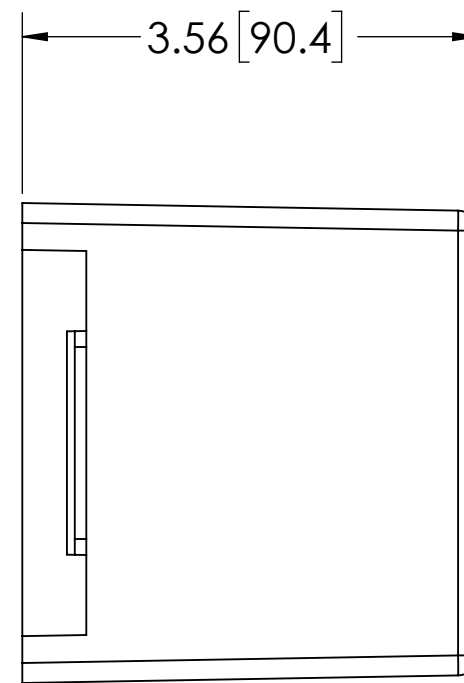
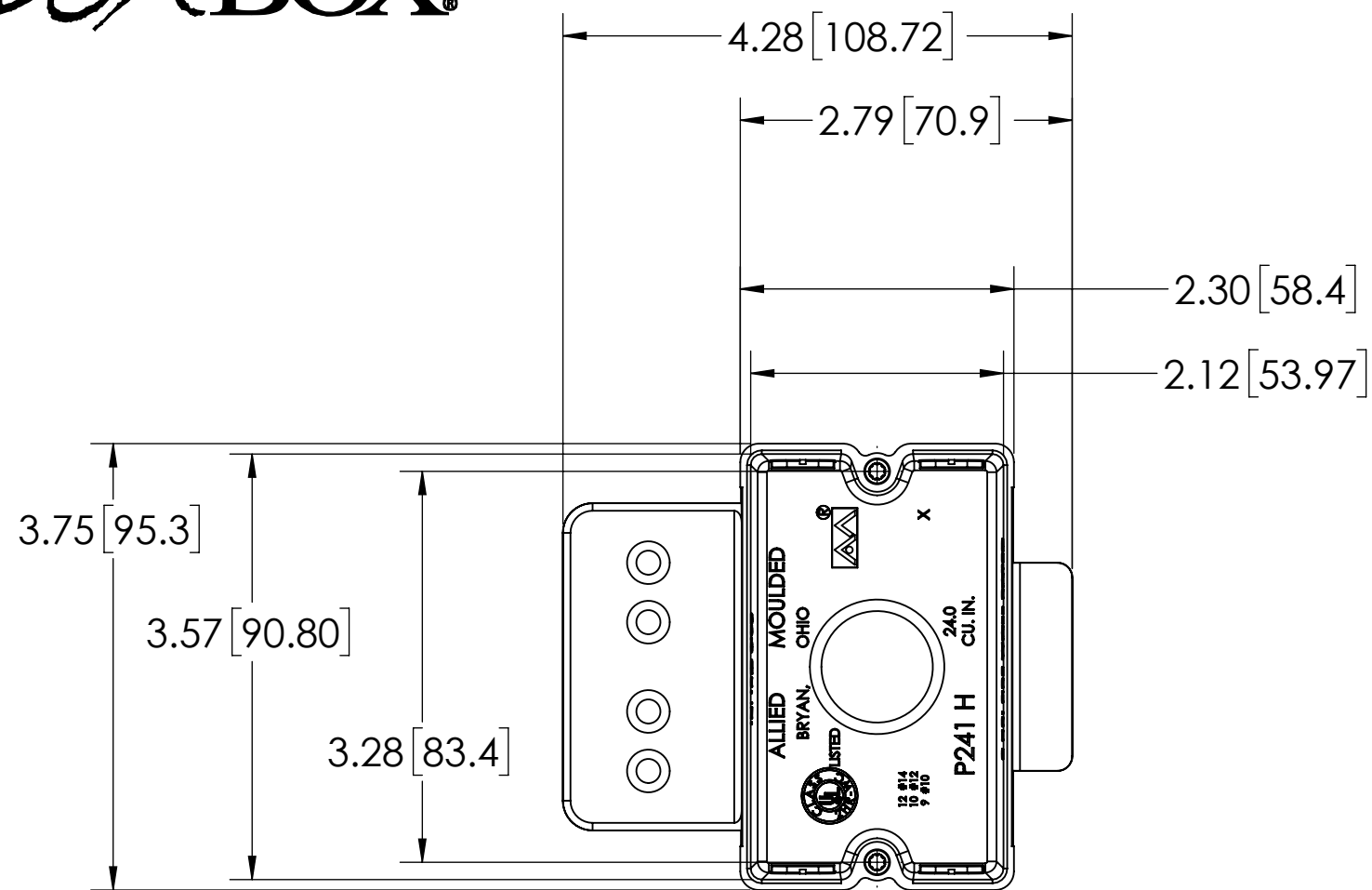


# flexBOX®

ISSUE DATE: 12/16/2016



- NOTES:
- 1.) BOX MATERIAL: POLYCARBONATE
  - 2.) ACCEPTS LVP-2 LOW VOLTAGE PARTITION
  - 3.) DATA SUBJECT TO CHANGE WITHOUT NOTICE

 **ALLIED MOULDED PRODUCTS**  
BRYAN, OHIO  
The Original Fiber Glass Outlet Box

PRODUCT SERIES  
**SINGLE GANG 24.0 CU. IN.**

**CONFIDENTIAL**  
THIS MATERIAL IS OWNED BY THE ALLIED MOULDED PRODUCTS COMPANY, IS DISCLOSED IN CONFIDENCE, AND IS NOT TO BE REPRODUCED OR DISTRIBUTED WITHOUT PRIOR WRITTEN PERMISSION FROM ALLIED MOULDED PRODUCTS.

Part No.  
**P-241H**