

tapTronic™

LEDVANCE NFC LED Drivers

Programmable Constant Current Dimmable Compact, Linear and Outdoor Type

Field-Programmable, Near-Field Communication (NFC) LED Drivers. This family covers linear, compact, and outdoor drivers. These drivers are available in the industry's most desirable wattages. Our programming software can be downloaded in seconds on any smartphone. The programming is easy and simple to follow.

Applications

Compact

- Pendants
- Home and décor
- Spotlights
- Downlights

Linear

- Wall and ceiling
- Surface-mounted
- Suspended luminaires
- Recessed

Outdoor

- Area lights
- Industrial highbays
- Wall packs
- Décor landscape
- Cobraheads
- Bollards
- Hazardous locations

Benefits and Features

- Field-programmable via free app
- Programming does not require driver to be powered up
- Quick and easy output customization:
 - Current
 - Dim to off – dim range %
 - Constant lumen output
 - Soft start
 - End of life
 - Thermal protection
- Compact: 25W and 40W both F-can and J-can housing style
- Linear: 36W, 55W and 88W
- Outdoor: 100W and 180W

Warranty

- 5-year
- NLB Trusted Warranty Program



Unique selling points

- Field-programmable – your installers will thank you
- Near-field communication interface
- LEDVANCE's own tapTronic software
- Large programmable range from each driver, ideal when consolidating your on-hand inventory from in-house or in a service truck. Customize their output in seconds

Product Ratings

- Compliant to 47 CFR, Part 15 Class A
- cUL class P
- UL Class 2 output for safety (Compact/Linear)
- RoHs
- FCC
- TAA (Linear only)

Download tapTronic Software App



Coming Soon



Catalog #	Type
Project	
Comments	
Prepared by	

Ordering Guide

LEDrv	XX	UNV	X	XXXX	DIMX	AUX12	P6	NFC
LEDVANCE Driver tapTronic	Output wattage 25 = 25W 36 = 36W 40 = 40W 55 = 55W 88 = 88W 100 = 100W 180 = 180W	Input Voltage 120-277	Type C = Compact L = Linear Blank = Outdoor	Output Current (Max) 1000 = 1000mA 1250 = 1250mA 1300 = 1300mA 1400 = 1400mA 2400 = 2400mA	0-10V Dimming DIM = 10% dimming DIM1 = 1% dimming	Auxiliary Output AUX12 = 12V	P6= IP66 (Outdoor)	Near-Field Programmable

Ordering Information

Item Number	Ordering Abbreviation	Total Output Power (W)	Output Current Range (Programmable)	Default Current	Output Voltage Range (Voc)	Dimming Control	Dimming Range	Aux	Line Transient
Compact									
75850*	LEDrv25UNVC1250DIM1AUX12NFC	25	150-1250mA	500mA	10-55	0-10V	1-100%	12V	ANSI C62.41 Cat. A 2.5kV
75851*†	LEDrv25UNVC1250DIM1JAU12NFC	25	150-1250mA	500mA	10-55	0-10V	1-100%	12V	ANSI C62.41 Cat. A 2.5kV
75852*	LEDrv40UNVC1400DIM1AUX12NFC	40	400-1400mA	700mA	10-55	0-10V	1-100%	12V	ANSI C62.41 Cat. A 2.5kV
75853*†	LEDrv40UNVC1400DIM1JAU12NFC	40	400-1400mA	700mA	10-55	0-10V	1-100%	12V	ANSI C62.41 Cat. A 2.5kV
Linear									
75856	LEDrv36UNVL1000DIM1AUX12NFC	36	100-1000mA	500mA	10-55	0-10V	1-100%	12V	ANSI C62.41 Cat. A 2.5kV
75857	LEDrv55UNVL1300DIM1AUX1NFC	55	130-1300mA	700mA	10-55	0-10V	1-100%	12V	ANSI C62.41 Cat. A 2.5kV
75858	LEDrv88UNVL2400DIM1AUX12NFC	88	240-2400mA	1400mA	10-55	0-10V	1-100%	12V	ANSI C62.41 Cat. A 2.5kV
Outdoor									
75854*	LEDrv100UNV1250DIMAUX12P6NFC	100	350-1250mA	350mA	10-55	0-10V	10-100%	12V	ANSI C62.41 Cat. B 6kV
75855*	LEDrv180UNV1250DIMAUX12P6NFC	180	350-1250mA	350mA	10-55	0-10V	10-100%	12V	ANSI C62.41 Cat. B 6kV

*Upcoming future models in Early 2023
†75851/75853 are J-style housing

Electrical Specifications

Item Number	Ordering Abbreviation	Max. Output Power (W)	Input Voltage (Vac)	Frequency	Power Factor	THD	Environmental Rating	UL File #
Compact								
75850	LEDrv25UNVC1250DIM1AUX12NFC	25	120-277	50/60Hz	>0.9	<20%	Dry & Damp (IP20)	in process
75851	LEDrv25UNVC1250DIM1JAU12NFC	25	120-277	50/60Hz	>0.9	<20%	Dry & Damp (IP20)	in process
75852	LEDrv40UNVC1400DIM1AUX12NFC	40	120-277	50/60Hz	>0.9	<20%	Dry & Damp (IP20)	in process
75853	LEDrv40UNVC1400DIM1JAU12NFC	40	120-277	50/60Hz	>0.9	<20%	Dry & Damp (IP20)	in process
Linear								
75856	LEDrv36UNVL1000DIM1AUX12NFC	36	120-277	50/60Hz	>0.9	<20%	Dry & Damp (IP20)	E495305
75857	LEDrv55UNVL1300DIM1AUX1NFC	55	120-277	50/60Hz	>0.9	<20%	Dry & Damp (IP20)	E495305
75858	LEDrv88UNVL2400DIM1AUX12NFC	88	120-277	50/60Hz	>0.9	<20%	Dry & Damp (IP20)	E495305
Outdoor								
75854	LEDrv100UNV1250DIMAUX12P6NFC	100	120-277	50/60Hz	>0.9	<10%	Damp & Wet (IP66)	in process
75855	LEDrv180UNV1250DIMAUX12P6NFC	180	120-277	50/60Hz	>0.9	<10%	Damp & Wet (IP66)	in process

Operating Temperatures

Parameter	Compact	Outdoor	Linear
Maximum Case Temperature (Tc point)	90°C Max (50kHrs)	90°C Max (50kHrs)	90°C Max (50kHrs)
Maximum Case Temperature for 5 year life and warranty	≤80°C	≤85°C	≤80°C
Ambient Operating Temperature	-30°C to 50°C	-40°C to 50°C	-30°C to 50°C
Maximum Storage Temperature	75°C	70°C	85°C
Maximum Relative Humidity	85% non-condensing	95% non-condensing	90% non-condensing

Dimmer Compatibility

Dimmer	Dimmer Type	Model
Leviton	0-10V	DS710
Leviton	0-10V	IP710
Lutron	0-10V	NTSTV-DV
Lutron	0-10V	NFTV
Lutron	0-10V	DVTV-WH
Legrand	0-10V	H4FBL3PW

NFC LED Driver Support

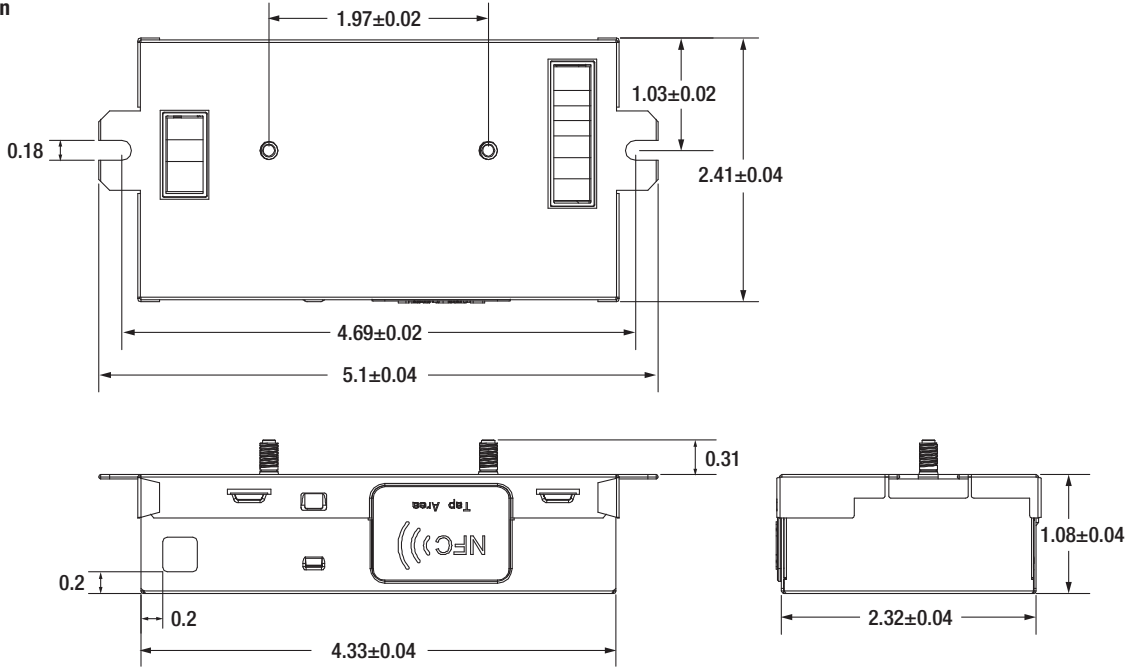
Software for configuration	tapTronic
Programming Tool	via Smartphone APP
Interface for data transfer	Near-Field Communication (NFC)

Physical Information

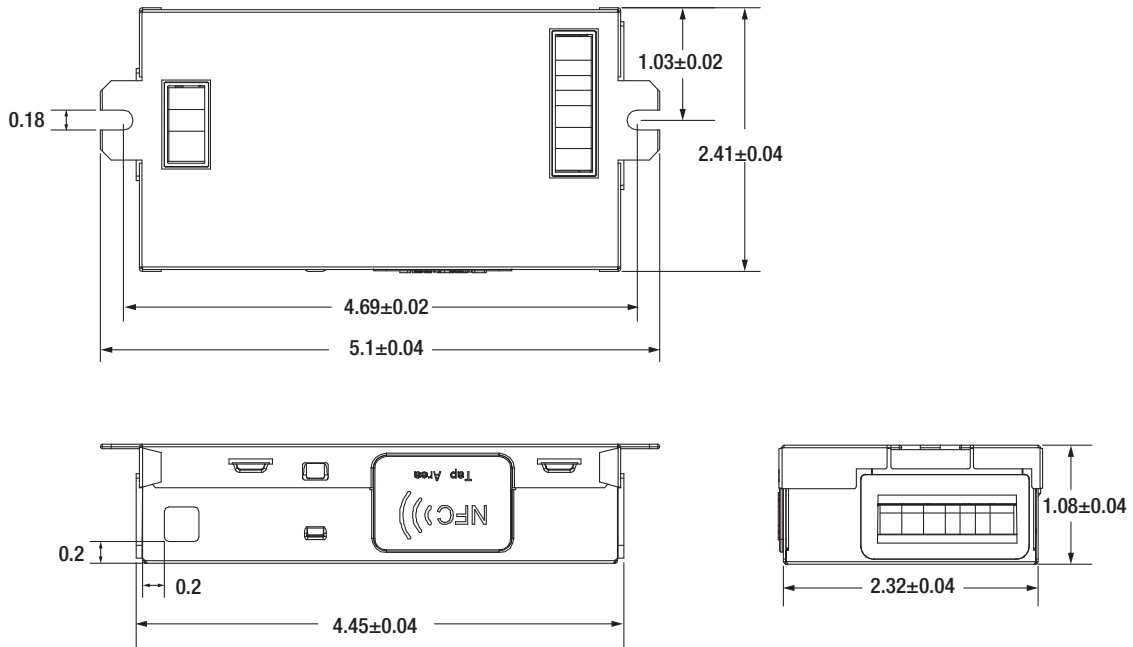
Description		Length (in)	Length/Case (in)	Width (in)	Height (in)	Weight (g)	UOM	Pallet Count
Compact	F-Can	5.1	4.33	2.3	1.1	250	1/SKU 24/CS	1008
	J-Can	5.1	4.45	2.3	1.1	250	1/SKU 24/CS	1008
Outdoor		9.5		2.4	1.5	1000	1/SKU 10/CS	540
Linear	36W/55W	9.5		1.2	1.1	450	1/SKU 24/CS	2160
	88W	9.5		1.8	1.2	550	1/SKU 20/CS	1800

Compact

F-Can



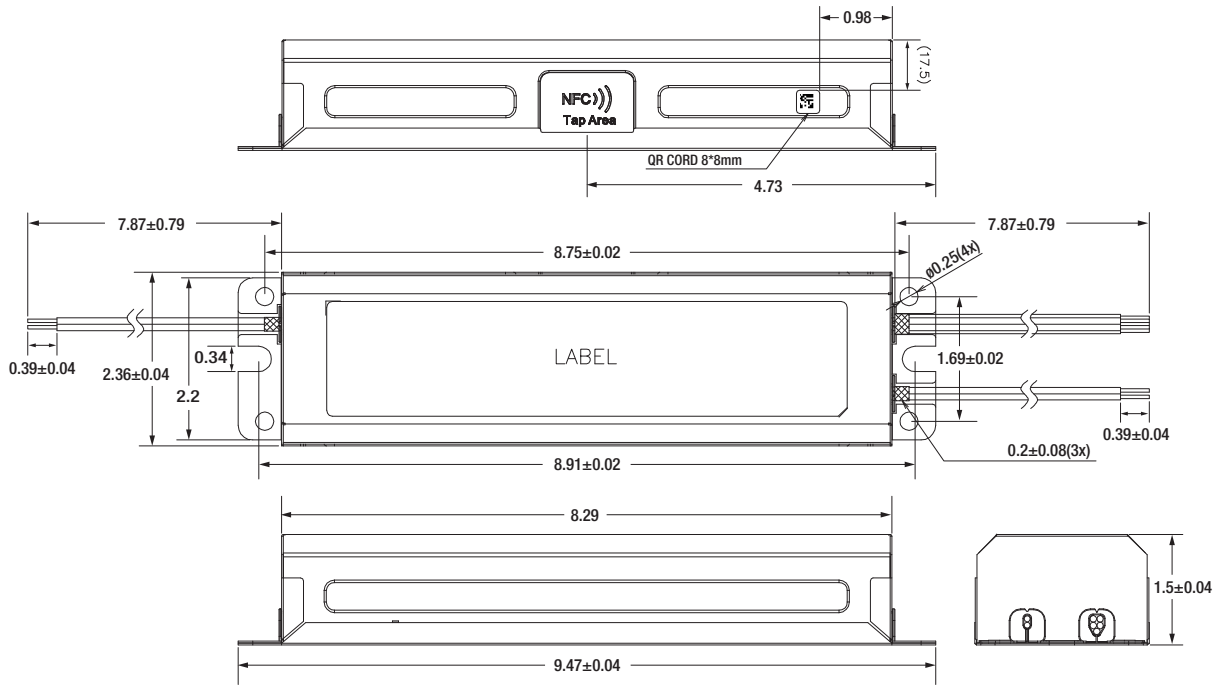
J-Can



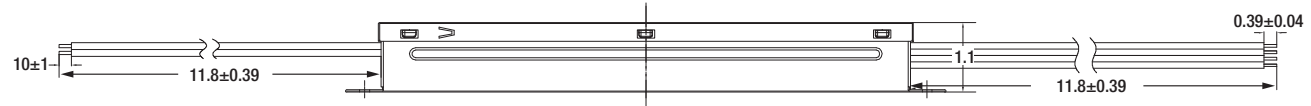
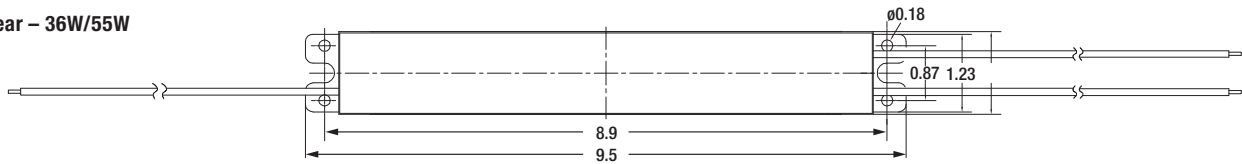
Dimensions in inches

Physical Information (continued)

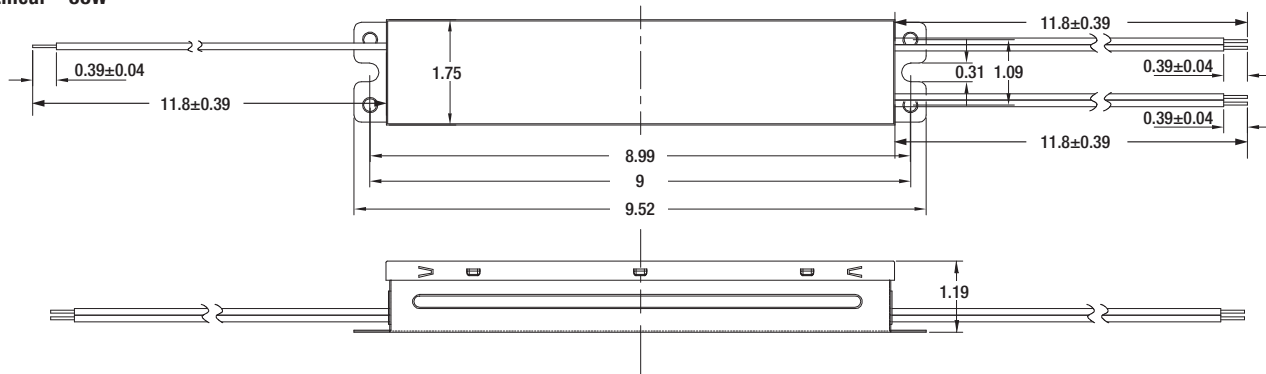
Outdoor



Linear – 36W/55W



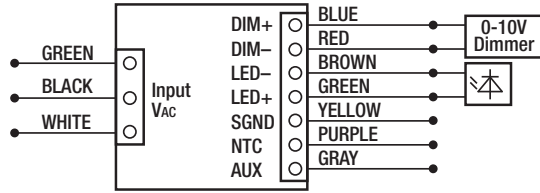
Linear – 88W



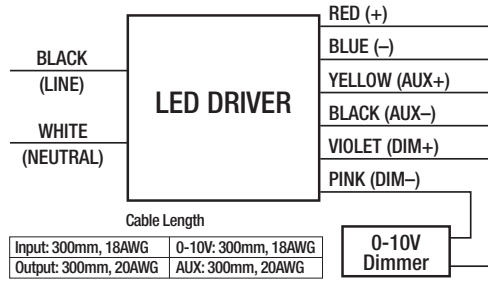
Dimensions in inches

Wiring Diagrams

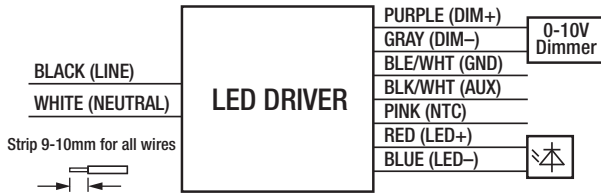
Compact – 25W/40W



Linear – 36W/55W/88W



Outdoor – 100W/180W



NOTE:
Color sequence/Wiring configuration
Wire according to the diagram
Do not leave any loose wires exposed

Further Details – Default Settings

			Factory Default Setting							
	NAED	Description	Current (mA)	Dim %	Dim to Off	Soft Start	End of Life	Constant Lumen	Thermal Protection	
Compact	75850	LEDrv25UNVC1250DIM1AUX12NFC	500	enable 1%	disabled	disabled	disabled	disabled	disabled	
	75851	LEDrv25UNVC1250DIM1JAU12NFC	500	enable 1%	disabled	disabled	disabled	disabled	disabled	
	75852	LEDrv40UNVC1400DIM1AUX12NFC	700	enable 10%	disabled	disabled	disabled	disabled	disabled	
	75853	LEDrv40UNVC1400DIM1JAU12NFC	700	enable 1%	disabled	disabled	disabled	disabled	disabled	
Linear	75856	LEDrv36UNVL1000DIM1AUX12NFC	500	enable 1%	disabled	disabled	n/a	n/a	n/a	
	75857	LEDrv55UNVL1300DIM1AUX12NFC	700	enable 1%	disabled	disabled	n/a	n/a	n/a	
	75858	LEDrv88UNVL2400DIM1AUX12NFC	1400	enable 1%	disabled	disabled	n/a	n/a	n/a	
Outdoor	75854	LEDrv100UNV1250DIMAUX12P6NFC	350	enable 10%	n/a	n/a	disabled	disabled	disabled	
	75855	LEDrv180UNV1250DIMAUX12P6NFC	350	enable 10%	n/a	n/a	disabled	disabled	disabled	

LEDVANCE LLC
181 Ballardvale Street
Wilmington, MA 01887 USA
Phone 1-800-LIGHTBULB (1-800-544-4828)
www.ledvanceUS.com

SYLVANIA and LEDVANCE are registered trademarks.
All other trademarks are those of their respective owners.
Licensee of product trademark SYLVANIA in general lighting.
Specifications subject to change without notice.

/sylvania /sylvania

