

**HF SIDE-MOUNT FILTER FANS (S-312243)**

**INDUSTRY STANDARDS**

UL/cUL Listed; File No. E482010
---------------------------------

CE  
EAC  
Type 12, IP54 standard (on all models except HF13)  
Type 12, IP 55 optional (on all models except HF04)

**APPLICATION**

- Industrial automation
- Automotive assembly
- Package handling equipment
- Food and beverage process controls
- Wind energy systems

**FEATURES**

- Click-fit design quickly installs into enclosure wall; no tools or screws required
- Opens with the flick of a finger for easy filter replacement
- Enclosure side wall mounting
- Reverse airflow option on HF13 models available to push/pull air through higher static pressure
- Standard rope gasket provides proper seal to the enclosure
- Similar cut-out sizes as other filter fan manufacturers
- Terminal block connections
- Optional thermostat available to save energy and extend service life
- Hinged grille remains attached after opening

**SPECIFICATIONS**

- Size range from 4 in. (102 mm) to 13 in. (325 mm)
- Free air flow from 21 CFM (36 m<sup>3</sup>/hr.) to 484 CFM (822 m<sup>3</sup>/hr.)
- Service life hours from 40,000 to 100,000 hours
- Operating temperature range from -4 F/-20 C to 149 F/65 C

**FINISH**

- RAL 7035 light-gray, UV-resistant plastic standard
- RAL 9011 black, UV-resistant plastic

**NOTES**

Visit [www.PentairProtect.com](http://www.PentairProtect.com) to download 2D and 3D CAD drawings into the overall design of your electrical system.

Performance Data **HF04 21 CFM (36 m<sup>3</sup>/hr.) Side-Mount Filter Fans**

<b>ELECTRICAL DATA</b>				
<b>Rated Voltage</b>	<b>115</b>	<b>230</b>	<b>24*</b>	<b>48*</b>
Frequency (Hz)	50/60	50/60	—	—
Nominal Current Maximum (Amps)	.10	.07	.14	.06
Power Consumption Maximum (Watts)	8.5/7.0	9.5/8.0	3.4	2.9
Power Connection	Terminal Block			
<b>TYPE 12 / IP54 FILTER FANS</b>				
RAL 7035 Light Gray:				
Catalog Number	<b>HF0416414</b>	<b>HF0426414</b>	<b>HF0424414</b>	<b>HF0448414</b>
RAL 9011 Black:				
Catalog Number	<b>HF0416413</b>	<b>HF0426413</b>	<b>HF0424413</b>	<b>HF0448413</b>
Free Airflow (CFM / m <sup>3</sup> /hr.)	21/36	21/36	21/36	21/36
Airflow with 1 Exhaust Grille (CFM / m <sup>3</sup> /hr.)	12/20	12/20	12/20	12/20
Airflow with 2 Exhaust Grilles (CFM / m <sup>3</sup> /hr.)	15/25	15/25	15/25	15/25
<b>FILTER FAN UNIT CONSTRUCTION</b>				
Fan RPM	3250	3250	2100	3300
Sound Pressure (dBA at 50/60 Hz)	34/36	34/36	34/36	34/36
Operating Temperature Range:				
Maximum (°F / °C)	131/55	131/55	149/65	149/65
Minimum (°F / °C)	14/-10	14/-10	-4/-20	-4/-20
Service Life (hours) at 40 C	61,000	61,000	51,000	70,000
Unit Dimensions - H x W x D (in. / mm)	4.42 x 4.44 x 3.65 / 112 x 113 x 93			
Cutout Dimensions - H x W (in. / mm)	3.62 x 3.62 / 92 x 92			
Weight (lb. / kg)	.91/.40			
<b>TYPE 12 / IP54 EXHAUST GRILLES</b>				
RAL 7035 Light Gray:				
Catalog Number	<b>HG0400404</b>	<b>HG0400404</b>	<b>HG0400404</b>	<b>HG0400404</b>
RAL 9011 Black:				
Catalog Number	<b>HG0400403</b>	<b>HG0400403</b>	<b>HG0400403</b>	<b>HG0400403</b>
<b>ACCESSORIES</b>				
Replacement Filters:				
Type 12 / IP54 Catalog Number	<b>89134423R</b>	<b>89134423R</b>	<b>89134423R</b>	<b>89134423R</b>
Thermostat Catalog Number	<b>THERM16F, THERM16C</b>	<b>THERM26F, THERM26C</b>	—	—

Above airflow rates at 60 Hz; see performance curves for airflow at 50 Hz and more details.

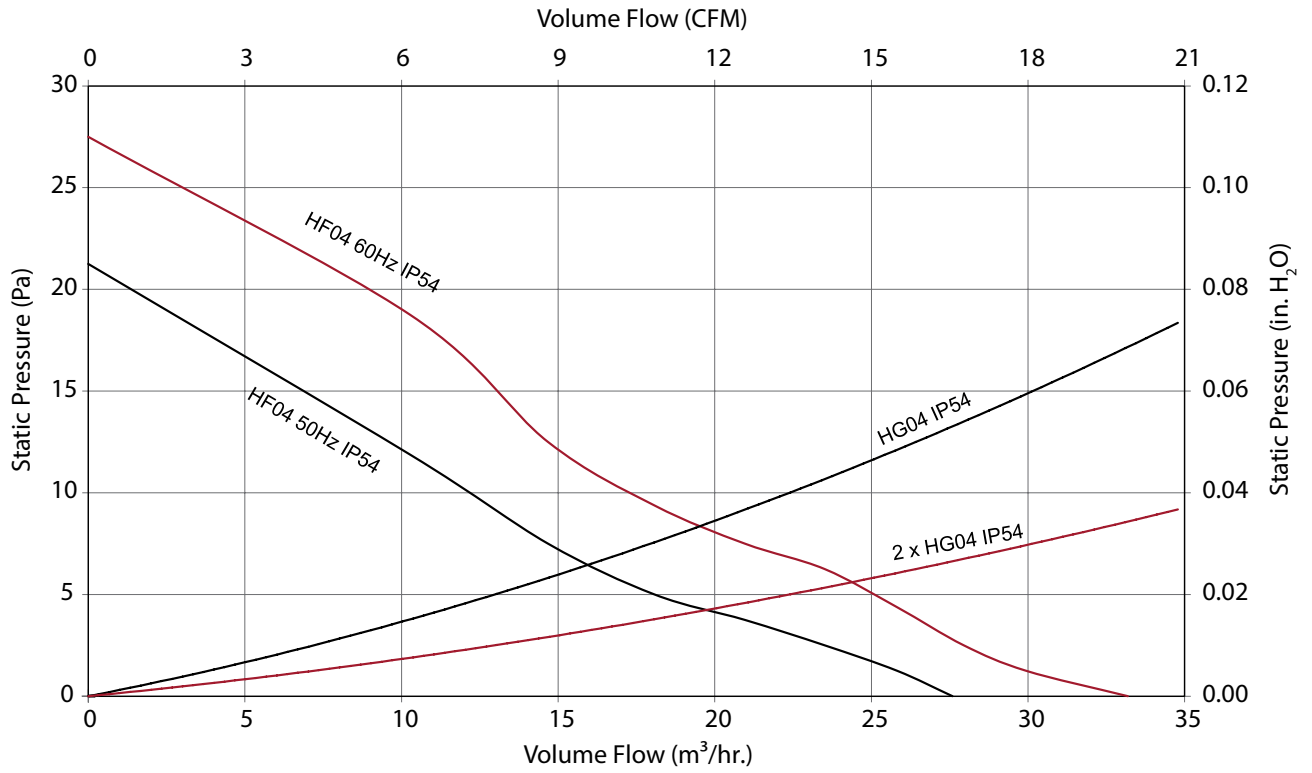
Unit depth is from the back edge of the grille to the back of the fan.

Exhaust Grilles sold separately.

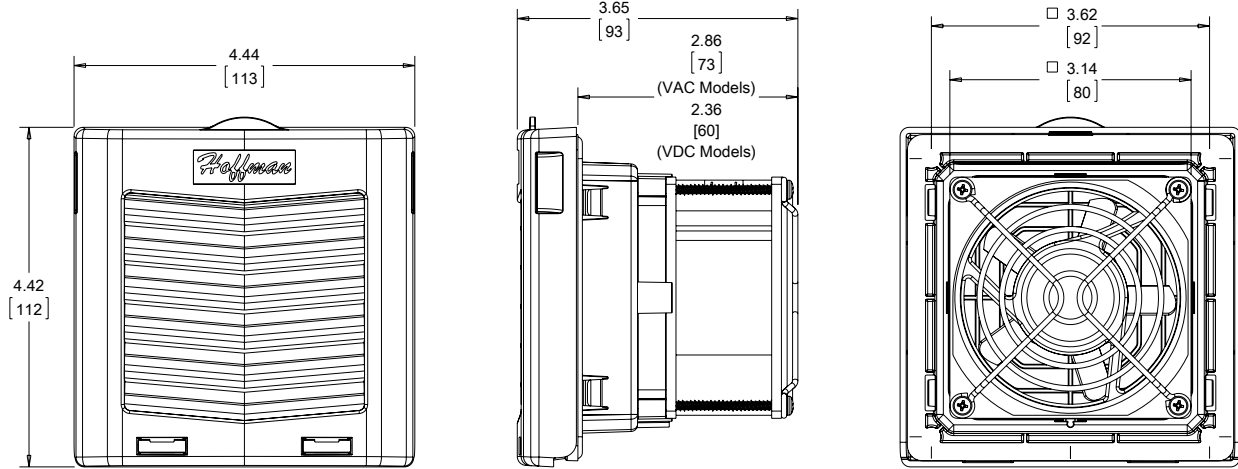
\* This indicates a DC Voltage.

### Performance Curves for HF04 Models 21 CFM (36 m<sup>3</sup>/hr.) Side-Mount Filter Fans

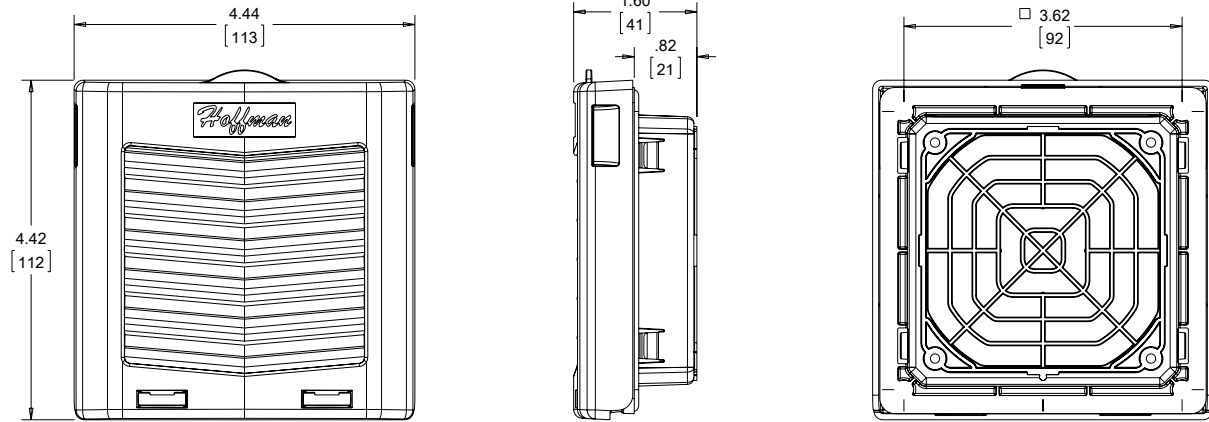
HF04 Capacity Curve, IP54



HF04 21 CFM (36 m³/hr.) Side-Mount Filter Fans

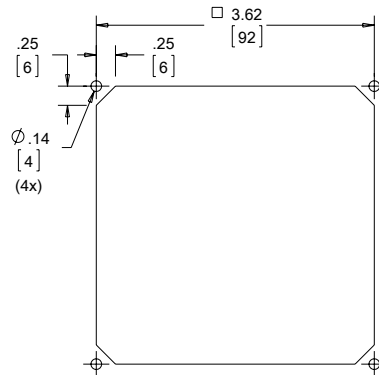


Exhaust Grille



Order exhaust grille kits separately.

89140582



Cutout Dimensions

Visit [www.PentairProtect.com](http://www.PentairProtect.com) to download 2D and 3D CAD drawings into the overall design of your electrical system.

Performance Data HF05 35 CFM (59 m<sup>3</sup>/hr.) Side-Mount Filter Fans

<b>ELECTRICAL DATA</b>				
Rated Voltage	115	230	24*	48*
Frequency (Hz)	50/60	50/60	—	—
Nominal Current Maximum (Amps)	.16/.14	.12/.10	.35	.17
Power Consumption Maximum (Watts)	11.0/10.0	15.0/14.0	8.4	8.2
Power Connection	Terminal Block			
<b>TYPE 12 / IP54 FILTER FANS</b>				
RAL 7035 Light Gray:				
Catalog Number	HF0516414	HF0526414	HF0524414	HF0548414
RAL 9011 Black:				
Catalog Number	HF0516413	HF0526413	HF0524413	HF0548413
Free Airflow (CFM / m <sup>3</sup> /hr.)	35/59	35/59	35/59	35/59
Airflow with 1 Exhaust Grille (CFM / m <sup>3</sup> /hr.)	23/39	23/39	23/39	23/39
Airflow with 2 Exhaust Grilles (CFM / m <sup>3</sup> /hr.)	28/48	28/48	28/48	28/48
<b>TYPE 12 / IP55 FILTER FANS</b>				
RAL 7035 Light Gray:				
Catalog Number	HF0516514	HF0526514	HF0524514	HF0548514
RAL 9011 Black:				
Catalog Number	HF0516513	HF0526513	HF0524513	HF0548513
Free Airflow (CFM / m <sup>3</sup> /hr.)	12/20	12/20	12/20	12/20
Airflow with 1 Exhaust Grille (CFM / m <sup>3</sup> /hr.)	8/14	8/14	8/14	8/14
Airflow with 2 Exhaust Grilles (CFM / m <sup>3</sup> /hr.)	9/15	9/15	9/15	9/15
<b>FILTER FAN UNIT CONSTRUCTION</b>				
Fan RPM	2600/2900	2600/2900	3200	3200
Sound Pressure (dBA at 50/60 Hz)	40/44	40/44	40/44	40/44
Operating Temperature Range:				
Maximum (°F / °C)	131/55	131/55	149/65	149/65
Minimum (°F / °C)	14/-10	14/-10	-4/-20	14/-10
Service Life (hours) at 40 C	40,000	40,000	100,000	100,000
Unit Dimensions - H x W x D (in. / mm)	6.15 x 6.16 x 3.98/156 x 157 x 101			
Cutout Dimensions - H x W (in. / mm)	4.92 x 4.92/125 x 125			
Weight (lb. / kg)	1.77/.80			
<b>TYPE 12 / IP54 EXHAUST GRILLES</b>				
RAL 7035 Light Gray:				
Catalog Number	HG0500404	HG0500404	HG0500404	HG0500404
RAL 9011 Black:				
Catalog Number	HG0500403	HG0500403	HG0500403	HG0500403
<b>TYPE 12 / IP55 EXHAUST GRILLES</b>				
RAL 7035 Light Gray:				
Catalog Number	HG0500504	HG0500504	HG0500504	HG0500504
RAL 9011 Black:				
Catalog Number	HG0500503	HG0500503	HG0500503	HG0500503
<b>ACCESSORIES</b>				
Replacement Filters:				
Type 12 / IP54 Catalog Number	89134424R	89134424R	89134424R	89134424R
Type 12 / IP55 Catalog Number	89136408R	89136408R	89136408R	89136408R
Thermostat Catalog Number	THERM16F, THERM16C	THERM26F, THERM26C	—	—
Shroud Catalog Number	HH05GS35001, HH05GS61001, HH05SS04001			

Above airflow rates at 60 Hz; see performance curves for airflow at 50 Hz and more details.

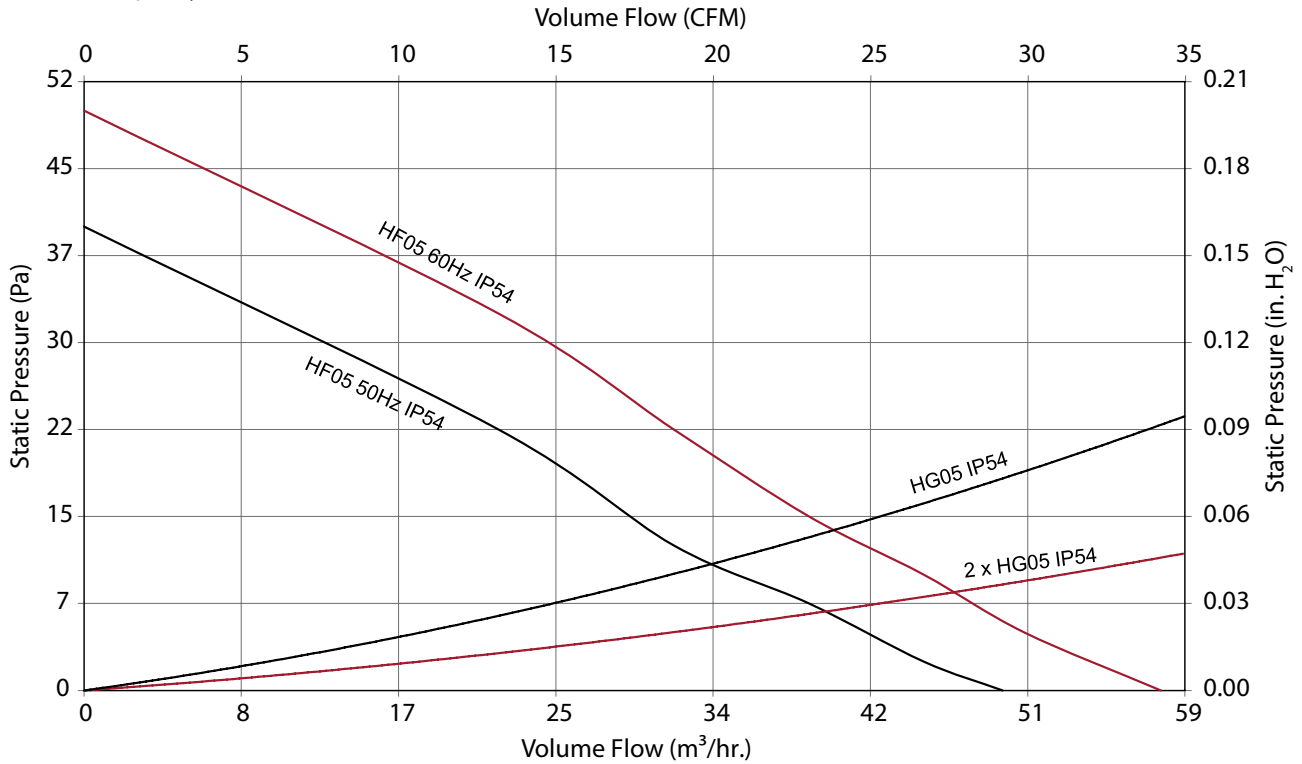
Unit depth is from the back edge of the grille to the back of the fan.

Exhaust Grilles sold separately.

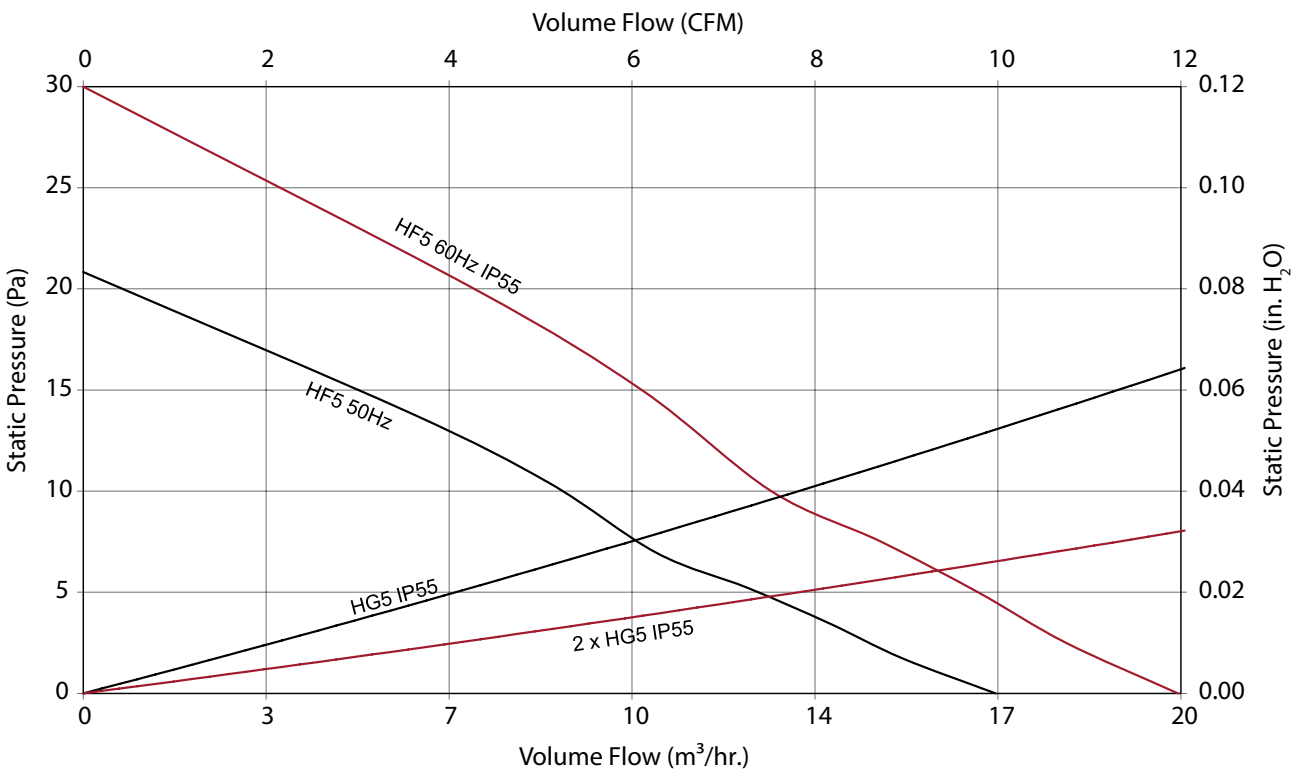
\* This indicates a DC Voltage.

### Performance Curves for HF05 Models 35 CFM (59 m<sup>3</sup>/hr.) Side-Mount Filter Fans

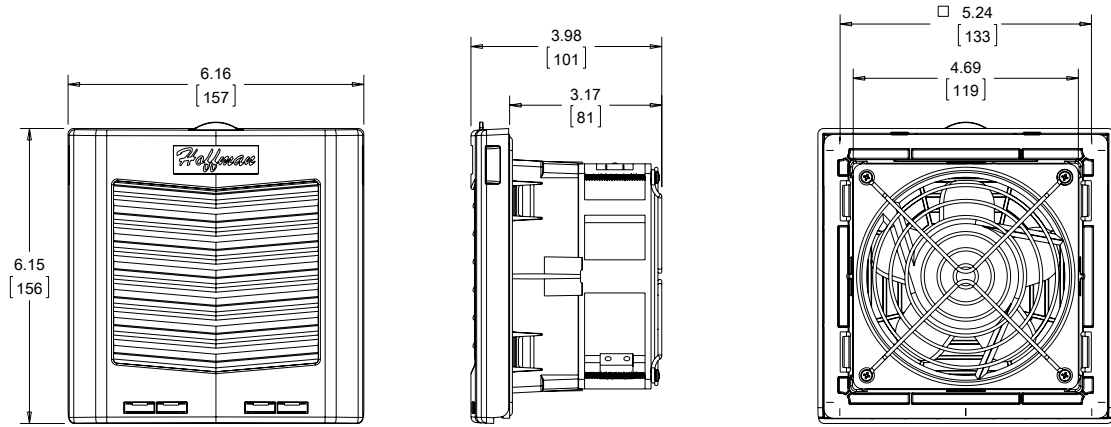
HF05 Capacity Curve, IP54



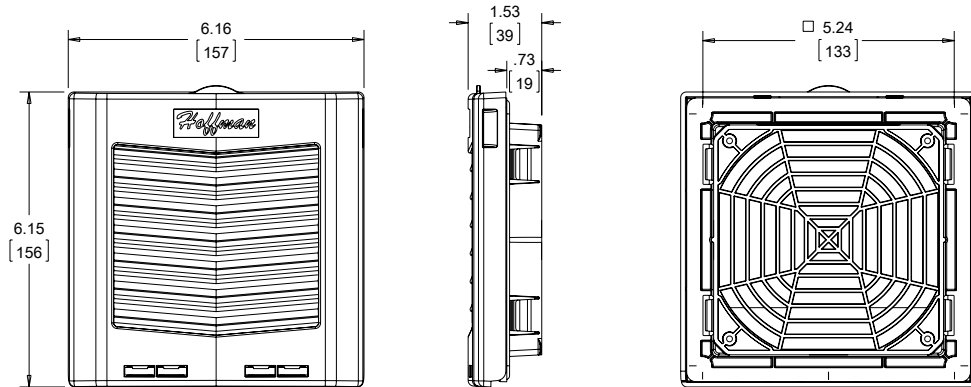
HF05 Capacity Curve, IP55



HF05 35 CFM (59 m<sup>3</sup>/hr.) Side-Mount Filter Fans

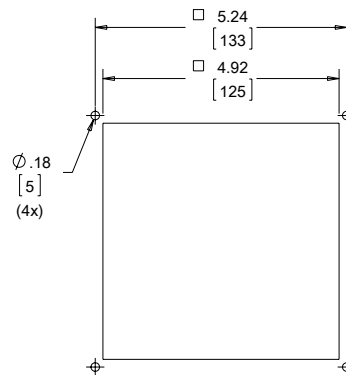


Exhaust Grille



Order exhaust grille kits separately.

89140583



Cutout Dimensions

Visit [www.PentairProtect.com](http://www.PentairProtect.com) to download 2D and 3D CAD drawings into the overall design of your electrical system.

Performance Data **HF09 70 CFM (119 m<sup>3</sup>/hr.) Side-Mount Filter Fans**

<b>ELECTRICAL DATA</b>				
Rated Voltage	115	230	24*	48*
Frequency (Hz)	50/60	50/60	—	—
Nominal Current Maximum (Amps)	.16/.14	.12/.10	.35	.17
Power Consumption Maximum (Watts)	11.0/10.0	15.0/14.0	8.4	8.2
Power Connection	Terminal Block			
<b>TYPE 12 / IP54 FILTER FANS</b>				
RAL 7035 Light Gray:				
Catalog Number	<b>HF0916414</b>	<b>HF0926414</b>	<b>HF0924414</b>	<b>HF0948414</b>
RAL 9011 Black:				
Catalog Number	<b>HF0916413</b>	<b>HF0926413</b>	<b>HF0924413</b>	<b>HF0948413</b>
Free Airflow (CFM / m <sup>3</sup> /hr.)	70/119	70/119	70/119	70/119
Airflow with 1 Exhaust Grille (CFM / m <sup>3</sup> /hr.)	44/75	44/75	44/75	44/75
Airflow with 2 Exhaust Grilles (CFM / m <sup>3</sup> /hr.)	55/93	55/93	55/93	55/93
<b>TYPE 12 / IP55 FILTER FANS</b>				
RAL 7035 Light Gray:				
Catalog Number	<b>HF0916514</b>	<b>HF0926514</b>	<b>HF0924514</b>	<b>HF0948514</b>
RAL 9011 Black:				
Catalog Number	<b>HF0916513</b>	<b>HF0926513</b>	<b>HF0924513</b>	<b>HF0948513</b>
Free Airflow (CFM / m <sup>3</sup> /hr.)	33/56	33/56	33/56	33/56
Airflow with 1 Exhaust Grille (CFM / m <sup>3</sup> /hr.)	23/39	23/39	23/39	23/39
Airflow with 2 Exhaust Grilles (CFM / m <sup>3</sup> /hr.)	26/44	26/44	26/44	26/44
<b>FILTER FAN UNIT CONSTRUCTION</b>				
Fan RPM	2600/2900	2600/2900	3200	3200
Sound Pressure (dBA at 50/60 Hz)	43/46	43/46	43/46	43/46
Operating Temperature Range:				
Maximum (°F / °C)	131/55	131/55	149/65	149/65
Minimum (°F / °C)	14/-10	14/-10	-4/-20	14/-10
Service Life (hours) at 40 C	40,000	40,000	100,000	100,000
Unit Dimensions - H x W x D (in. / mm)	8.19 x 8.21 x 4.15/208 x 209 x 105			
Cutout Dimensions - H x W (in. / mm)	6.97 x 6.97/177 x 177			
Weight (lb. / kg)	2.13/1.0			
<b>TYPE 12 / IP54 EXHAUST GRILLES</b>				
RAL 7035 Light Gray:				
Catalog Number	<b>HG0900404</b>	<b>HG0900404</b>	<b>HG0900404</b>	<b>HG0900404</b>
RAL 9011 Black:				
Catalog Number	<b>HG0900403</b>	<b>HG0900403</b>	<b>HG0900403</b>	<b>HG0900403</b>
<b>TYPE 12 / IP55 EXHAUST GRILLES</b>				
RAL 7035 Light Gray:				
Catalog Number	<b>HG0900504</b>	<b>HG0900504</b>	<b>HG0900504</b>	<b>HG0900504</b>
RAL 9011 Black:				
Catalog Number	<b>HG0900503</b>	<b>HG0900503</b>	<b>HG0900503</b>	<b>HG0900503</b>
<b>ACCESSORIES</b>				
Replacement Filters:				
Type 12 / IP54 Catalog Number	<b>89134425R</b>	<b>89134425R</b>	<b>89134425R</b>	<b>89134425R</b>
Type 12 / IP55 Catalog Number	<b>89136409R</b>	<b>89136409R</b>	<b>89136409R</b>	<b>89136409R</b>
Thermostat Catalog Number	<b>THERM16F, THERM16C</b>	<b>THERM26F, THERM26C</b>	—	—
Shroud Catalog Number	<b>HH10G535001, HH10G561001, HH10SS04001</b>			

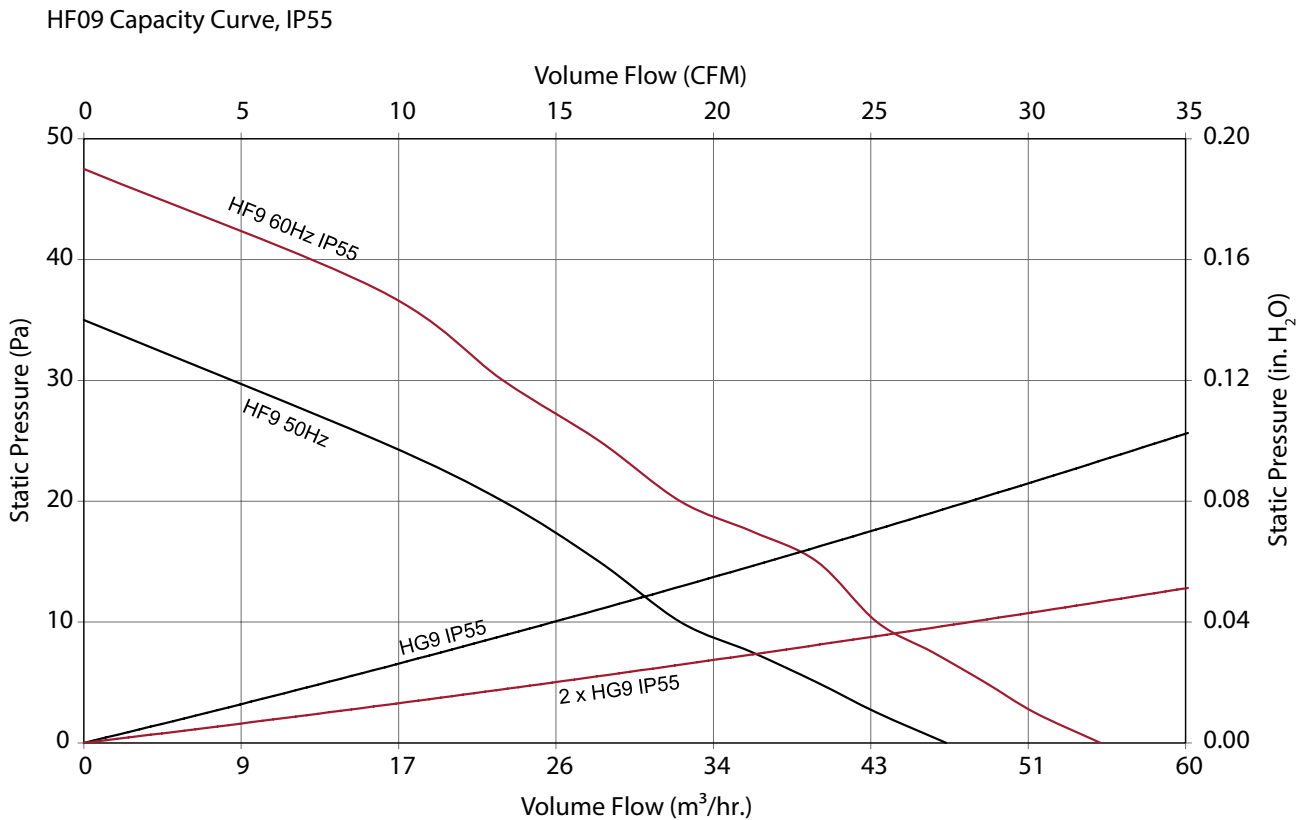
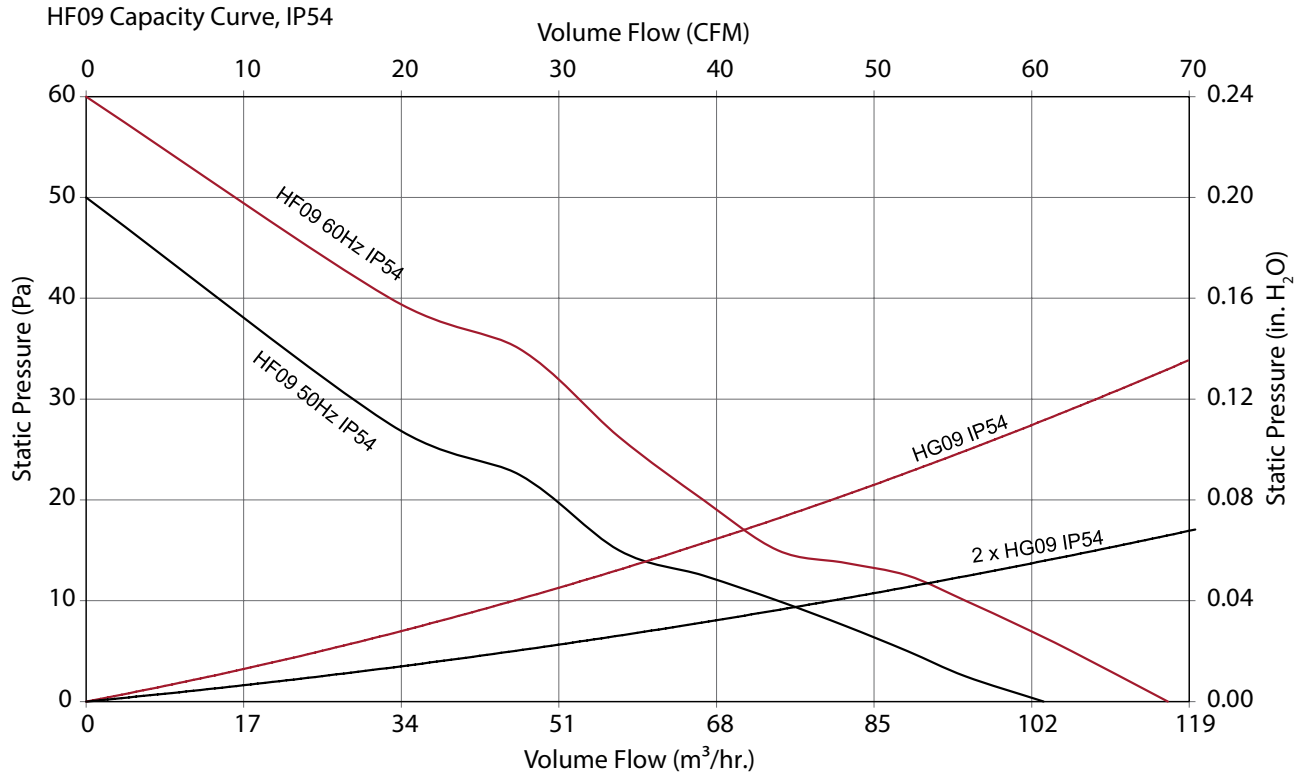
Above airflow rates at 60 Hz; see performance curves for airflow at 50 Hz and more details.

Unit depth is from the back edge of the grille to the back of the fan.

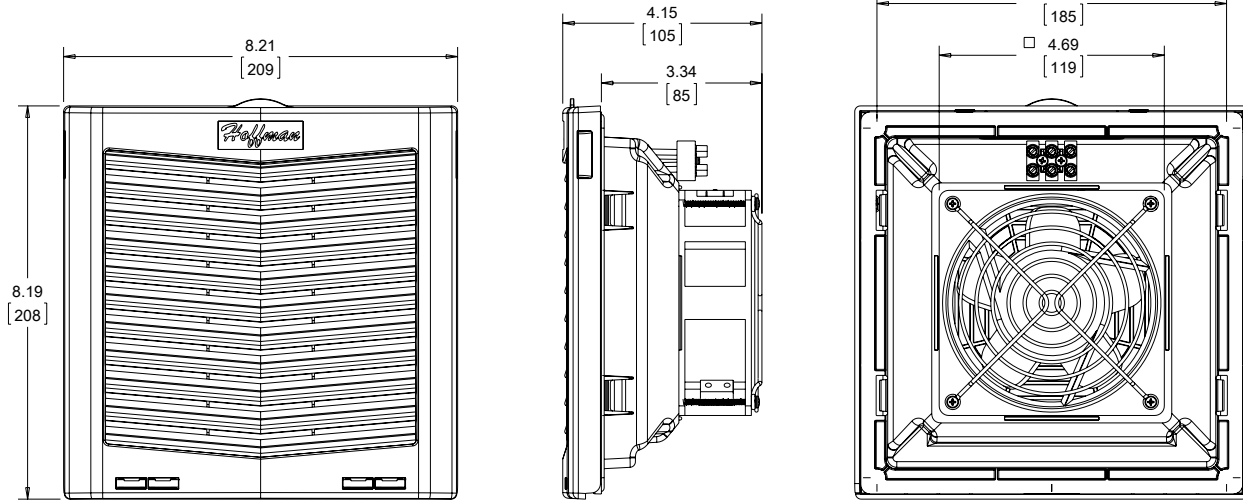
Exhaust Grilles sold separately.

\* This indicates a DC Voltage.

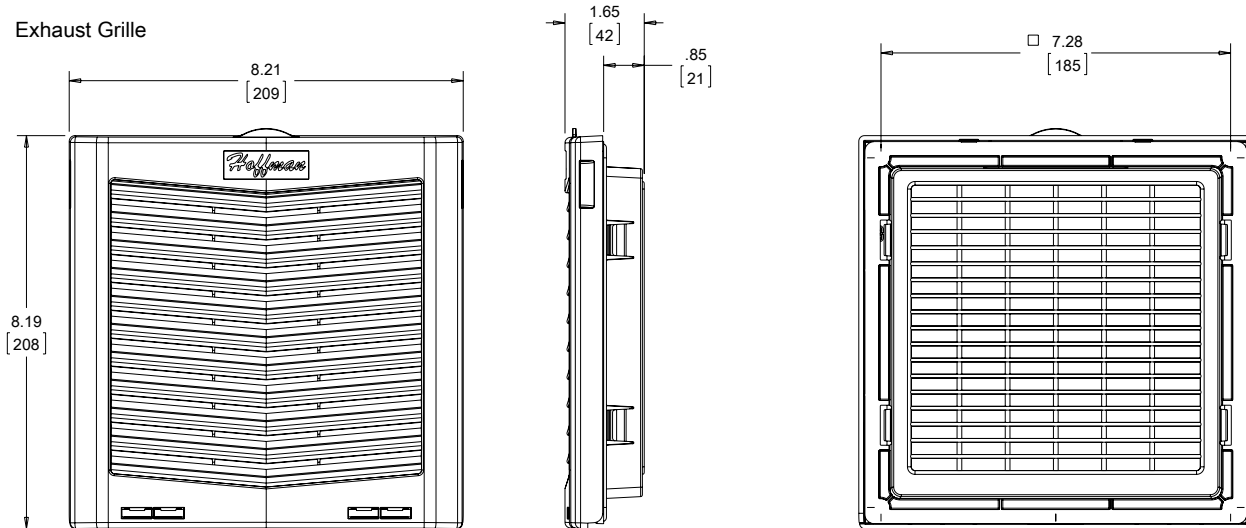


Performance Curves for HF09 Models 70 CFM (119 m<sup>3</sup>/hr.) Side-Mount Filter Fans


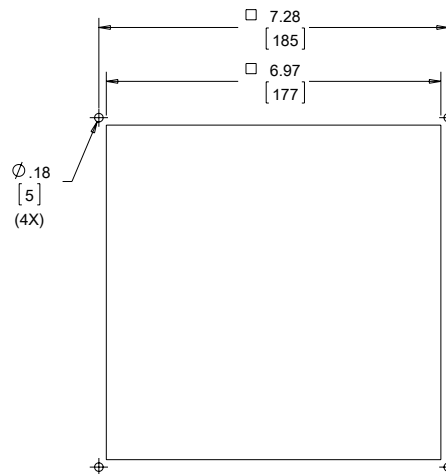
HF09 70 CFM (119 m<sup>3</sup>/hr.) Side-Mount Filter Fans



Exhaust Grille



89140584



Cutout Dimensions

Visit [www.PentairProtect.com](http://www.PentairProtect.com) to download 2D and 3D CAD drawings into the overall design of your electrical system.

**Performance Data HF10 159 CFM (270 m<sup>3</sup>/Hr.) Side-Mount Filter Fans**

<b>ELECTRICAL DATA</b>				
<b>Rated Voltage</b>	<b>115</b>	<b>230</b>	<b>24*</b>	<b>48*</b>
Frequency (Hz)	50/60	50/60	—	—
Nominal Current Maximum (Amps)	.38/.36	.18/.19	.88	.32
Power Consumption Maximum (Watts)	35/32	38/35	21.1	15.4
Power Connection	Terminal Block			
<b>TYPE 12 / IP54 FILTER FANS</b>				
RAL 7035 Light Gray:				
Catalog Number	<b>HF1016414</b>	<b>HF1026414</b>	<b>HF1024414</b>	<b>HF1048414</b>
RAL 9011 Black:				
Catalog Number	<b>HF1016413</b>	<b>HF1026413</b>	<b>HF1024413</b>	<b>HF1048413</b>
Free Airflow (CFM / m <sup>3</sup> /hr.)	159/270	159/270	159/270	159/270
Airflow with 1 Exhaust Grille (CFM / m <sup>3</sup> /hr.)	128/217	128/217	128/217	128/217
Airflow with 2 Exhaust Grilles (CFM / m <sup>3</sup> /hr.)	151/257	151/257	151/257	151/257
<b>TYPE 12 / IP55 FILTER FANS</b>				
RAL 7035 Light Gray:				
Catalog Number	<b>HF1016514</b>	<b>HF1026514</b>	<b>HF1024514</b>	<b>HF1048514</b>
RAL 9011 Black:				
Catalog Number	<b>HF1016513</b>	<b>HF1026513</b>	<b>HF1024513</b>	<b>HF1048513</b>
Free Airflow (CFM / m <sup>3</sup> /hr.)	103/175	103/175	103/175	103/175
Airflow with 1 Exhaust Grille (CFM / m <sup>3</sup> /hr.)	80/136	80/136	80/136	80/136
Airflow with 2 Exhaust Grilles (CFM / m <sup>3</sup> /hr.)	87/148	87/148	87/148	87/148
<b>FILTER FAN UNIT CONSTRUCTION</b>				
Fan RPM	2700/3200	2700/3200	3750	3500
Sound Pressure (dBA at 50/60 Hz)	53/56	53/56	53/56	53/56
Operating Temperature Range:				
Maximum (°F / °C)	131/55	131/55	131/55	131/55
Minimum (°F / °C)	14/-10	14/-10	14/-10	14/-10
Service Life (hours) at 40 C	97,000	97,000	76,000	76,000
Unit Dimensions - H x W x D (in. / mm)	10.13 x 10.14 x 4.68/257 x 258 x 119			
Cutout Dimensions - H x W (in. / mm)	8.78 x 8.78/223 x 223			
Weight (lb. / kg)	3.14/1.40			
<b>TYPE 12 / IP54 EXHAUST GRILLES</b>				
RAL 7035 Light Gray:				
Catalog Number	<b>HG1000404</b>	<b>HG1000404</b>	<b>HG1000404</b>	<b>HG1000404</b>
RAL 9011 Black:				
Catalog Number	<b>HG1000403</b>	<b>HG1000403</b>	<b>HG1000403</b>	<b>HG1000403</b>
<b>TYPE 12 / IP55 EXHAUST GRILLES</b>				
RAL 7035 Light Gray:				
Catalog Number	<b>HG1000504</b>	<b>HG1000504</b>	<b>HG1000504</b>	<b>HG1000504</b>
RAL 9011 Black:				
Catalog Number	<b>HG1000503</b>	<b>HG1000503</b>	<b>HG1000503</b>	<b>HG1000503</b>
<b>ACCESSORIES</b>				
Replacement Filters:				
Type 12 / IP54 Catalog Number	<b>89134426R</b>	<b>89134426R</b>	<b>89134426R</b>	<b>89134426R</b>
Type 12 / IP55 Catalog Number	<b>89136410R</b>	<b>89136410R</b>	<b>89136410R</b>	<b>89136410R</b>
Thermostat Catalog Number	<b>THERM16F, THERM16C</b>	<b>THERM26F, THERM26C</b>	—	—
Shroud Catalog Number	<b>HH10G535001, HH10G561001, HH10SS04001</b>			

Above airflow rates at 60 Hz; see performance curves for airflow at 50 Hz and more details.

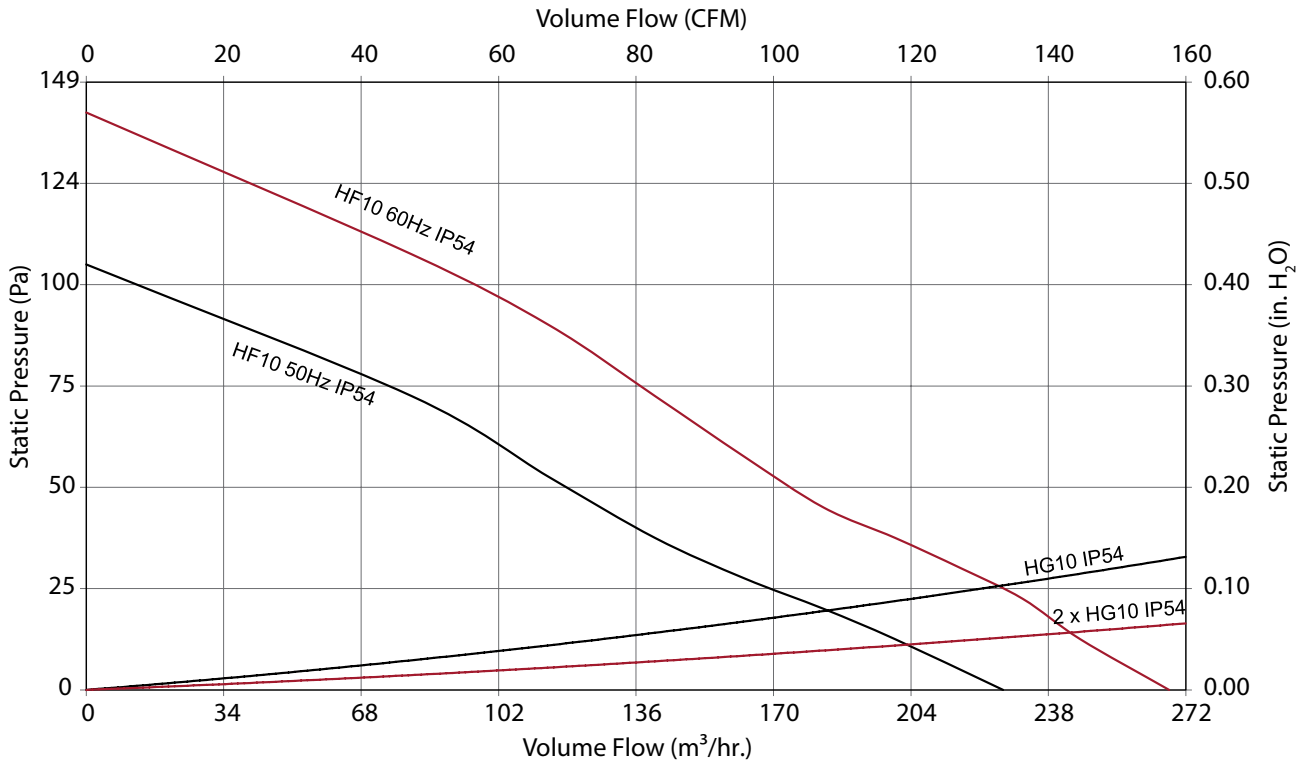
Unit depth is from the back edge of the grille to the back of the fan.

Exhaust Grilles sold separately.

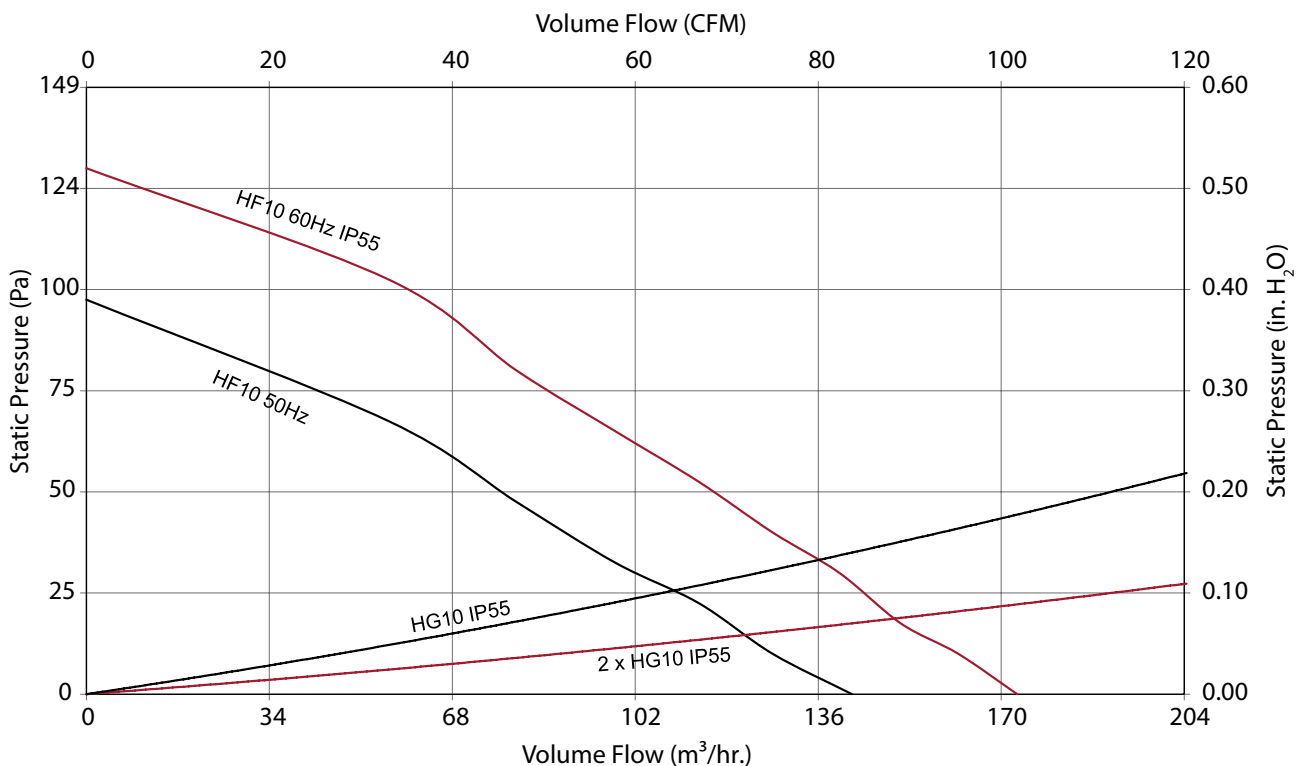
\* This indicates a DC Voltage.

### Performance Curves for HF10 Models 159 CFM (270 m<sup>3</sup>/hr.) Side-Mount Filter Fans

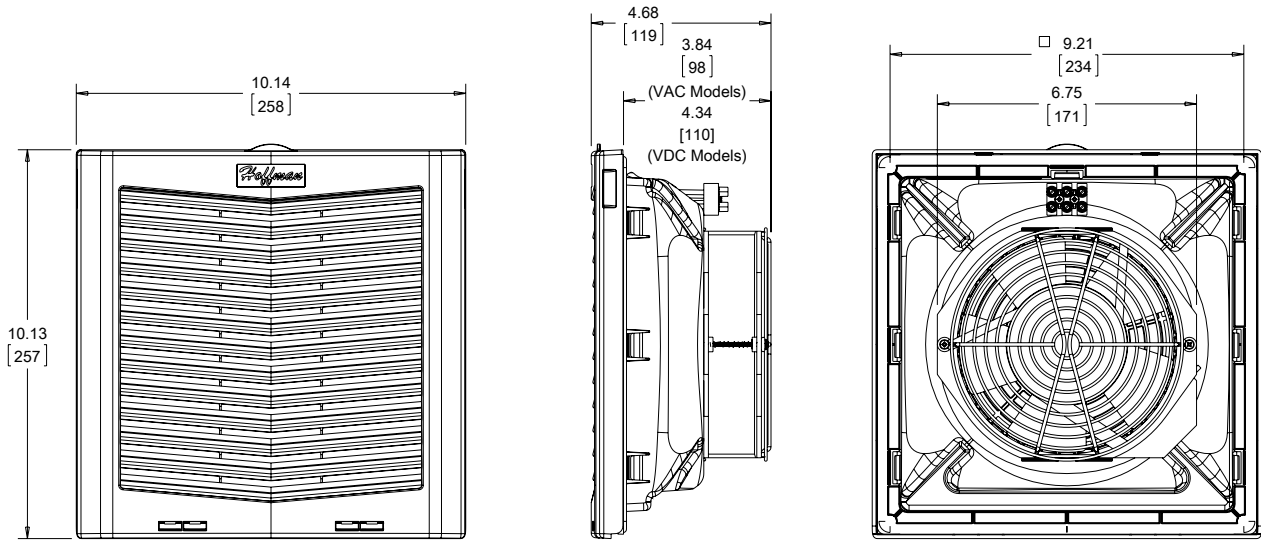
HF10 Capacity Curve, IP54



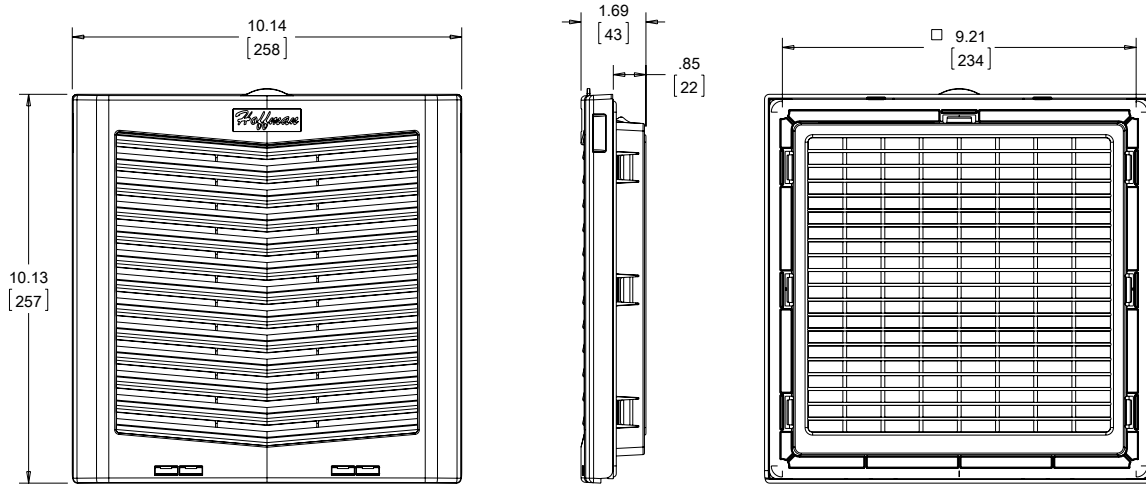
HF10 Capacity Curve, IP55



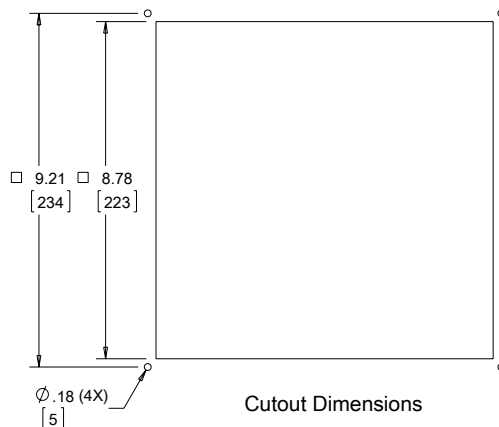
HF10 159 CFM (270 m³/Hr.) Side-Mount Filter Fans



Exhaust Grille



89140585



Visit [www.PentairProtect.com](http://www.PentairProtect.com) to download 2D and 3D CAD drawings into the overall design of your electrical system.

Performance Data **HF13 395 CFM (671 m<sup>3</sup>/hr.) Side-Mount Filter Fans - Standard and Reverse**

<b>ELECTRICAL DATA</b>						
<b>Rated Voltage</b>	<b>115</b>	<b>230</b>	<b>24*</b>	<b>48*</b>	<b>115 Rvrs</b>	<b>230 Rvrs</b>
Frequency (Hz)	50/60	50/60	—	—	50/60	50/60
Nominal Current Maximum (Amps)	.76/.88	.34/.37	2.6	1.12	.76/.88	.34/.37
Power Consumption Maximum (Watts)	65/72	74/80	55	54	65/72	74/80
Power Connection	Terminal Block					
<b>TYPE 12 / IP54 FILTER FANS</b>						
RAL 7035 Light Gray:						
Catalog Number	<b>HF1316414</b>	<b>HF1326414</b>	<b>HF1324414</b>	<b>HF1348414</b>	<b>HF1316414R</b>	<b>HF1326414R</b>
RAL 9011 Black:						
Catalog Number	<b>HF1316413</b>	<b>HF1326413</b>	<b>HF1324413</b>	<b>HF1348413</b>	<b>HF1316413R</b>	<b>HF1326413R</b>
Free Airflow (CFM / m <sup>3</sup> /hr.)	395/671	395/671	395/671	395/671	395/671	395/671
Airflow with 1 Exhaust Grille (CFM / m <sup>3</sup> /hr.)	281/477	281/477	281/477	281/477	281/477	281/477
Airflow with 2 Exhaust Grilles (CFM / m <sup>3</sup> /hr.)	366/621	366/621	366/621	366/621	366/621	366/621
<b>TYPE 12 / IP55 FILTER FANS</b>						
RAL 7035 Light Gray:						
Catalog Number	<b>HF1316514</b>	<b>HF1326514</b>	<b>HF1324514</b>	<b>HF1348514</b>	<b>HF1316514R</b>	<b>HF1326514R</b>
RAL 9011 Black:						
Catalog Number	<b>HF1316513</b>	<b>HF1326513</b>	<b>HF1324513</b>	<b>HF1348513</b>	<b>HF1316513R</b>	<b>HF1326513R</b>
Free Airflow (CFM / m <sup>3</sup> /hr.)	149/253	149/253	149/253	149/253	149/253	149/253
Airflow with 1 Exhaust Grille (CFM / m <sup>3</sup> /hr.)	100/170	100/170	100/170	100/170	100/170	100/170
Airflow with 2 Exhaust Grilles (CFM / m <sup>3</sup> /hr.)	113/192	113/192	113/192	113/192	113/192	113/192
<b>FILTER FAN UNIT CONSTRUCTION</b>						
Fan RPM	2600/3000	2600/3000	2950	2950	2600/3000	2600/3000
Sound Pressure (dBA at 50/60 Hz)	57/59	57/59	57/59	57/59	57/59	57/59
Operating Temperature Range:						
Maximum (°F / °C)	131/55	131/55	135/55	135/55	131/55	131/55
Minimum (°F / °C)	14/-10	14/-10	14/-10	14/-10	14/-10	14/-10
Service Life (hours) at 40 C	59,000	59,000	57,000	57,000	59,000	57,000
Unit Dimensions - H x W x D (in. / mm)	12.8 x 12.82 x 6.30/325 x 326 x 160					
Cutout Dimensions - H x W (in. / mm)	11.5 x 11.5/292 x 292					
Weight (lb. / kg)	4.25/1.90					
<b>TYPE 12 / IP54 EXHAUST GRILLES</b>						
RAL 7035 Light Gray:						
Catalog Number	<b>HG1300404</b>	<b>HG1300404</b>	<b>HG1300404</b>	<b>HG1300404</b>	<b>HG1300404</b>	<b>HG1300404</b>
RAL 9011 Black:						
Catalog Number	<b>HG1300403</b>	<b>HG1300403</b>	<b>HG1300403</b>	<b>HG1300403</b>	<b>HG1300403</b>	<b>HG1300403</b>
<b>TYPE 12 / IP55 EXHAUST GRILLES</b>						
RAL 7035 Light Gray:						
Catalog Number	<b>HG1300504</b>	<b>HG1300504</b>	<b>HG1300504</b>	<b>HG1300504</b>	<b>HG1300504</b>	<b>HG1300504</b>
RAL 9011 Black:						
Catalog Number	<b>HG1300503</b>	<b>HG1300503</b>	<b>HG1300503</b>	<b>HG1300503</b>	<b>HG1300503</b>	<b>HG1300503</b>
<b>ACCESSORIES</b>						
Replacement Filters:						
Type 12 / IP54 Catalog Number	<b>89134427R</b>	<b>89134427R</b>	<b>89134427R</b>	<b>89134427R</b>	<b>89134427R</b>	<b>89134427R</b>
Type 12 / IP55 Catalog Number	<b>89136411R</b>	<b>89136411R</b>	<b>89136411R</b>	<b>89136411R</b>	<b>89136411R</b>	<b>89136411R</b>
Thermostat Catalog Number	<b>THERM16F</b>	<b>THERM16F</b>	—	—	<b>THERM16F</b>	<b>THERM16F</b>
	<b>THERM16C</b>	<b>THERM26C</b>			<b>THERM16C</b>	<b>THERM26C</b>
Shroud Catalog Number	<b>HH13GS35001, HH13GS61001, HH13SS04001</b>					

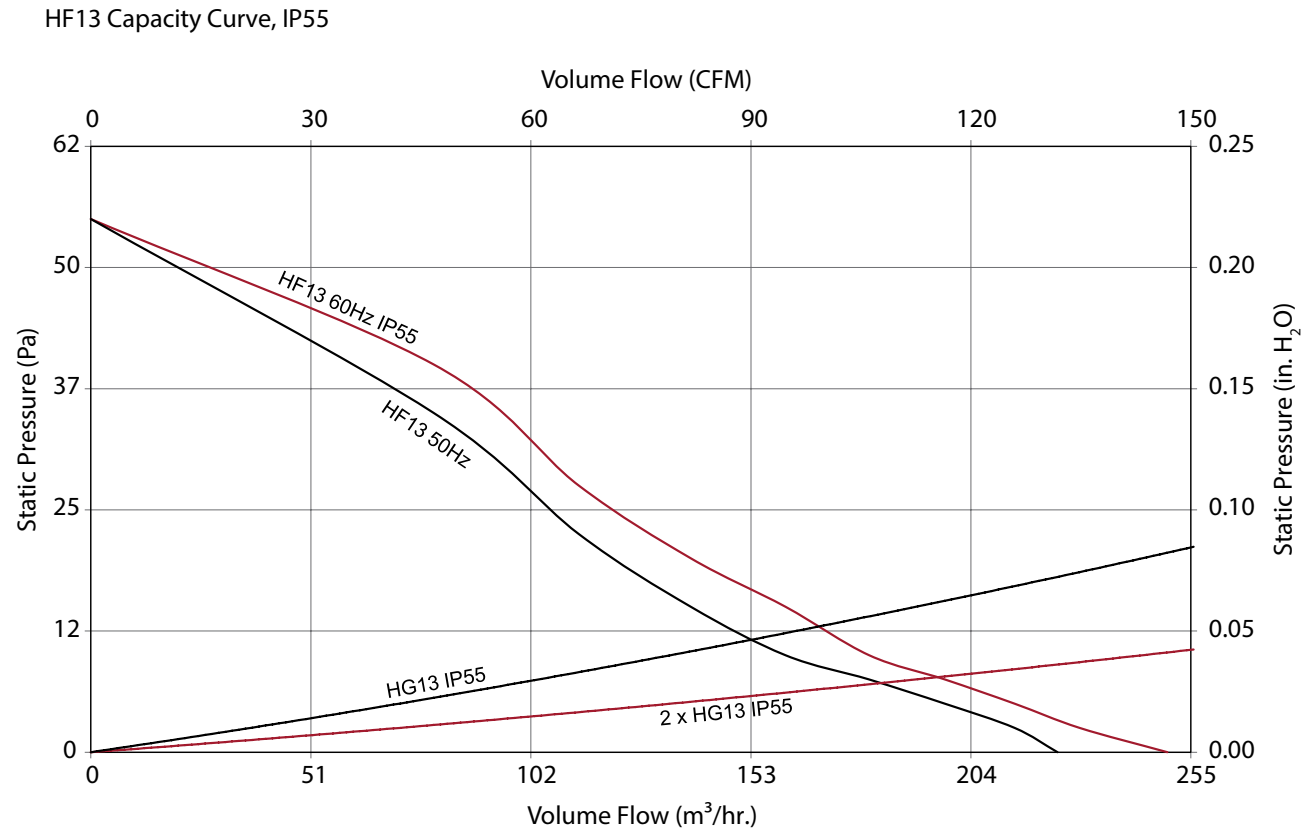
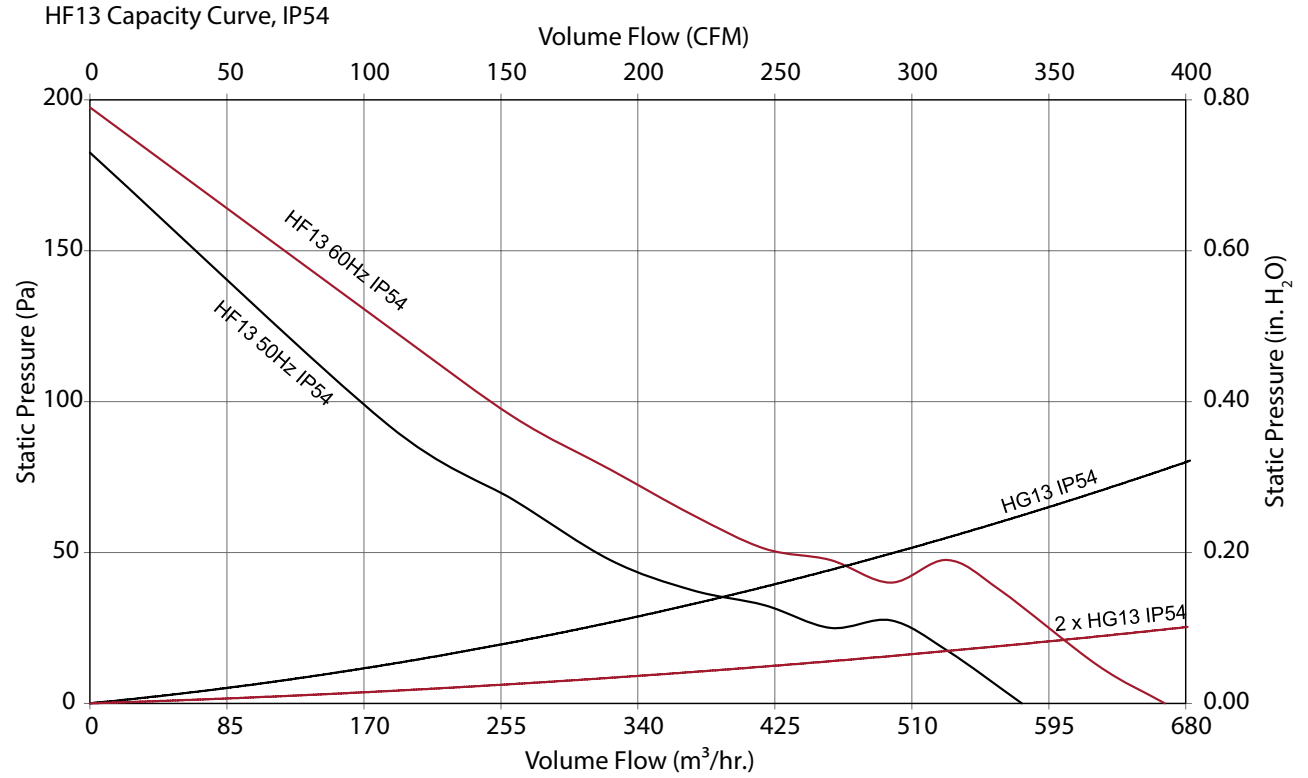
Above airflow rates at 60 Hz; see performance curves for airflow at 50 Hz and more details.

Unit depth is from the back edge of the grille to the back of the fan.

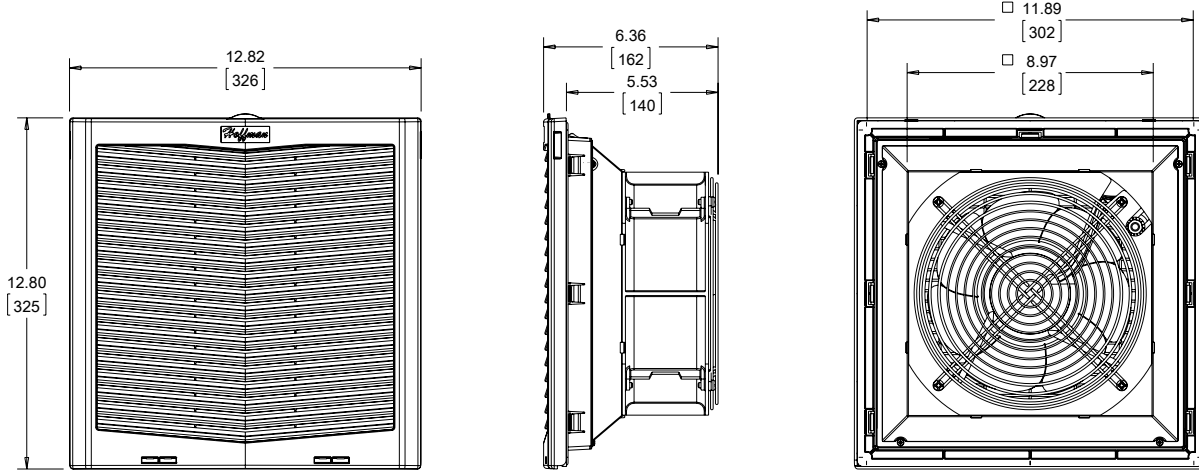
Exhaust Grilles sold separately.

\* This indicates a DC Voltage.

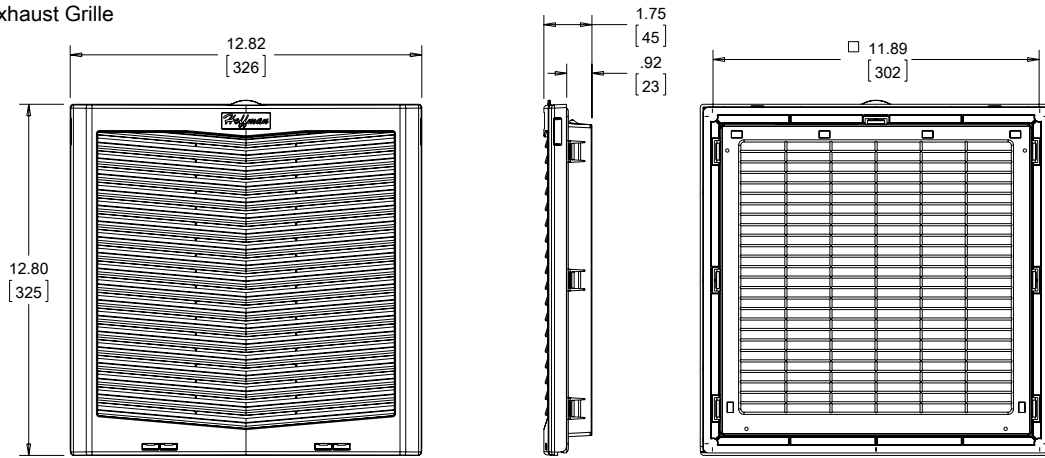
### Performance Curves for HF13 Models 395 CFM (671 m<sup>3</sup>/hr.) Side-Mount Filter Fans



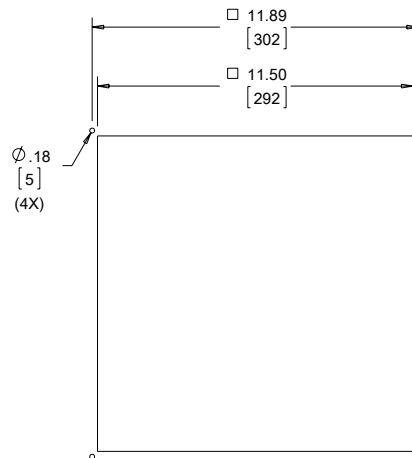
HF13 395 CFM (671 m³/hr.) Side-Mount Filter Fans - Standard and Reverse



Exhaust Grille



89140586



Cutout Dimensions

Visit [www.PentairProtect.com](http://www.PentairProtect.com) to download 2D and 3D CAD drawings into the overall design of your electrical system.



**Performance Data HF13 484 CFM (822 m<sup>3</sup>/hr.) Side-Mount Filter Fans - Standard**

<b>ELECTRICAL DATA</b>			
<b>Rated Voltage</b>	<b>115</b>	<b>230</b>	<b>24*</b>
Frequency (Hz)	50/60	50/60	—
Nominal Current Maximum (Amps)	1.08/1.18	.50/.60	5.0
Power Consumption Maximum (Watts)	112/148	119/158	105
Power Connection	Terminal Block		
<b>TYPE 12 / IP54 FILTER FANS</b>			
RAL 7035 Light Gray:			
Catalog Number	<b>HF1316424</b>	<b>HF1326424</b>	<b>HF1324424</b>
RAL 9011 Black:			
Catalog Number	<b>HF1316423</b>	<b>HF1326423</b>	<b>HF1324423</b>
Free Airflow (CFM / m <sup>3</sup> /hr.)	484/822	484/822	484/822
Airflow with 1 Exhaust Grille (CFM / m <sup>3</sup> /hr.)	417/708	417/708	417/708
Airflow with 2 Exhaust Grilles (CFM / m <sup>3</sup> /hr.)	442/751	442/751	442/751
<b>TYPE 12 / IP55 FILTER FANS</b>			
RAL 7035 Light Gray:			
Catalog Number	<b>HF1316524</b>	<b>HF1326524</b>	<b>HF1324524</b>
RAL 9011 Black:			
Catalog Number	<b>HF1316523</b>	<b>HF1326523</b>	<b>HF1324523</b>
Free Airflow (CFM / m <sup>3</sup> /hr.)	197/335	197/335	197/335
Airflow with 1 Exhaust Grille (CFM / m <sup>3</sup> /hr.)	155/263	155/263	155/263
Airflow with 2 Exhaust Grilles (CFM / m <sup>3</sup> /hr.)	175/297	175/297	175/297
<b>FILTER FAN UNIT CONSTRUCTION</b>			
Fan RPM	2550/2850	2550/2850	2750
Sound Pressure (dBA at 50/60 Hz)	67/70	67/70	70
Operating Temperature Range:			
Maximum (°F / °C)	131 / 55	131 / 55	131 / 55
Minimum (°F / °C)	14 / -10	14 / -10	14 / -10
Service Life (hours)	59,000	59,000	57,000
Unit Dimensions - H x W x D (in. / mm)	12.8 x 12.82 x 6.30/325 x 326 x 160		
Cutout Dimensions - H x W (in. / mm)	11.50 x 11.50/292 x 292		
Weight (lb. / kg)	4.32/1.96		
<b>TYPE 12 / IP54 EXHAUST GRILLES</b>			
RAL 7035 Light Gray:			
Catalog Number	<b>HG1300404</b>	<b>HG1300404</b>	<b>HG1300404</b>
RAL 9011 Black:			
Catalog Number	<b>HG1300403</b>	<b>HG1300403</b>	<b>HG1300403</b>
<b>TYPE 12 / IP55 EXHAUST GRILLES</b>			
RAL 7035 Light Gray:			
Catalog Number	<b>HG1300504</b>	<b>HG1300504</b>	<b>HG1300504</b>
RAL 9011 Black:			
Catalog Number	<b>HG1300503</b>	<b>HG1300503</b>	<b>HG1300503</b>
<b>ACCESSORIES</b>			
Replacement Filters:			
Type 12 / IP54 Catalog Number	<b>89134427R</b>	<b>89134427R</b>	<b>89134427R</b>
Type 12 / IP55 Catalog Number	<b>89136411R</b>	<b>89136411R</b>	<b>89136411R</b>
Thermostat Catalog Number	<b>THERM16F, THERM16C</b>	<b>THERM16F, THERM26C</b>	—
Shroud Catalog Number	<b>HH13GS35001, HH13GS61001, HH13SS04001</b>		

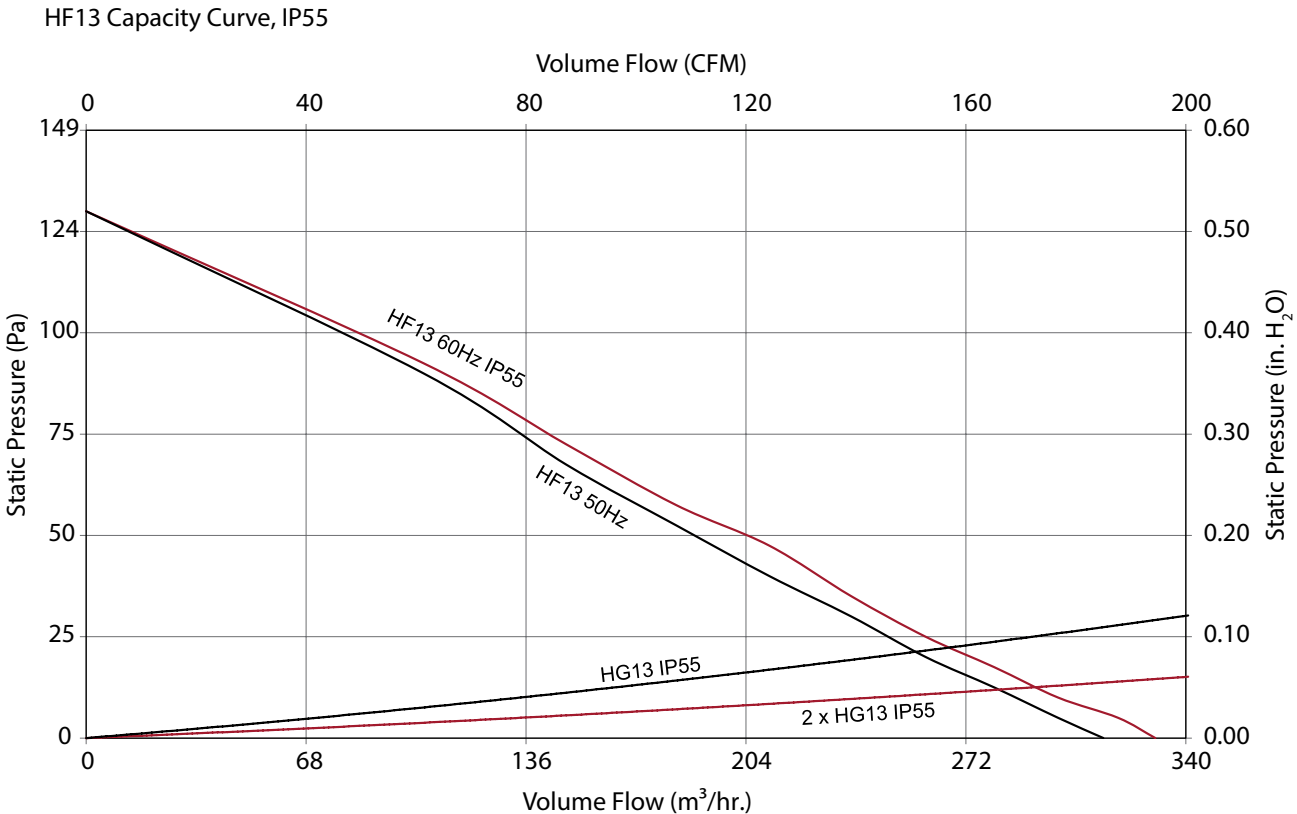
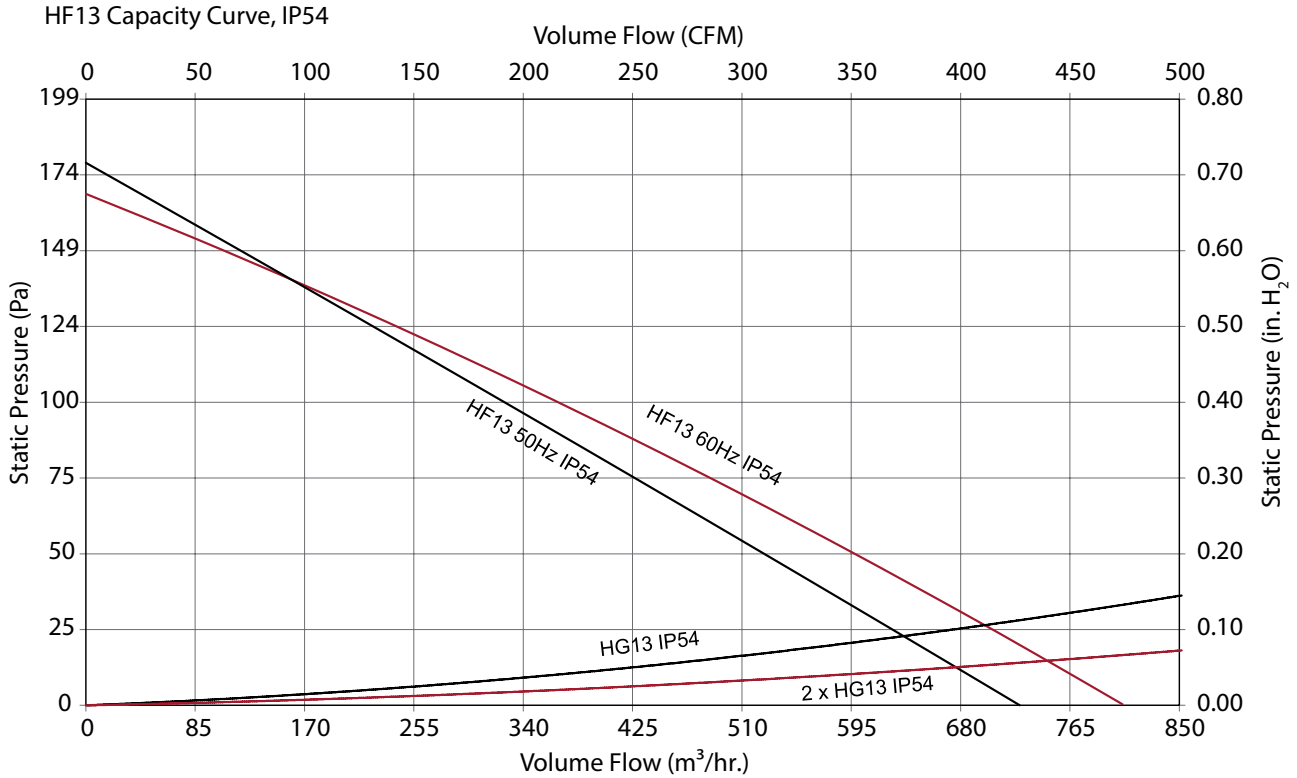
Above airflow rates at 60 Hz; see performance curves for airflow at 50 Hz and more details.

Unit depth is from the back edge of the grille to the back of the fan.

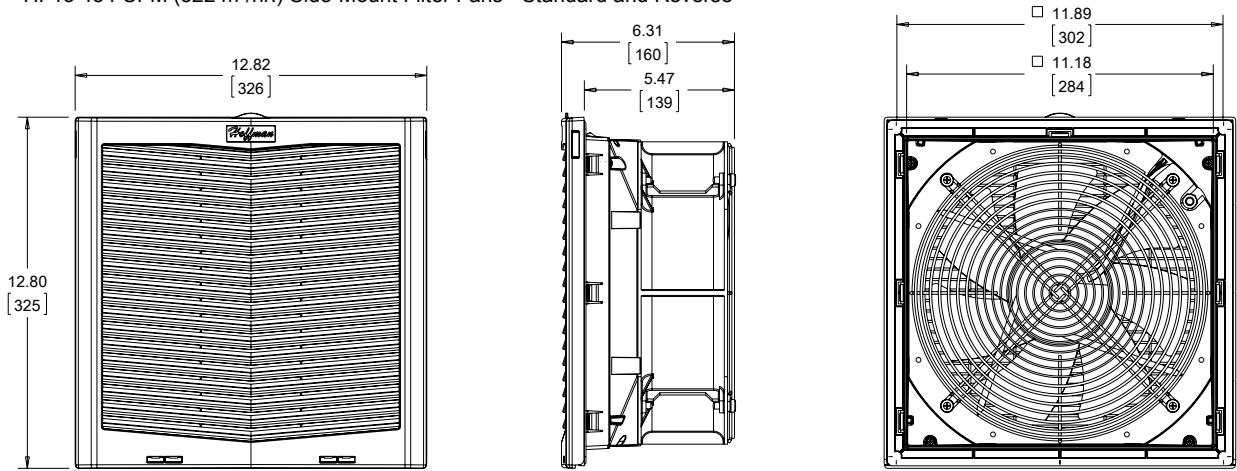
Exhaust Grilles sold separately.

\* This indicates a DC Voltage.

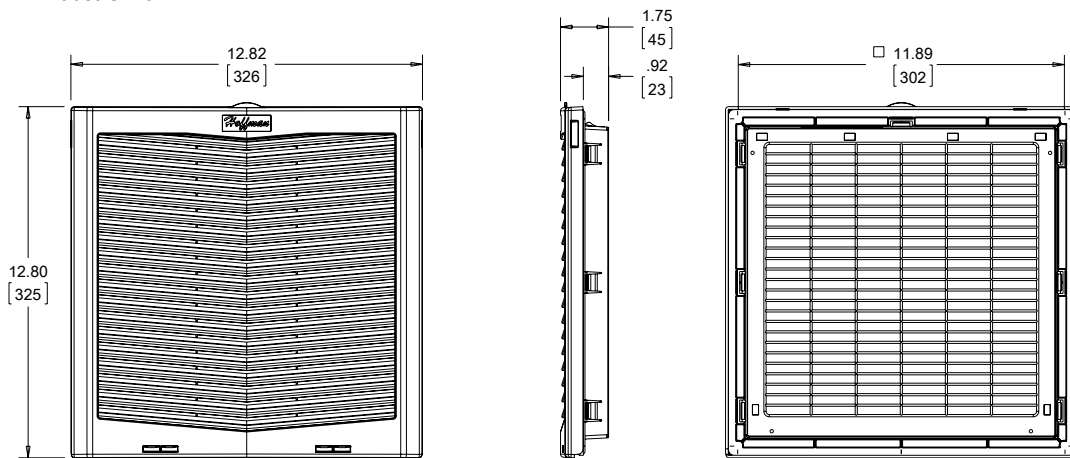
### Performance Curves for HF13 Models 484 CFM (822 m<sup>3</sup>/hr.) Side-Mount Filter Fans



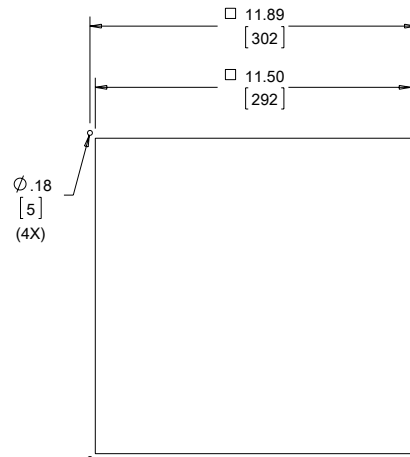
HF13 484 CFM (822 m<sup>3</sup>/hr.) Side-Mount Filter Fans - Standard and Reverse



Exhaust Grille



89140587



Cutout Dimensions

Visit [www.PentairProtect.com](http://www.PentairProtect.com) to download 2D and 3D CAD drawings into the overall design of your electrical system.

Performance Data **HF13 484 CFM (822 m<sup>3</sup>/hr.) Side-Mount Filter Fans - Reverse**

<b>ELECTRICAL DATA</b>		
<b>Rated Voltage</b>	<b>115 Rvrs</b>	<b>230 Rvrs</b>
Frequency (Hz)	50/60	50/60
Nominal Current Maximum (Amps)	1.05/1.5	.51/.70
Power Consumption Maximum (Watts)	112/148	119/158
Power Connection	Terminal Block	
<b>TYPE 12 / IP54 FILTER FANS</b>		
RAL 7035 Light Gray:		
Catalog Number	<b>HF1316424R</b>	<b>HF1326424R</b>
RAL 9011 Black:		
Catalog Number	<b>HF1316423R</b>	<b>HF1326423R</b>
Free Airflow (CFM / m <sup>3</sup> /hr.)	484/822	484/822
Airflow with 1 Exhaust Grille (CFM / m <sup>3</sup> /hr.)	417/708	417/708
Airflow with 2 Exhaust Grilles (CFM / m <sup>3</sup> /hr.)	442/751	442/751
<b>FILTER FAN UNIT CONSTRUCTION</b>		
Fan RPM	2550/2850	2550/2850
Sound Pressure (dBA at 50/60 Hz)	67/70	67/70
Operating Temperature Range:		
Maximum (°F / °C)	131/55	131/55
Minimum (°F / °C)	14/-10	14/-10
Service Life (hours)	59,000	59,000
Unit Dimensions - H x W x D (in. / mm)	12.8 x 12.82 x 6.30/325 x 326 x 160	
Cutout Dimensions - H x W (in. / mm)	11.50 x 11.50/292 x 292)	
Weight (lb. / kg)	4.32/1.96	
<b>TYPE 12 / IP54 EXHAUST GRILLES</b>		
RAL 7035 Light Gray:		
Catalog Number	<b>HG1300404</b>	<b>HG1300404</b>
RAL 9011 Black:		
Catalog Number	<b>HG1300403</b>	<b>HG1300403</b>
<b>TYPE 12 / IP55 EXHAUST GRILLES</b>		
RAL 7035 Light Gray:		
Catalog Number	<b>HG1300504</b>	<b>HG1300504</b>
RAL 9011 Black:		
Catalog Number	<b>HG1300503</b>	<b>HG1300503</b>
<b>ACCESSORIES</b>		
Replacement Filters:		
Type 12/IP54 Catalog Number	<b>89134427R</b>	<b>89134427R</b>
Type 12 / IP55 Catalog Number	<b>89136411R</b>	<b>89136411R</b>
Thermostat Catalog Number	<b>THERM16F, THERM16C</b>	<b>THERM16F, THERM26C</b>
Shroud Catalog Number	<b>HH13GS35001, HH13GS61001, HH13SS04001</b>	

Above airflow rates at 60 Hz; see performance curves for airflow at 50 Hz and more details.

Unit depth is from the back edge of the grille to the back of the fan.

Exhaust Grilles sold separately.