

METER-RITE® Grade Level Double-throw Switches

062015

MANUAL, NOT FUSIBLE – QUICK-BREAK/QUICK-MAKE
 METER-RITE® switches listed below are rated 100% capacity, continuous duty

	Catalog Number	Approx Weight (lbs)	DPDT - Double Pole – Double Throw TPDT - Triple Pole – Double Throw
Single Phase (240 Vac) UL Listed	7103	13	DPDT with 100 amp main contacts, 100 amp aux contacts
	7205A	35	DPDT with 200 amp main contacts, 200 amp aux contacts
	7406	48	DPDT with 400 amp main contacts, 400 amp aux contacts
Single Phase (240 Vac) with “Center-Off” Position UL Listed & SUSE Rated	7215	48	DPDT with 200 amp main contacts, 200 amp aux contacts
	7416	48	DPDT with 400 amp main contacts, 400 amp aux contacts
Three Phase (240 Vac) UL Listed	7805	56	TPDT with 200 amp main contacts, 200 amp aux contacts
	7806	56	TPDT with 400 amp main contacts, 400 amp aux contacts
Three Phase (240 Vac) with “Center-Off” Position UL Listed & SUSE Rated	7815	56	TPDT with 200 amp main contacts, 200 amp aux contacts
	7816	56	TPDT with 400 amp main contacts, 400 amp aux contacts
Single Phase (600 Vac) Non-UL & Not-SUSE	T-5233-6	184	DPDT with 800 amp main contacts, 600 amp aux contacts
Three Phase (600 Vac) Non-UL & Not-SUSE	7800-6	56	TPDT with 200 amp main contacts, 200 amp aux contacts
	7808-6	56	TPDT with 400 amp main contacts, 400 amp aux contacts
	T-6233-6	197	TPDT with 800 amp main contacts, 600 amp aux contacts

Caution: Do not switch between sources with motor loads operating.
 SUSE – Suitable for Use as Service Equipment

Catalog Number	Conduit Knockout Sizes and Hub Type
7103	(3) 1 to 1-1/4, (1) 1/2
7205A	(3) 1-1/2 to 2, (1) 1/2
7406	(2) 2-1/2 to 3, (1) 1-1/2 to 2, (1) 1/2
7215	(3) 1-1/2 to 2, (1) 1/2
7416	(2) 2-1/2 to 3, (1) 1-1/2 to 2, (1) 1/2
7805	(4) 2 to 2-1/2, (1) 1/2
7806	(3) 3 to 3-1/2, (1) 2 to 2-1/2, (1) 1/2
7815	(4) 2 to 2-1/2, (1) 1/2
7816	(3) 3 to 3-1/2, (1) 2 to 2-1/2, (1) 1/2
T-5233-6	No Knockouts in Enclosure
7800-6	(4) 2 to 2-1/2, (1) 1/2
7808-6	(3) 3 to 3-1/2, (1) 2 to 2-1/2, (1) 1/2
T-6233-6	No Knockouts in Enclosure

All knockouts are on bottom of switches.
 Hubs are top mounted for overhead wiring unless noted above.



Sales Information: 1-800-221-7665 • **Service and Support:** 1-217-563-8333

PO Box 160, 106 E State Street, Nokomis, IL 62075-0160 • sales@ronkelectrical.com • www.ronkelectrical.com

METER-RITE® Grade Level Double-throw Switches

062015

Dimensions of NEMA 3R Enclosures

Figure 1

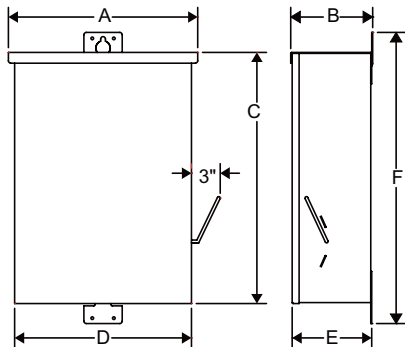
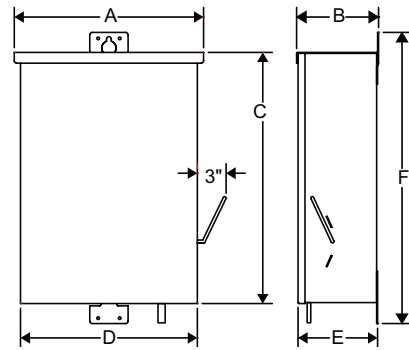


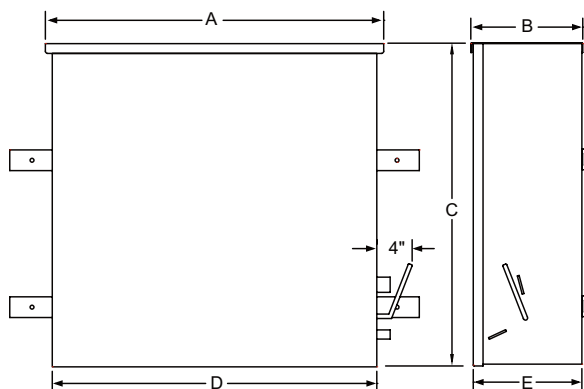
Figure 2



Catalog Number	Wire Range	Figure #	A	B	C	D	E	F
7103	J	1	12	6-1/2	12-7/8	11-3/8	6-1/4	17-5/8
7205A	A	1	16-3/4	8-9/16	24-1/4	15-1/2	8-5/16	29
7215	A	2	19-3/4	8-9/16	26-1/4	18-1/2	8-5/16	31
7406	C	1	19-3/4	8-9/16	26-1/4	18-1/2	8-5/16	31
7416	C	2	19-3/4	8-9/16	26-1/4	18-1/2	8-5/16	31
7805	B	1	25-3/4	8-9/16	26-1/4	24-1/2	8-5/16	31
7800-6	F	1	25-3/4	8-9/16	26-1/4	24-1/2	8-5/16	31
7815	B	2	25-3/4	8-9/16	26-1/4	24-1/2	8-5/16	31
7806	D	1	25-3/4	8-9/16	26-1/4	24-1/2	8-5/16	31
7808-6	H	1	25-3/4	8-9/16	26-1/4	24-1/2	8-5/16	31
7816	D	2	25-3/4	8-9/16	26-1/4	24-1/2	8-5/16	31

Wire Range	Line/Auxiliary Lugs	Load Lugs	Neutral Bar
A & B	250 MCM - #6 CU-AL (1-Hole Lug)	250 MCM - #6 CU-AL (4-Hole Lug)	350 MCM - #6 CU-AL (4-Hole Bar)
C & D	(2) 250 MCM - 1/0 or (1) 600 MCM - #4 CU-AL (1-Hole Lug)	250 MCM - #6 CU-AL (4-Hole Lug)	350 MCM - #6 CU-AL (6-Hole Bar)
F	250 MCM - #6 CU-AL (1-Hole Lug)	250 MCM - #6 CU-AL (1-Hole Lug)	350 MCM - #6 CU-AL (4-Hole Bar)
H	(2) 250 MCM - 1/0 or (1) 600 MCM - #4 CU-AL (1-Hole Lug)	(2) 250 MCM - 1/0 or (1) 600 MCM - #4 CU-AL (1-Hole Lug)	350 MCM - #6 CU-AL (6-Hole Bar)
J	1/0 - #14 CU-AL (1-Hole Lug)	1/0 - #14 CU-AL (1-Hole Lug)	1/0 - #14 CU-AL (3-Hole Lug)

Other load lug and neutral configurations available. Contact RONK for more information



800 Amp

Catalog Number T-5233-6, T-6233-6

A	B	C	D	E
38	12-1/2	36-1/4	36-1/2	12-1/4
Wire Range				
Line Lugs		Load Lugs		
750 MCM - 500 MCM CU-AL (2-Hole Lug)		600 MCM - #2 CU-AL (3-Hole Lug)		
Auxiliary Lugs		Neutral Bar		
350 MCM - #4 CU-AL (2-Hole Lug)		600 MCM - #6 CU-AL (6-Hole Bar)		

RONK

Sales Information: 1-800-221-7665 • Service and Support: 1-217-563-8333

PO Box 160, 106 E State Street, Nokomis, IL 62075-0160 • sales@ronkelectrical.com • www.ronkelectrical.com