

Job Name/Location:

Tag #:

Date:

For:	File	Resubmit
	Approval	Other_____

PO No.:

Architect: _____ GC: _____

Engr: _____ Mech: _____

Rep: _____
(Company) (Project Manager)



LD187HHV4

Single Zone Low Static Ducted with LGRed^o

Outdoor Unit (ODU) - LUU180HHV, Indoor Unit (IDU) - LDN187HV4

Performance:

Cooling:

Cooling (Min~Rated~Max, Btu/h)	7,200 ~ 18,000 ~ 22,000
SEER	18.8
EER	12.5

SEER - Seasonal Energy Efficiency Ratio

EER - Energy Efficiency Ratio

Heating:

Heating (Min~Rated~Max, Btu/h)	6,800 ~ 20,000 ~ 24,000
HSPF	10
Max. Heating @ Indoor 70°F DB (Btu/h)	
Outdoor 17°F WB	22,550
Outdoor 5°F WB	20,000
Outdoor -4°F WB	17,970
Outdoor -13°F WB	15,990

HSPF - Heating Seasonal Performance Factor

Cooling Nominal Test Conditions:

Indoor: 80°F DB / 67°F WB

Outdoor: 95°F DB / 75°F WB

Heating Nominal Test Conditions:

Indoor: 70°F DB / 60°F WB

Outdoor: 47°F DB / 43°F WB

Electrical:

Power Supply ¹ (V/Hz/Ø)	208-230/60/1
MOP (A)	30
MCA (A)	22
Cooling / Heating Rated Amps (A)	6.4 / 8.1
Compressor (A)	14.5
Fan Motor (IDU + ODU) (A)	2.2
Locked Rotor Amps (A)	23
Cooling Power Input (Min~Rated~Max, kW)	0.51 ~ 1.44 ~ 2.00
Heating Power Input (Min~Rated~Max, kW)	0.47 ~ 1.82 ~ 2.50

MOP - Maximum Overcurrent Protection

MCA - Minimum Circuit Ampacity

Piping:

Installed Liquid Pipe (in., O.D.)	3/8
Installed Vapor Pipe (in., O.D.)	5/8
IDU Liquid Connection (in., O.D.)	1/4
IDU Vapor Connection (in., O.D.)	1/2
Additional Refrigerant (oz./ft.)	0.43
Min. / Max. Pipe Length ² (ft.)	16.4 / 164
Piping Length (no add'l refrig., ft.)	24.9
Max. Elevation (ft.)	98.4

Features:

- ESP control
- Hot start
- Condensate Pump
- Inverter (variable speed)
- ODU drain pan heater
- IDU compatible with Multi F ODUs
- Smart Diagnosis
- Optional Wi-Fi control
- Auto restart
- Control lock
- Group control
- Timer (on/off)
- Sleep Mode

Required Accessories (sold separately):

Controller (Any LG wired remote controller)

Optional Accessories:

- MultiSITE™ CRC1 - PREMTBVC0
- MultiSITE CRC1+ - PREMTBVC1
- MultiSITE Comm. Mgr. - PBACNBTR0A
- PI-485 - PMNFP14A1
- Dry Contact - PDRYCB320
- Wi-Fi Module - PWFMD200
- Low Ambient Wind Baffle (Cooling operation to -4°F) - ZLABGP04A
- Simple Controller with Mode (White) PQRVCLOQW

For a complete list of available accessories, contact your LG representative.

For continual product development, LG reserves the right to change specifications without notice.

© LG Electronics U.S.A., Inc., Englewood Cliffs, NJ. All rights reserved. "LG Life's Good" is a registered trademark of LG Corp. /www.lghvac.com

Operating Range:

Outdoor Unit:

Cooling (°F DB)	5 ~ 118
Heating (°F WB)	-13 ~ 64

Indoor Unit:

Cooling (°F WB)	57 ~ 77
Heating (°F DB)	59 ~ 81

System Data:

Refrigerant Type	R410A
Refrigerant Control	EEV
Refrigerant Charge (lbs.)	4.4
ODU Sound Pressure ³ (Cooling / Heating) ±1 dB(A)	51 / 52
IDU Sound Pressure ³ (Cooling / Heating) ±1 dB(A)	36 / 34 / 31
ODU Net / Shipping Weight (lbs.)	133.4 / 144.4
IDU Net / Shipping Weight (lbs.)	48.5 / 57.3
Heat Exchanger Coating	GoldFin™

Fan:

ODU Type	Propeller
IDU Type	Sirocco
Fan Speeds (Fan/Cool/Heat)	3 / 3 / 3
Fan Quantity (ODU + IDU)	1 + 3
Motor/Drive	Brushless Digitally Controlled/Direct
Maximum ODU Air Volume (CFM)	2,048
IDU Air Volume H/M/L (CFM)	530 / 441 / 353
Dehumidification (pts./hr.)	3.84
IDU External Static Pressure (ESP)	
Operating Range (Min ~ Default ~ Max) (in wg)	0.0 ~ 0.1 ~ 0.2

Notes:

1. Acceptable operating voltage: 187V-253V.
2. Piping lengths are equivalent.
3. Sound Pressure levels are tested in an anechoic chamber under ISO Standard 3745.
4. All communication / connection (power) cable from the outdoor unit to the indoor unit is field supplied and is to be minimum four-conductor, 18 AWG, stranded, shielded or unshielded (if shielded, it must be grounded to the chassis of the outdoor unit only), and must comply with applicable local and national codes.
5. See Engineering Manual for sensible and latent capacities.
6. Power wiring cable must comply with the applicable local and national code.
7. The indoor unit comes with a dry helium charge.
8. This data is rated 0 ft. above sea level, with 24.6 ft. of refrigerant line and a 0 ft. level difference between outdoor and indoor units.
9. Must follow installation instructions in the applicable LG installation manual.
10. Multi compatible 18k IDUs include socket adapters for refrigerant pipe connections with Single Zone systems.



LD187HHV4

Single Zone Low Static Ducted with LGRed°

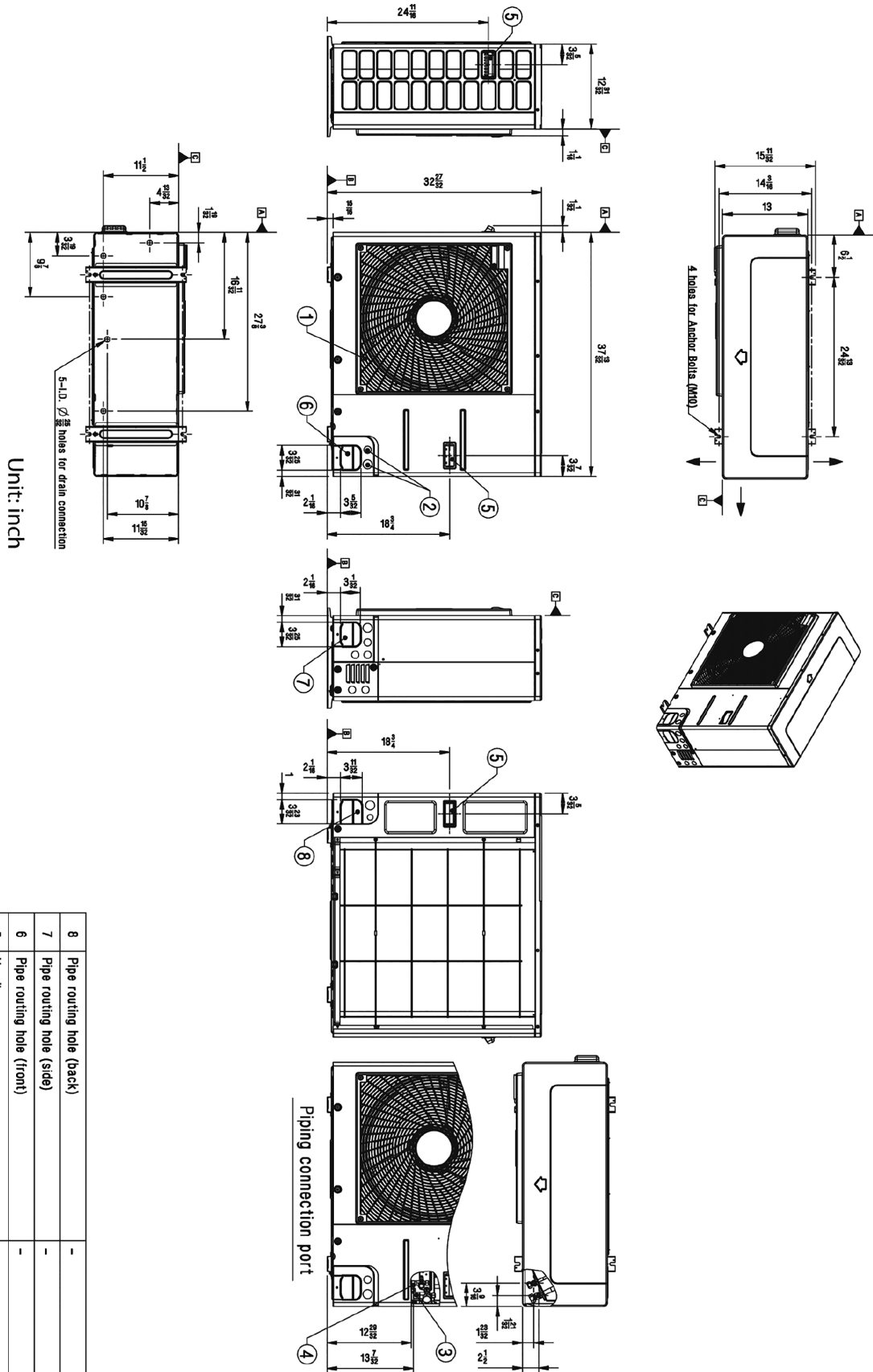
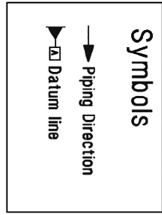
Outdoor Unit (ODU) - LUU180HHV, Indoor Unit (IDU) - LDN187HV4



Tag No.: _____

Date: _____

PO No.: _____



No.	Part Name	Description
1	Air Outlet	-
2	Power and communication cable Hole	-
3	Gas Pipe Connection	Flare joint
4	Liquid Pipe Connection	Flare joint
5	Handle	-
6	Pipe routing hole (front)	-
7	Pipe routing hole (side)	-
8	Pipe routing hole (back)	-

Job Name/Location: _____

LD187HHV4

Single Zone Low Static Ducted with LGRed°

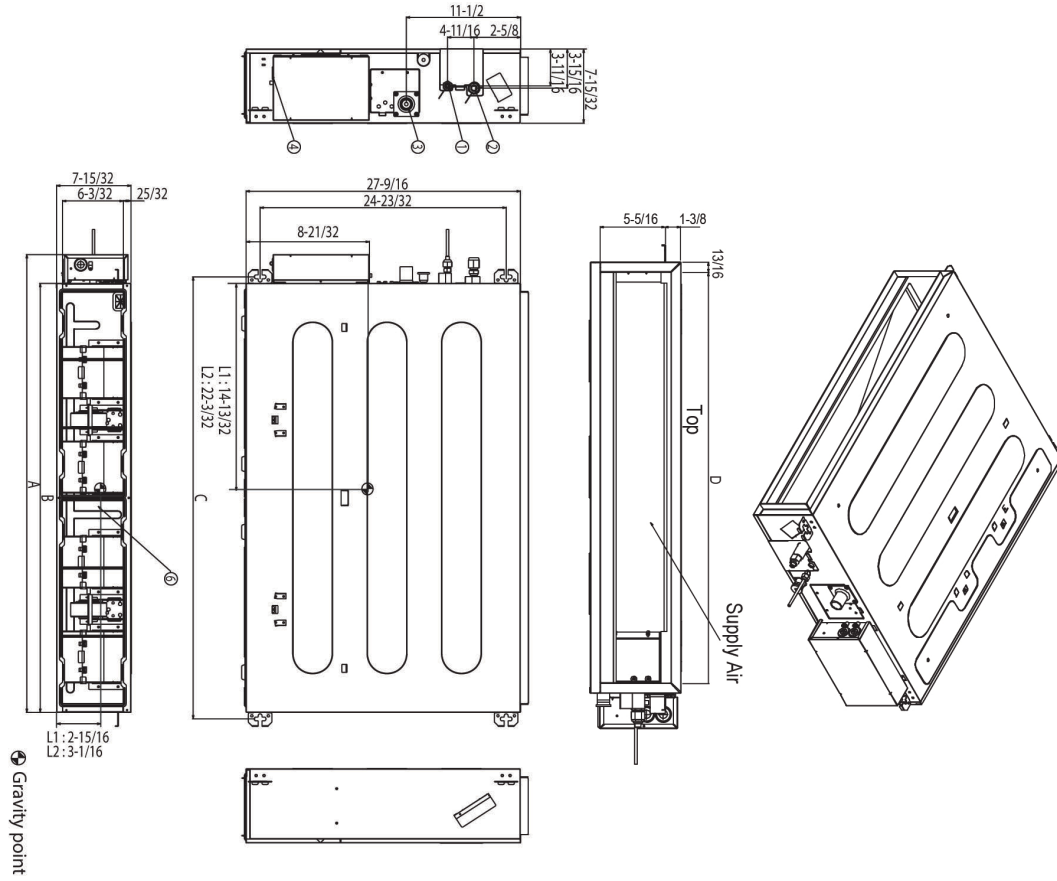
Outdoor Unit (ODU) - LUU180HHV, Indoor Unit (IDU) - LDN187HV4



Tag No.: _____

Date: _____

PO No.: _____



Number	Name	Description
1	Liquid pipe connection	
2	Gas pipe connection	
3	Drain pipe connection	
4	Power supply connection	
5	Air discharge	
6	Air suction	

(unit: inch)

Model Number	A	B	C	D
LDN187HV4	38-11/32	35-7/16	36-23/32	33-27/32

(unit: inch)