

Job Name/Location:

Tag #:

Date:

For: File Resubmit
 Approval Other _____

PO No.:

Architect:

GC:

Engr:

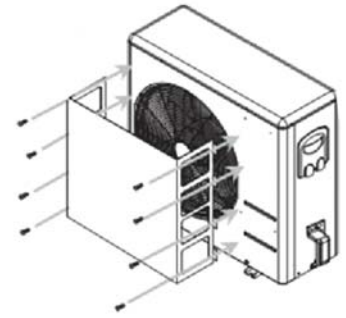
Mech:

Rep:

(Company)

(Project Manager)

ZLABGP03A
Low Ambient Wind Baffle Kit



Unit Data:

Net Unit Weight (lbs)	5
Shipping Weight (lbs)	8
Dimensions	21-1/4" x 21-1/4" x 7-15/16"

Fitting Properties:

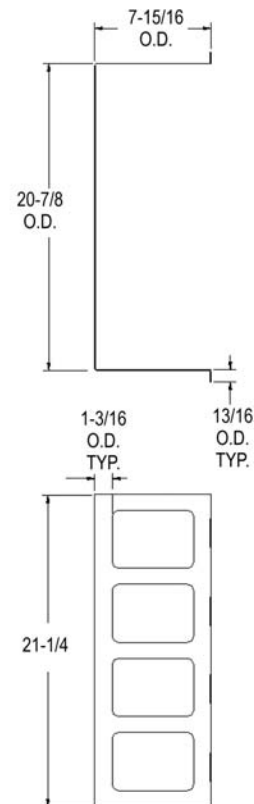
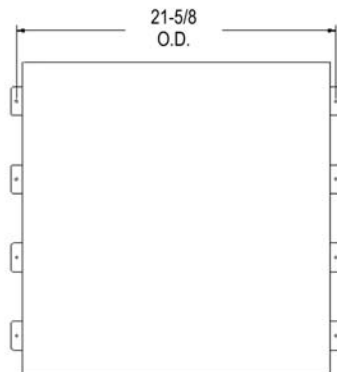
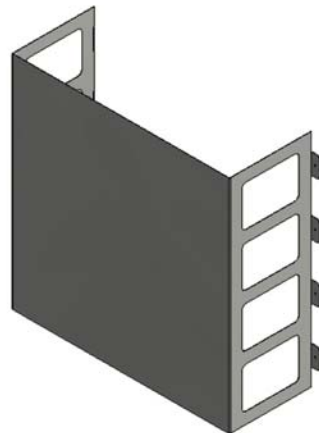
Color	Soft Dove Grey
Material	20 GA Paint Grip

Compatible Outdoor Units:

- LMU18CHV
- LMU24CHV

Standard Features:

- Allows operation down to 0°F in cooling mode
- Compatible outdoor units are equipped with necessary fan speed control
- 8 zinc plated pan head phillips screws #8 x 1/2"



Unit = inch

Note: All dimensions are rounded up to the nearest fraction.

For continual product development, LG reserves the right to change specifications without notice.

LG Electronics U.S.A., Inc., Englewood Cliffs, NJ. All rights reserved. "LG Life's Good" is a registered trademark of LG Corp. /www.lghvac.com