

INSTALLATION MANUAL AIR CONDITIONER

Type : Drain Pan Heater



ENGLISH



TIPS FOR SAVING ENERGY

Here are some tips that will help you minimize the power consumption when you use the air conditioner. You can use your air conditioner more efficiently by referring to the instructions below:

- Do not cool excessively indoors. This may be harmful for your health and may consume more electricity.
- Block sunlight with blinds or curtains while you are operating the air conditioner.
- Keep doors or windows closed tightly while you are operating the air conditioner.
- Adjust the direction of the air flow vertically or horizontally to circulate indoor air.
- Speed up the fan to cool or warm indoor air quickly, in a short period of time.
- Open windows regularly for ventilation as the indoor air quality may deteriorate if the air conditioner is used for many hours.
- Clean the air filter once every 2 weeks. Dust and impurities collected in the air filter may block the air flow or weaken the cooling / dehumidifying functions.

For your records

Staple your receipt to this page in case you need it to prove the date of purchase or for warranty purposes. Write the model number and the serial number here:

Model number : _____
 Serial number : _____
 You can find them on a label on the side of each unit.
 Dealer's name : _____
 Date of purchase : _____

- Be sure to switch off the unit before touching any electrical parts.
- Make sure that all wiring is secured, the specified wires are used, and that there is no strain on the terminal connections or wires.

Operation

- Unplug the unit if strange sounds, smell, or smoke comes from it. - Otherwise, it may cause electrical shock or a fire.
- Keep the flames away. - Otherwise, it may cause a fire.
- Take the power plug out if necessary, holding the head of the plug and do not touch it with wet hands. - Otherwise, it may cause a fire or electrical shock.
- Do not open the suction inlet of the indoor/outdoor unit during operation. - Otherwise, it may cause electrical shock and failure.
- Do not allow water to run into electrical parts. - Otherwise, it may cause the failure of machine or electrical shock.
- Never touch the metal parts of the unit when removing the filter. - They are sharp and may cause injury.
- When the product is submerged into water, always contact the service center. - Otherwise, it may cause a fire or electrical shock.
- Take care so that children may not step on the outdoor unit. - Otherwise, children may be seriously injured due to falling down.

CAUTION

Installation

- Install the product so that the noise or hot wind from the outdoor unit may not cause any damage to the neighbors. - Otherwise, it may cause dispute with the neighbors.
- Do not use an appliance for special purposes such as preserving animals, vegetables, precision machine, or art articles. - Otherwise, it may damage your properties.

Operation

- Use a soft cloth to clean. Do not use wax, thinner, or a strong detergent. - The appearance of the air conditioner may deteriorate, change color, or develop surface flaws.
- Do not use an appliance for special purposes such as preserving animals, vegetables, precision machine, or art articles. - Otherwise, it may damage your properties.
- Do not place obstacles around the flow inlet or outlet. - Otherwise, it may cause the failure of appliance or an accident.

Accessories

		LMU18CHV LMU24CHV	LMU30CHV LMU36CHV	LMU480HV LMU540HV
Drain pan Heater		1	1	1
Bracket		4	4	4
Installation Manual		1	1	1
Tie wrap		1	1	1
Screw		4	4	4
Extra screw		2	2	2
Information Label		1	1	1
Wiring diagram		1	1	1

Tools Required for Installation

- Ø 1/8" (ø3.2mm) drill
- Electric drill
- Screw Driver
- Nippers

IMPORTANT SAFETY INSTRUCTIONS

READ ALL INSTRUCTIONS BEFORE USING THE APPLIANCE.

Always comply with the following precautions to avoid dangerous situations and ensure peak performance of your product.

WARNING

It can result in serious injury or death when the directions are ignored

CAUTION

It can result in minor injury or product damage when the directions are ignored

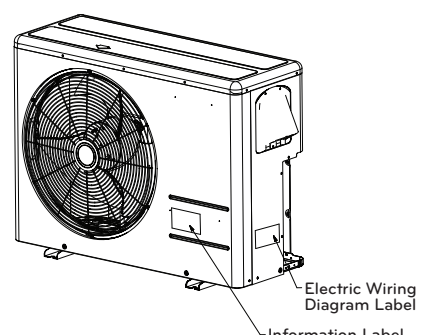
WARNING

- Installation or repairs made by unqualified persons can result in hazards to you and others.
- Installation of all field wiring and components MUST conform with local building codes or, in the absence of local codes, with the National Electrical Code 70 and the National Building Construction and Safety Code or Canadian Electrical code and National Building Code of Canada.
- The information contained in the manual is intended for use by a qualified service technician familiar with safety procedures and equipped with the proper tools and test instruments.
- Failure to carefully read and follow all instructions in this manual can result in equipment malfunction, property damage, personal injury and/or death.

Installation

- For installation of the product, always contact the service center or a professional installation agency. - Otherwise, it may cause a fire, electrical shock, explosion or injury.
- Securely attach the electrical part cover to the indoor unit and the service panel to the outdoor unit. - If the electrical part cover of the indoor unit and the service panel of the outdoor unit are not attached securely, it could result in a fire or electrical shock due to dust, water, etc.
- Always install an air leakage breaker and a dedicated switching board. - No installation may cause a fire and electrical shock.
- Ensure that an installation frame of the outdoor unit is not damaged due to use for a long time. - It may cause injury or an accident.
- Do not disassemble or repair the product randomly. - It will cause a fire or electrical shock.
- Do not install the product at a place that there is concern of falling down. - Otherwise, it may result in personal injury.
- Use caution when ununpacking and installing. - Sharp edges may cause injury.
- Carry out the specified installation work after taking into account earthquakes.
- Failure to do so during installation work may result in the unit falling and causing accidents.
- Make sure that a separate power supply circuit is provided for this unit and that all electrical work is carried out by qualified personnel according to local laws and regulations and this installation manual. An insufficient power supply capacity or improper electrical construction may lead to electric shocks or fire.

10. If the Panel is assembled, please attach below the labels as shown in the picture.



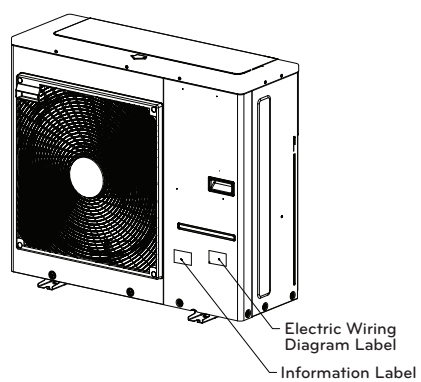
9

Installation Check(Electric test of the product)

- Check the following before powering on the unit.
 - Check whether the drain pan heater has been properly installed, wiring has been properly performed, and the removed components have been returned to the original positions.
 - Check the insulation resistance of the drain pan heater.
 - Use the tester (500 VDC) to check that the insulation resistance between L1 terminal and the ground terminal and between L2 terminal and the ground terminal is equal to or higher than 100MΩ
 - Check the continuity of the outdoor unit.
 - Use the tester to check that the continuity between the screw on the front panel and the ground terminal reads 0Ω
 - When there is no continuity, retighten the screws securing the front panel and the bottom frame to increase the area of contact with the screw. Then, carry out the continuity test again
- Check the following before powering on the unit.
 - Make sure that the wire is not touched by the fan.
 - Make sure that all of the Panel is assembled completely (If you don't, it may cause noise and vibration.)
 - Make sure that Connector of the heater is connected with the specified plug. (If you don't, it may cause malfunction)
- Operate the product and then check up on the product to work well.
 - After turning on the power, please check up on the product to work well.
 - Touch the bottom of the outdoor unit by hand and check the temperature. (If the outdoor temperature is higher than 32°F, the heater won't work; this is a safety precaution, not a failure.)

10

9. If the Panel is assembled, please attach below the labels as shown in the picture.



17

Installation Check(Electric test of the product)

- Check the following before powering on the unit.
 - Check whether the drain pan heater has been properly installed, wiring has been properly performed, and the removed components have been returned to the original positions.
 - Check the insulation resistance of the drain pan heater.
 - Use the tester (500 VDC) to check that the insulation resistance between L1 terminal and the ground terminal and between L2 terminal and the ground terminal is equal to or higher than 100MΩ
 - Check the continuity of the outdoor unit.
 - Use the tester to check that the continuity between the screw on the front panel and the ground terminal reads 0Ω
 - When there is no continuity, retighten the screws securing the front panel and the bottom frame to increase the area of contact with the screw. Then, carry out the continuity test again
- Check the following before powering on the unit.
 - Make sure that the wire is not touched by the fan.
 - Make sure that all of the Panel is assembled completely (If you don't, it may cause noise and vibration.)
 - Make sure that Connector of the heater is connected with the specified plug. (If you don't, it may cause malfunction)
- Operate the product and then check up on the product to work well.
 - After turning on the power, please check up on the product to work well.
 - Touch the bottom of the outdoor unit by hand and check the temperature. (If the outdoor temperature is higher than 32°F, the heater won't work; this is a safety precaution, not a failure.)

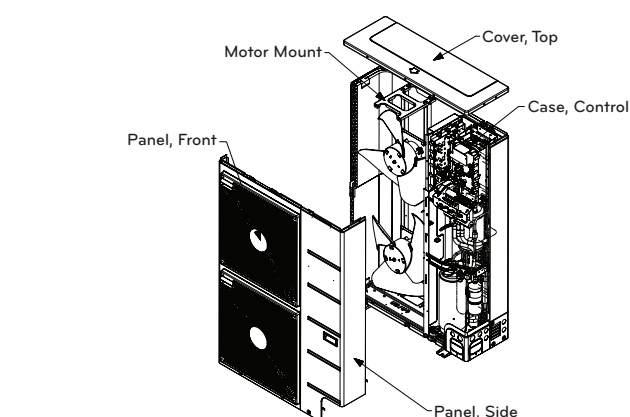
18

Installation Procedure [LMU480HV/LMU540HV]

WARNING
Be sure to check that the power supply of the product is turned off.

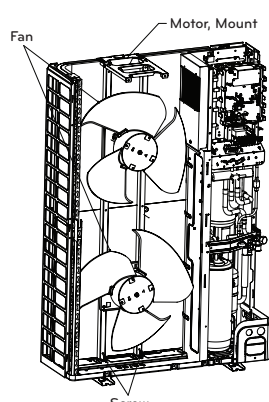
CAUTION
Wear protective gloves at the time of installation.

- Separate the Panels in the following order.
 - Separate the Cover, Top by removing Screws.
 - Separate the Panel, Side by removing Screws.
 - Separate the Panel, Front by removing Screws.

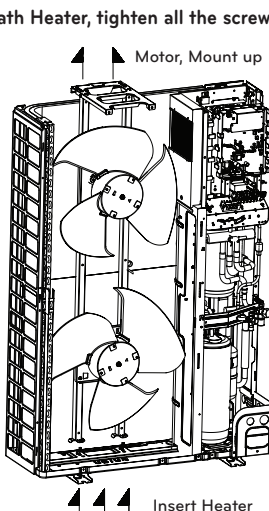


	Number of screws to be removed		
Model	LMU18CHV LMU24CHV	LMU30CHV LMU36CHV	LMU480HV LMU540HV
Panel, Front	13EA	8EA	8EA
Cover, Top	8EA	9EA	9EA
Panel, Side	11EA	2EA	1EA

- Remove the 2 Screws in the Motor, Mount.



- Raise the Motor Mount. Then insert the Sheath Heater.
 - After inserting the Sheath Heater, tighten all the screws.



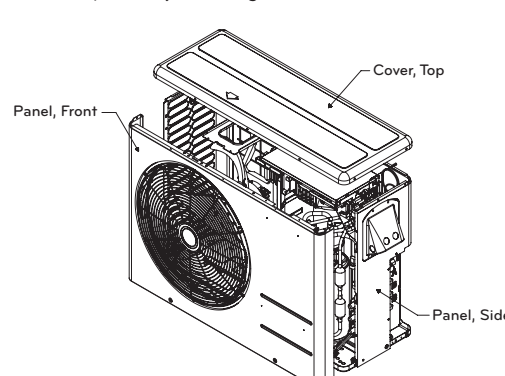
19

Installation Procedure[LMU18CHV/LMU24CHV]

WARNING
Be sure to check that the power supply of the product is turned off.

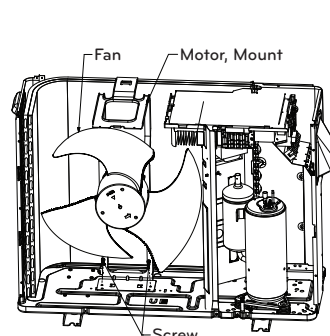
CAUTION
Wear protective gloves at the time of installation.

- Separate the Panels in the following order.
 - Separate the Cover, Top by removing Screws.
 - Separate the Panel, Side by removing Screws.
 - Separate the Panel, Front by removing Screws.

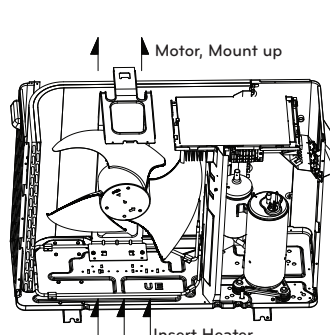


	Number of screws to be removed		
Model	LMU18CHV LMU24CHV	LMU30CHV LMU36CHV	LMU480HV LMU540HV
Panel, Front	13EA	8EA	8EA
Cover, Top	8EA	9EA	9EA
Panel, Side	11EA	2EA	1EA

- Remove the 2 Screws in the Motor, Mount.



- Raise the Motor Mount. Then insert the Sheath Heater.
 - After inserting the Sheath Heater, tighten all the screws.

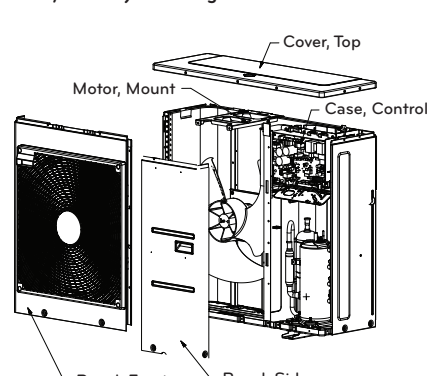


Installation Procedure[LMU30CHV/LMU36CHV]

WARNING
Be sure to check that the power supply of the product is turned off.

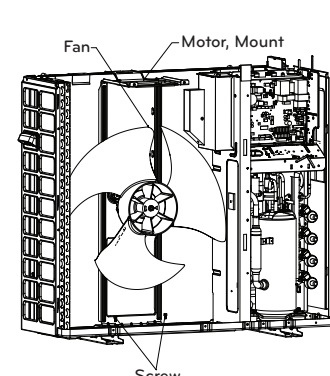
CAUTION
Wear protective gloves at the time of installation.

- Separate the Panels in the following order.
 - Separate the Cover, Top by removing Screws.
 - Separate the Panel, Side by removing Screws.
 - Separate the Panel, Front by removing Screws.

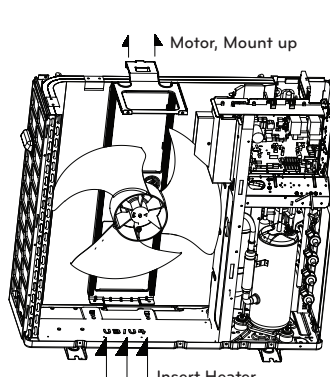


	Number of screws to be removed		
Model	LMU18CHV LMU24CHV	LMU30CHV LMU36CHV	LMU480HV LMU540HV
Panel, Front	13EA	8EA	8EA
Cover, Top	8EA	9EA	9EA
Panel, Side	11EA	2EA	1EA

- Remove the 2 Screws in the Mount, Motor.



- Raise the Motor Mount. Then insert the Sheath Heater.
 - After inserting the Sheath Heater, tighten all the screws.

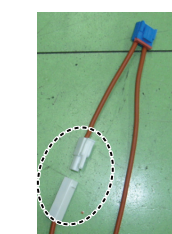


4. Use the brackets to secure the Heater to the Base Pan. please secure them like the picture below by using included screws.



- NOTE
 - The direction of the Bracket should be as shown in the picture below.
 - The right-hand side heater wire must pass through the barrier as shown in the picture below Otherwise Outdoor Fan may touch with Lead wire.
 - Wrong wiring may cause fire, malfunction or damage to the machine.

- Connect harness as shown in the picture.

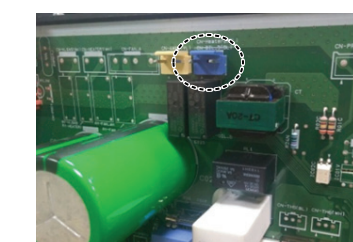


- Pass the Drain Pan Heater wire through the Barrier and fix it. After working, make sure that a bush is not separated



* Do not tie loosely the wire

- Connect the Drain Pan Heater wire to PCB



- NOTE
 - If you try to find the connecting parts on PCB, refer to the circuit diagram in each model.

- Install each panel to the original position.

- NOTE
 - Please make sure to use all necessary screws, if you don't, it may cause noise.
 - Please use the enclosed extra screws if you lose any original screws.

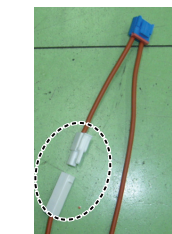
20

4. Use the brackets to secure the Heater to the Base Pan. please secure them like the picture below by using included screws.



- NOTE
 - The direction of the Bracket should be as shown in the picture below.
 - The right-hand side heater wire must pass through the barrier as shown in the picture below Otherwise Outdoor Fan may touch with Lead wire.
 - Wrong wiring may cause fire, malfunction or damage to the machine.

- Connect harness as shown in the picture.



- Pass the Drain Pan Heater wire through the Barrier and fix it. After working, make sure that a bush is not separated



* Do not tie loosely the wire

- Connect the Drain Pan Heater wire to PCB



- NOTE
 - If you try to find the connecting parts on PCB, refer to the circuit diagram in each model.

- Please secure the wire like the picture below. Don't let the wire touch sharp edge.

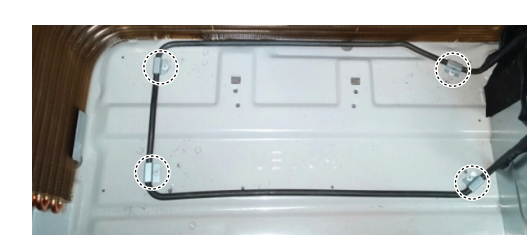


- Install each panel to the original position.

- NOTE
 - Please make sure to use all necessary screws, if you don't, it may cause noise.
 - Please use the enclosed extra screws if you lose any original screws.

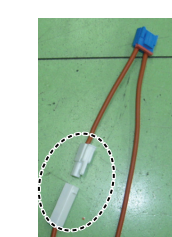
21

4. Use the brackets to secure the Heater to the Base Pan. please secure them like the picture below by using included screws.



- NOTE
 - The direction of the Bracket should be as shown in the picture below.
 - The right-hand side heater wire must pass through the barrier as shown in the picture below Otherwise Outdoor Fan may touch with Lead wire.
 - Wrong wiring may cause fire, malfunction or damage to the machine.

- Connect harness as shown in the picture.

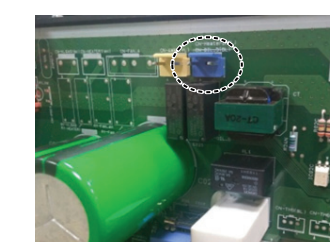


- Pass the Drain Pan Heater wire through the Barrier and fix it. After working, make sure that a bush is not separated



* Do not tie loosely the wire

- Connect the Drain Pan Heater wire to PCB



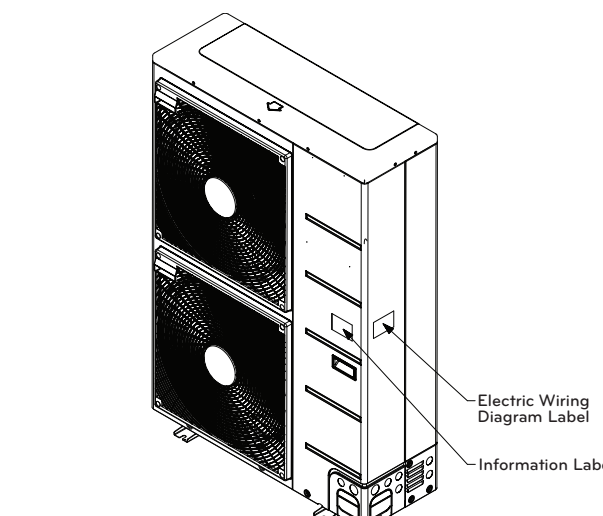
- NOTE
 - If you try to find the connecting parts on PCB, refer to the circuit diagram in each model.

- Install each panel to the original position.

- NOTE
 - Please make sure to use all necessary screws, if you don't, it may cause noise.
 - Please use the enclosed extra screws if you lose any original screws.

22

9. If the Panel is assembled, please attach below the labels as shown in the picture.



Installation Check(Electric test of the product)

- Check the following before powering on the unit.
 - Check whether the drain pan heater has been properly installed, wiring has been properly performed, and the removed components have been returned to the original positions.
 - Check the insulation resistance of the drain pan heater.
 - Use the tester (500 VDC) to check that the insulation resistance between L1 terminal and the ground terminal and between L2 terminal and the ground terminal is equal to or higher than 100MΩ
 - Check the continuity of the outdoor unit.
 - Use the tester to check that the continuity between the screw on the front panel and the ground terminal reads 0Ω
 - When there is no continuity, retighten the screws securing the front panel and the bottom frame to increase the area of contact with the screw. Then, carry out the continuity test again
- Check the following before powering on the unit.
 - Make sure that the wire is not touched by the fan.
 - Make sure that all of the Panel is assembled completely (If you don't, it may cause noise and vibration.)
 - Make sure that Connector of the heater is connected with the specified plug. (If you don't, it may cause malfunction)
- Operate the product and then check up on the product to work well.
 - After turning on the power, please check up on the product to work well.
 - Touch the bottom of the outdoor unit by hand and check the temperature. (If the outdoor temperature is higher than 32°F, the heater won't work; this is a safety precaution, not a failure.)

23

24

MANUEL D'INSTALLATION CLIMATISEUR



Type : Chauffage du bac d'écoulement

ASTUCES POUR ECONOMISER L'ENERGIE

Nous vous donnons ici quelques astuces qui vous permettront de minimiser la consommation d'énergie lorsque vous utilisez le climatiseur. Vous pouvez utiliser un climatiseur de manière plus efficace en vous référant aux instructions ci-dessous.

- Évitez un refroidissement excessif des unités intérieures. Une telle application pourrait représenter un danger pour votre santé et entraîner une plus grande consommation de courant.
- Évitez d'exposer le climatiseur aux rayons solaires à l'aide des rideaux ou des persiennes lorsqu'il est en marche.
- Maintenez les portes et les fenêtres complètement fermées lorsque vous utilisez le climatiseur.
- Ajustez le sens du débit d'air verticalement ou horizontalement pour permettre la circulation de l'air intérieur.
- Accélérez le ventilateur pour refroidir ou réchauffer rapidement l'air intérieur en peu de temps.
- Ouvrez régulièrement des fenêtres pour des besoins d'aération étant donné que la qualité de l'air intérieur peut se détériorer si vous utilisez le climatiseur pendant plusieurs heures.
- Ouvrez régulièrement des fenêtres pour des besoins d'aération étant donné que la qualité de l'air intérieur peut se détériorer si vous utilisez le climatiseur pendant plusieurs heures.

Pour vos archives
Agrafez votre reçu sur cette page dans le cas où vous en avez besoin pour prouver la date d'achat ou pour des besoins de garantie. Ecrivez le numéro du modèle et le numéro de série ici:

Numéro du modèle : _____
Numéro de série : _____

Ces numéros sont disponibles sur l'étiquette de chaque côté du climatiseur.

Nom du distributeur : _____
Date d'achat : _____

- Veillez à éteindre l'unité avant de toucher des pièces électriques.
- Si le gaz réfrigérant fuit pendant l'installation, ventilez immédiatement la pièce. Du gaz toxique peut être produit si le gaz réfrigérant entre en contact avec une flamme.

Fonctionnement

- Débranchez l'unité si vous constatez la présence de bruits étranges, d'odeurs ou de fumée provenant de l'appareil. - Autrement, vous risquez de provoquer un incendie ou un choc électrique.
- Évitez le contact avec des flammes. - Autrement, vous risquez de provoquer un incendie.
- À l'occasion, débranchez la fiche d'alimentation, en la prenant par la tête, et ne la touchez pas avec les mains mouillées. - Autrement, vous risquez de provoquer un incendie ou un choc électrique.
- N'utilisez pas l'unité d'aspiration de l'unité intérieure/extérieure en cours de fonctionnement. - Autrement, vous risquez de provoquer un choc électrique ou un mauvais fonctionnement.
- Ne permettez pas que de l'eau entre en contact avec les pièces électriques. - Autrement, vous risquez de provoquer le mauvais fonctionnement de l'appareil ou un choc électrique.
- Ne touchez jamais les pièces métalliques de l'unité lorsque vous retirez le filtre. - Elles sont aiguisées et peuvent provoquer des blessures.
- Contactez le service après-vente si le produit est submergé dans l'eau. - Autrement, vous risquez de causer un incendie ou un choc électrique.
- Veillez à ce que les enfants ne montent pas sur l'unité extérieure. - Autrement, ils risquent d'être sérieusement blessés en tombant.

ATTENTION

- Installation**
- Installez le produit de sorte que vos voisins ne soient pas dérangés par le bruit ou par le vent chaud venant de l'unité extérieure. - Autrement, vous risquez de susciter des querelles avec les voisins.
 - Maintenez le niveau lors de l'installation du produit. - Autrement, vous risquez de provoquer des vibrations ou une fuite d'eau.

Fonctionnement

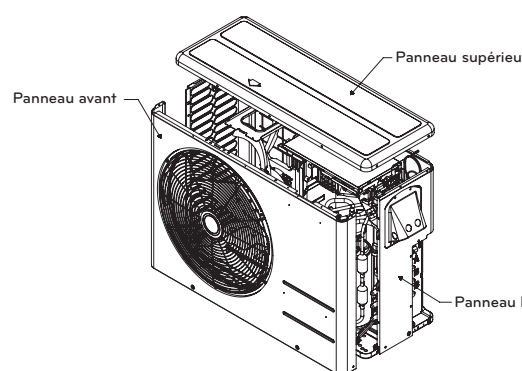
- Utilisez un tissu doux pour nettoyer l'appareil. N'employez ni de cire, ni de diluant ni de détergent fort. - Autrement, vous risquez de détériorer l'aspect de l'appareil, changer sa couleur ou provoquer des défauts sur sa surface.
- N'utilisez pas le produit à des buts particuliers, tels que la préservation d'animaux, de plantes, de dispositifs de précision ou d'objets d'art, etc. - Autrement, vous risquez d'endommager vos biens.
- Ne placez pas d'obstacles autour de l'entrée ou de la sortie du flux d'air. - Autrement, vous risquez de provoquer le mauvais fonctionnement de l'appareil ou un accident.

Procédure d'installation [LMU18CHV/LMU24CHV]

AVERTISSEMENT
Assurez-vous que la source d'alimentation du produit est éteinte.

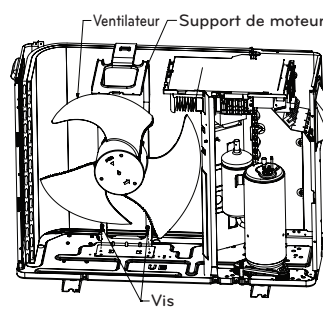
MISE EN GARDE
Portez des gants de protection lors de l'installation.

- Démontez les panneaux dans l'ordre suivant :
 - Démontez le capot supérieur en retirant les vis.
 - Démontez le panneau latéral en retirant les vis.
 - Démontez le panneau avant en retirant les vis.

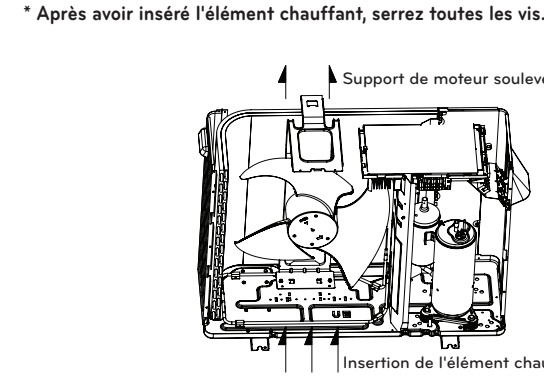


Modèle	Nombre et types de vis à retirer		
	LMU18CHV LMU24CHV	LMU30CHV LMU36CHV	LMU480HV LMU540HV
Panneau avant	13EA	8EA	8EA
Panneau supérieur	8EA	9EA	9EA
Panneau latéral	11EA	2EA	1EA

2. Retirez les 2 vis du support de moteur



3. Soulevez le support de moteur. Puis insérez l'élément chauffant.

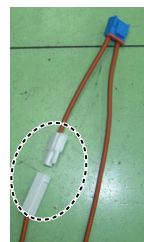


4. Utilisez les supports pour fixer l'élément chauffant au bac de récupération. veillez les fixer tel qu'illustré par la figure ci-dessous à l'aide des vis fournies.



- Remarque**
- L'orientation du support doit être identique à celle illustrée par la figure.
 - Le côté droit de l'élément doit être en contact avec le séparateur tel qu'illustré sans quoi le ventilateur extérieur pourrait entrer en contact avec le câblage principal.
 - Un câblage non approprié pourrait causer un incendie, une panne ou un dommage à l'appareil.

5. Attachez le harnais tel qu'illustré.



6. Faites passer le câblage de l'élément de chauffage à travers le séparateur et fixez le. Assurez-vous qu'aucun élément n'est séparé



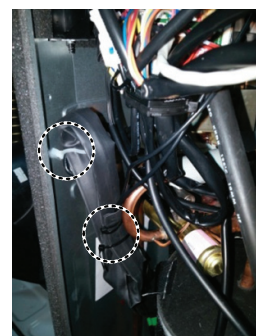
* Les liens rassemblant les fils ne doivent pas être lâches.

7. Connectez le câblage de l'élément de chauffage sur le circuit imprimé (PCB A)



REMARQUE
Pour trouver les éléments de connexion sur le circuit imprimé, consultez le diagramme du circuit associé à chaque modèle.

8. Veuillez rassembler les fils tel qu'illustré ci-dessous. Les fils ne doivent pas être en contact avec les bords coupants.



9. Remplacez chaque panneau à sa position d'origine.

- REMARQUE**
- Assurez-vous que toutes les vis sont appropriées, sans quoi l'appareil pourrait émettre un bruit.
 - Veillez utiliser les vis supplémentaires fournies. Au cas où vous perdriez les vis d'origine.

CONSIGNES DE SECURITE IMPORTANTES

LISEZ ENTIEREMENT LES INSTRUCTIONS AVANT D'UTILISER L'APPAREIL.

Respectez toujours les consignes suivantes pour éviter des situations dangereuses et garantir une performance optimale de votre produit.

AVERTISSEMENT

Le non respect de ces consignes peut être fatal ou provoquer des blessures graves.

ATTENTION

Le non respect de ces consignes peut provoquer des blessures légères ou endommager le produit.

AVERTISSEMENT

- Les travaux d'installation ou de dépannage effectués par des personnes non qualifiées peuvent vous exposer aux risques en même temps que les autres personnes.
- L'installation d'un câblage et des composants sur site DOIVENT être conformes aux codes de construction locaux ou, en l'absence de codes locaux, au Code National d'Électricité 70 et au Code National de Sécurité et de Construction de Bâtiment ou le code canadien de l'électricité et le Code national de construction du Canada.
- Les informations contenues dans ce manuel sont destinées à un technicien de maintenance qualifié qui maîtrise les consignes de sécurité et dispose d'outils et d'instruments de test appropriés.
- Le fait de ne pas lire attentivement et de ne pas respecter les instructions de ce manuel peut provoquer un dysfonctionnement de l'équipement, des dégâts matériels, des blessures individuelles et/ou la mort.

Installation

- Pour l'installation du produit, contactez toujours le centre après-vente ou un service d'installation professionnel.
- Autrement, vous risquez de provoquer un incendie, un choc électrique, une explosion ou des blessures.
- Fixez correctement le couvercle de protection des pièces électriques à l'unité intérieure et le panneau de service à l'unité extérieure.
- Si le couvercle de protection des pièces électriques de l'unité intérieure et le panneau de service de l'unité extérieure ne sont pas bien fixés, cela peut provoquer un incendie ou un choc électrique dus à la poussière, à l'eau, etc.
- Installez toujours un interrupteur pour fuites d'air et un tableau électrique spécialisé. - Ne pas le faire peut provoquer un incendie ou un choc électrique.
- Assurez-vous que le cadre d'installation de l'unité extérieure ne soit pas endommagé à cause d'une utilisation prolongée. Cela peut provoquer des blessures ou un accident.
- Ne démontez ni ne réparez le produit en l'importe quel point. - Cela peut provoquer un incendie ou un choc électrique.
- N'installez pas le produit dans un endroit où il puisse tomber. - Autrement, vous risquez de blesser quelqu'un.
- Procédez à l'installation comme spécifié en prenant en compte le risque de séisme. Si vous ne le faites pas pendant l'installation, l'unité risque de tomber et de provoquer des accidents.
- Assurez-vous qu'un circuit d'alimentation distinct est fourni pour cette unité et que l'installation électrique est effectuée par un technicien qualifié conformément aux lois et réglementations locales, ainsi qu'au présent manuel d'installation. Une alimentation de capacité insuffisante ou une mauvaise installation électrique peuvent entraîner une décharge électrique ou un incendie.

Accessoires

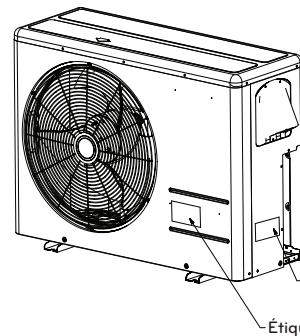
	LMU18CHV LMU24CHV	LMU30CHV LMU36CHV	LMU480HV LMU540HV
Élément chauffant du bac de récupération	1	1	1
Support	4	4	4
Manuel d'installation	1	1	1
Attache autobloquante	1	1	1
Vis	4	4	4
Vis supplémentaire	2	2	2
Étiquette d'information	1	1	1
Diagramme de câblage	1	1	1

Outils requis pour l'installation	
• Mèche Ø 1/8 po" (Ø 3,2 mm)	• Tournevis
• Perceuse électrique	• Pince coupante

2

4

10. Une fois l'appareil remonté, fixez les étiquettes tel qu'illustré ci-dessous.



9

11

◆ Vérification de l'installation (test électrique du produit)

- Vérifiez les éléments suivants avant d'allumer l'appareil.
 - Assurez-vous que l'élément chauffant du bac de récupération est correctement installé, que le câblage est approprié et que les éléments démontés ont été remplacés à leur position d'origine.
 - Vérifiez la résistance d'isolation de l'élément chauffant du bac de récupération.
 - Utilisez l'appareil de mesure (500 VDC) pour vous assurer que la résistance d'isolation entre les bornes L1 et de mise à terre et les bornes L2 et de mise à terre est supérieure ou égale à 100 MΩ.
 - Vérifiez la continuité de l'unité extérieure.
 - Utilisez l'appareil de mesure pour vous assurer que la continuité entre la vis du panneau avant et la borne de mise à terre est de 0 Ω.
 - S'il n'y a pas de continuité, resserrez les vis pour stabiliser le panneau avant et le cadre inférieur afin d'augmenter la zone de contact de la vis. Puis, répétez le test de continuité.

2. Vérifiez les éléments suivants avant d'allumer l'appareil.

- Assurez-vous que le câblage n'entre pas en contact avec le ventilateur.
- Assurez-vous que l'appareil est entièrement remonté (sinon il pourrait émettre un bruit et des vibrations).
- Assurez-vous que l'élément de connexion de l'élément de chauffage est connecté au port indiqué (sinon cela pourrait causer une panne).

3. Faites fonctionner l'appareil et vérifiez son bon fonctionnement.

- Allumez l'appareil et vérifiez son bon fonctionnement.
- Vérifiez la température au niveau de la partie inférieure de l'unité extérieure à l'aide de votre main. (Si la température extérieure est supérieure à 32 °F, l'élément de chauffage n'est pas activé, mais ce n'est pas à cause d'une panne.)

10

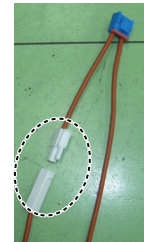
12

4. Utilisez les supports pour fixer l'élément chauffant au bac de récupération. veillez les fixer tel qu'illustré par la figure ci-dessous à l'aide des vis fournies.



- Remarque**
- L'orientation du support doit être identique à celle illustrée par la figure.
 - Le côté droit de l'élément doit être en contact avec le séparateur tel qu'illustré sans quoi le ventilateur extérieur pourrait entrer en contact avec le câblage principal.
 - Un câblage non approprié pourrait causer un incendie, une panne ou un dommage à l'appareil.

5. Attachez le harnais tel qu'illustré.

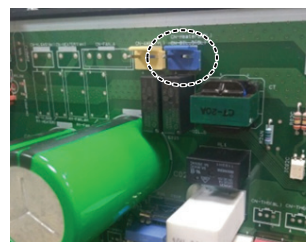


6. Faites passer le câblage de l'élément de chauffage à travers le séparateur et fixez le. Assurez-vous qu'aucun élément n'est séparé



* Les liens rassemblant les fils ne doivent pas être lâches.

7. Connectez le câblage de l'élément de chauffage sur le circuit imprimé (PCB A)

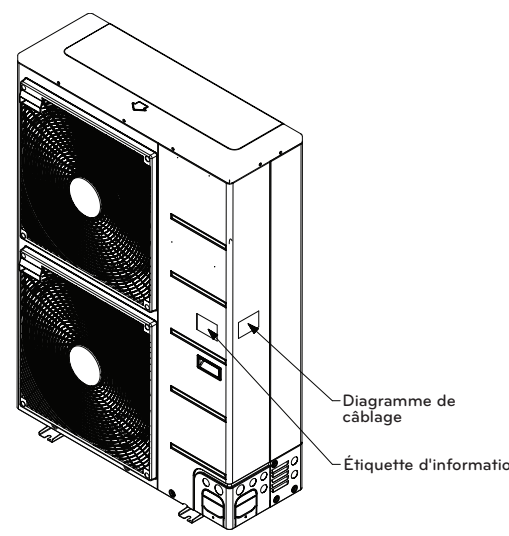


REMARQUE
Pour trouver les éléments de connexion sur le circuit imprimé, consultez le diagramme du circuit associé à chaque modèle.

8. Remplacez chaque panneau à sa position d'origine.

- REMARQUE**
- Assurez-vous que toutes les vis sont appropriées, sans quoi l'appareil pourrait émettre un bruit.
 - Veillez utiliser les vis supplémentaires fournies. Au cas où vous perdriez les vis d'origine.

9. Une fois l'appareil remonté, fixez les étiquettes tel qu'illustré ci-dessous.

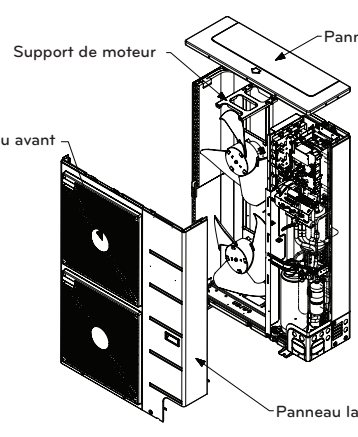


Procédure d'installation [LMU480HV/LMU540HV]

AVERTISSEMENT
Assurez-vous que la source d'alimentation du produit est éteinte.

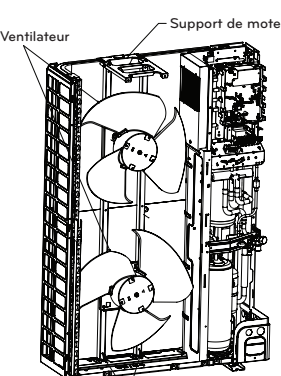
MISE EN GARDE
Portez des gants de protection lors de l'installation.

- Démontez les panneaux dans l'ordre suivant :
 - Démontez le capot supérieur en retirant les vis.
 - Démontez le panneau latéral en retirant les vis.
 - Démontez le panneau avant en retirant les vis.

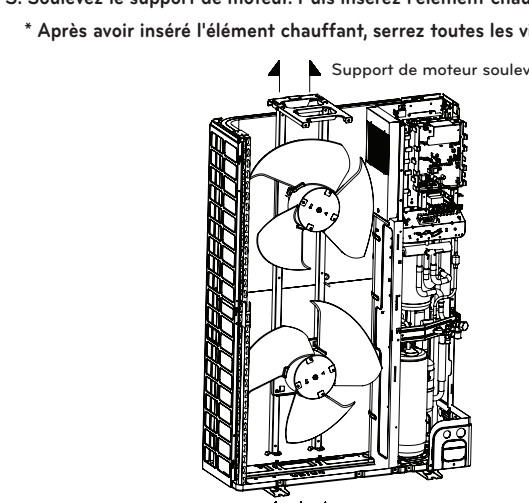


Modèle	Nombre et types de vis à retirer		
	LMU18CHV LMU24CHV	LMU30CHV LMU36CHV	LMU480HV LMU540HV
Panneau avant	13EA	8EA	8EA
Panneau supérieur	8EA	9EA	9EA
Panneau latéral	11EA	2EA	1EA

2. Retirez les 2 vis du support de moteur



3. Soulevez le support de moteur. Puis insérez l'élément chauffant.

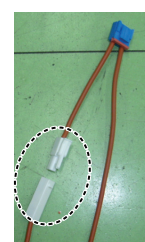


4. Utilisez les supports pour fixer l'élément chauffant au bac de récupération. veillez les fixer tel qu'illustré par la figure ci-dessous à l'aide des vis fournies.

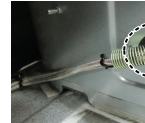


- Remarque**
- L'orientation du support doit être identique à celle illustrée par la figure.
 - Le côté droit de l'élément doit être en contact avec le séparateur tel qu'illustré sans quoi le ventilateur extérieur pourrait entrer en contact avec le câblage principal.
 - Un câblage non approprié pourrait causer un incendie, une panne ou un dommage à l'appareil.

5. Attachez le harnais tel qu'illustré.

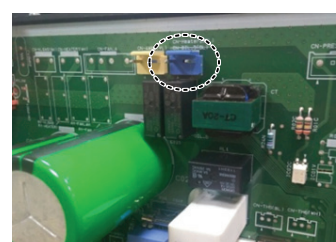


6. Faites passer le câblage de l'élément de chauffage à travers le séparateur et fixez le. Assurez-vous qu'aucun élément n'est séparé



* Les liens rassemblant les fils ne doivent pas être lâches.

7. Connectez le câblage de l'élément de chauffage sur le circuit imprimé (PCB A)



REMARQUE
Pour trouver les éléments de connexion sur le circuit imprimé, consultez le diagramme du circuit associé à chaque modèle.

8. Remplacez chaque panneau à sa position d'origine.

- REMARQUE**
- Assurez-vous que toutes les vis sont appropriées, sans quoi l'appareil pourrait émettre un bruit.
 - Veillez utiliser les vis supplémentaires fournies. Au cas où vous perdriez les vis d'origine.

◆ Vérification de l'installation (test électrique du produit)

- Vérifiez les éléments suivants avant d'allumer l'appareil.
 - Assurez-vous que l'élément chauffant du bac de récupération est correctement installé, que le câblage est approprié et que les éléments démontés ont été remplacés à leur position d'origine.
 - Vérifiez la résistance d'isolation de l'élément chauffant du bac de récupération.
 - Utilisez l'appareil de mesure (500 VDC) pour vous assurer que la résistance d'isolation entre les bornes L1 et de mise à terre et les bornes L2 et de mise à terre est supérieure ou égale à 100 MΩ.
 - Vérifiez la continuité de l'unité extérieure.
 - Utilisez l'appareil de mesure pour vous assurer que la continuité entre la vis du panneau avant et la borne de mise à terre est de 0 Ω.
 - S'il n'y a pas de continuité, resserrez les vis pour stabiliser le panneau avant et le cadre inférieur afin d'augmenter la zone de contact de la vis. Puis, répétez le test de continuité.

2. Vérifiez les éléments suivants avant d'allumer l'appareil.

- Assurez-vous que le câblage n'entre pas en contact avec le ventilateur.
- Assurez-vous que l'appareil est entièrement remonté (sinon il pourrait émettre un bruit et des vibrations).
- Assurez-vous que l'élément de connexion de l'élément de chauffage est connecté au port indiqué (sinon cela pourrait causer une panne).

3. Faites fonctionner l'appareil et vérifiez son bon fonctionnement.

- Allumez l'appareil et vérifiez son bon fonctionnement.
- Vérifiez la température au niveau de la partie inférieure de l'unité extérieure à l'aide de votre main. (Si la température extérieure est supérieure à 32 °F, l'élément de chauffage n'est pas activé, mais ce n'est pas à cause d'une panne.)

18

20

22

24