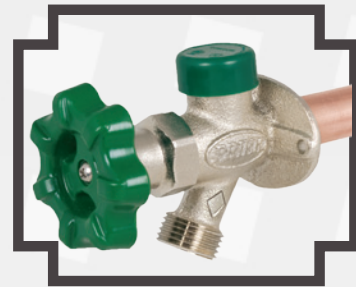




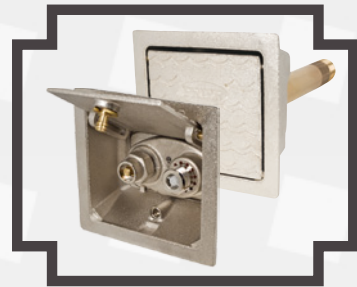
SPEC SHEETS

2015

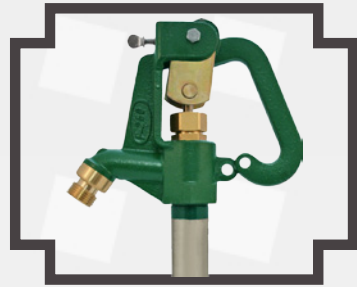
TABLE OF CONTENTS



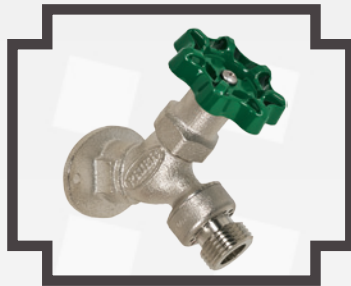
Residential Hydrants
Pages 4-21



Commercial Hydrants
Pages 23-38



Ground Hydrants
Pages 40-49



Angle Sill Faucets
Pages 51-56



Plumbing Brass
Pages 58-61



Drainage Products
Pages 63-73



Specialty Valves
Pages 75-82

Page 4 300 Wall Hydrant
Page 6 400 Half Turn Anti-Siphon Wall Hydrant
Page 8 400-LF Half Turn Anti-Siphon Wall Hydrant
Page 10 408 Internal Vacuum Breaker Wall Hydrant
Page 12 C-134 Full Turn Wall Hydrant
Page 14 C-144 Full Turn Anti-Siphon Wall Hydrant
Page 16 P-164 Quarter Turn Anti-Siphon Wall Hydrant
Page 18 C-108 Hot and Cold Anti Siphon Wall Hydrant
Page 20 C-434 Self-Draining Anti-Siphon Wall Hydrant

RESIDENTIAL HYDRANTS



4515 East 139th Street
Grandview, MO 64030
(800) 362-9055
Fax (800) 362-1463
www.PRIER.com

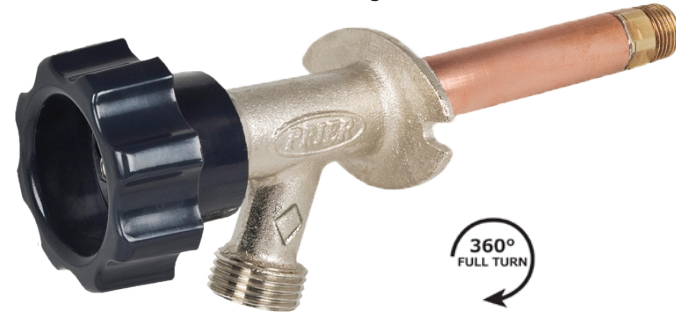


4515 East 139th Street
Grandview, MO 64030
(800) 362-9055
Fax (800) 362-1463
www.PRIER.com

Application

300 Series Freezeless Wall Hydrant

Mansfield Style M-300



- Residential
- Freezeless
- Solid Brass Body
- Easy Grip Handle



PRIER 300 Series provides a year round source of water to areas of structures that are subject to freezing temperatures. The hydrant valve is connected to the supply piping in the heated portion of the structure, eliminating the possibility of freezing.

The PRIER 300 Series is one of the original freezeless hydrant designs and is installed throughout the United States. It is available from stock in lengths from 4" to 14".

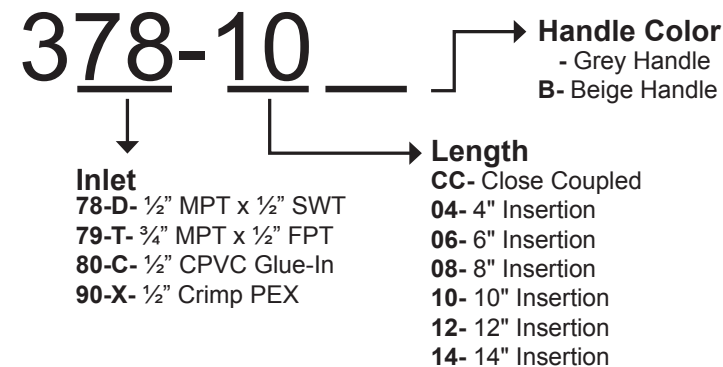
Features

- Integral cast backflange
- Wide screw holes easily secure mounting screws
- Solid brass body and seat
- Satin nickel plated body maintains attractive finish
- Stainless steel handle screw
- Easy grip polycarbonate operating handle
- Durable ACME threads secure stem at seat end
- AFG teflon with graphite packing for easy maintenance
- Spacer wedge
- Standard "OO" size seat washer
- Spout aligning mark
- Field repairable with no special tools
- Option of grey or beige handle

Inlet Styles



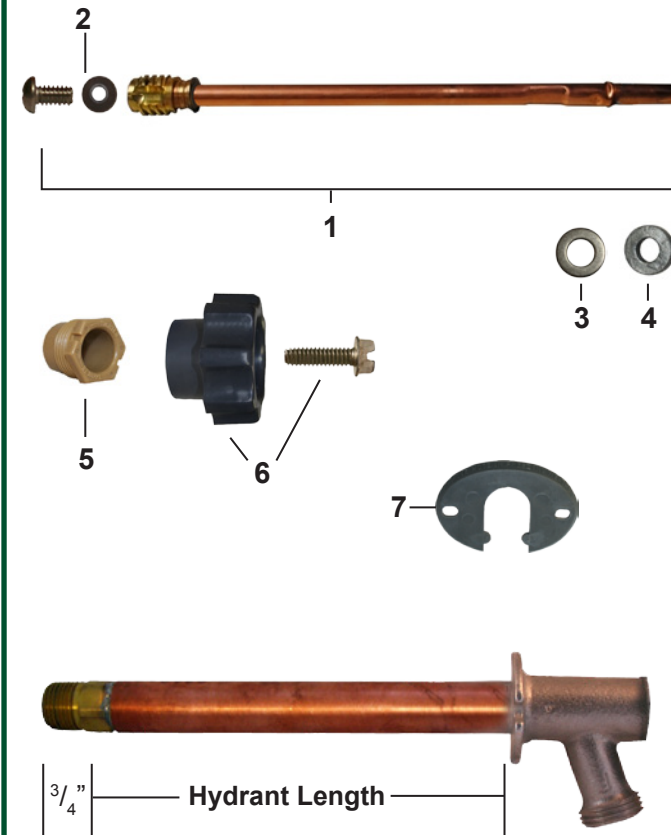
Ordering



4

378-K

Replacement Parts



| ID | Part No. | Description |
|----|-------------|-------------------------------------------------------------------|
| 1 | See Below | Stem Assembly, Contains: 1, 2, 3, 4 |
| 2 | C-134KT-802 | Seat Washer Replacement Kit (00 Beveled) |
| 3 | 324-1006 | Washer (Stainless Steel) |
| 4 | 339-3002 | Packing for Left Hand Packing Nut (Graphite) |
| 5 | 337-3001 | Left Hand Thread Packing Nut (Plastic) |
| 6 | 630-7965 | Handle & Screw Kit (Grey Plastic Handle & Stainless Steel Screw) |
| | 630-7975 | Handle & Screw Kit (Beige Plastic Handle & Stainless Steel Screw) |
| 7 | 337-3012 | Space Wedge (Grey, Plastic) |
| | 337-3013 | Space Wedge (Beige, Plastic) |
| | 630-7755 | Service Kit for 300/400/500 Series Contains: 2, 3, 4, 5 |

*The 630-7755 Wall Hydrant Repair Kit includes parts for the 300, 400 and 500 Series hydrants, some of which are not pictured here. When repairing a hydrant you will have parts left over.

Replacement Stems



G Style Manufactured April 2013 - Present

| Part No. | Style | Description | Stem Length |
|------------|-------|---------------------------------|--------------|
| M-231-3104 | G | Stem for 4" 300 Series Hydrant | 6 9/16" OAL |
| M-231-3106 | G | Stem for 6" 300 Series Hydrant | 8 9/16" OAL |
| M-231-3108 | G | Stem for 8" 300 Series Hydrant | 10 9/16" OAL |
| M-231-3110 | G | Stem for 10" 300 Series Hydrant | 12 9/16" OAL |
| M-231-3112 | G | Stem for 12" 300 Series Hydrant | 14 9/16" OAL |
| M-231-3114 | G | Stem for 14" 300 Series Hydrant | 16 9/16" OAL |

For the **old style 300 Series wall hydrant stems, see 300 Series retired style spec sheet at www.PRIER.com.

5



4515 East 139th Street
Grandview, MO 64030
(800) 362-9055
Fax (800) 362-1463
www.PRIER.com

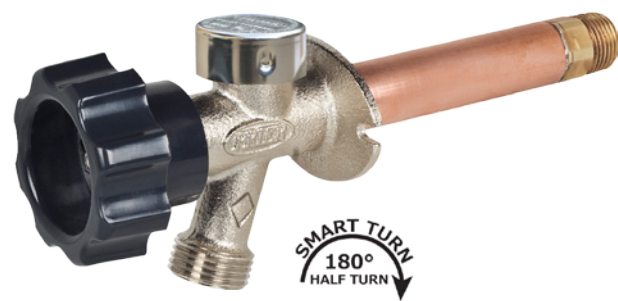


4515 East 139th Street
Grandview, MO 64030
(800) 362-9055
Fax (800) 362-1463
www.PRIER.com

Application

400 Series Freezeless Wall Hydrant

Mansfield Style M-400



- Residential
- Freezeless
- Anti-Siphon
- Backflow Check Valve



PRIER 400 Series provides a year round source of water to areas of structures that are subject to freezing temperatures. The hydrant valve is connected to the supply piping in the heated portion of the structure, eliminating the possibility of freezing. The PRIER 400 Series features a half-turn design for years of easy operation.

The PRIER 400 Series has all the characteristics of the proven 300 Series Wall Hydrant, with the added protection of a vacuum breaker and backflow preventor. It is available from stock in lengths from 4" to 14".

Features

- ASSE 1019 and C-UPC approved
- Easy half-turn operation
- Integral cast backflange
- Wide screw holes easily secure mounting screws
- Aluminum vacuum breaker cap with increased durability
- Solid brass body and seat
- Satin nickel plated body maintains attractive finish
- Stainless steel handle screw
- Easy grip polycarbonate operating handle
- Durable ACME threads secure stem at seat end
- Solid stem design with EPDM backflow preventor
- AFG teflon with graphite packing for easy maintenance
- Field repairable with no special tools
- Spout aligning mark

Inlet Styles

- D Style**
1/2" MIP x 1/2" SWT
- S Style**
1/2" SWT x 3/4" Push-On
- X Style**
1/2" Crimp PEX
- W Style**
1/2" Wirsbo® PEX
- C Style**
1/2" CPVC Glue-In
- T Style**
3/4" MIP x 1/2" FIP
- F Style**
3/4" MIP x 3/4" SWT
- FX Style**
3/4" Crimp PEX
- FW Style**
3/4" Wirsbo® PEX

Ordering

478-10

Handle Color
- Grey Handle
B- Beige Handle

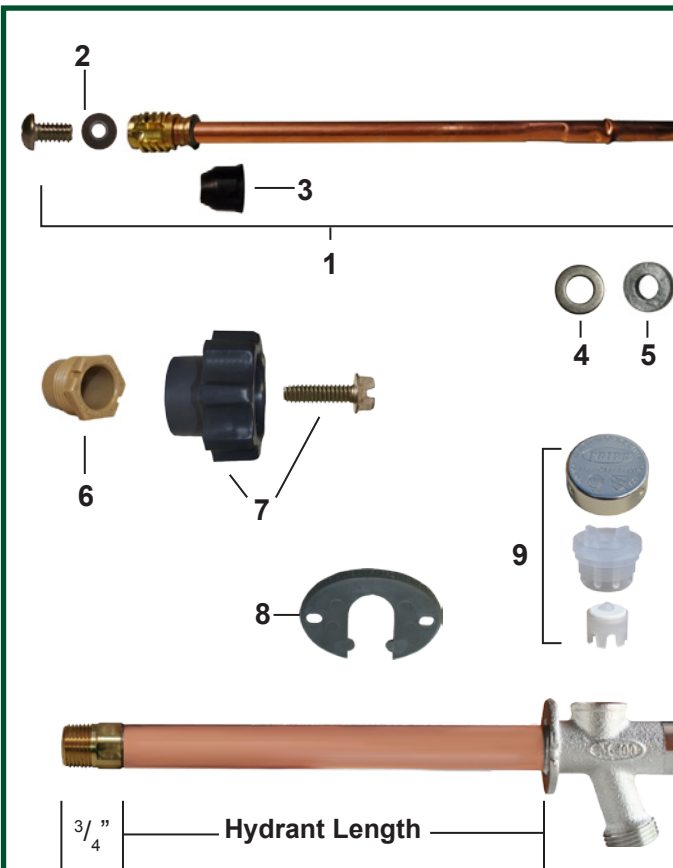
Length
CC- Close Coupled
04- 4" Insertion
06- 6" Insertion
08- 8" Insertion
10- 10" Insertion
12- 12" Insertion
14- 14" Insertion

Inlet
78-D- 1/2" MPT x 1/2" SWT
79-T- 3/4" MPT x 1/2" FPT
80-C- 1/2" CPVC Glue-In
81-S- 3/4" Push-On x 1/2" SWT
82-F- 3/4" MPT x 3/4" SWT
90-X- 1/2" Crimp PEX
91-W- 1/2" Wirsbo PEX®
92-FX- 3/4" Crimp PEX
93-FW- 3/4" Wirsbo PEX®

6

478-M

Replacement Parts



| ID | Part No. | Description |
|----|-------------|-------------------------------------------------------------------|
| 1 | See Below | Stem Assembly, Contains: 1, 2, 3, 4, 5 |
| 2 | C-134KT-802 | Seat Washer Replacement Kit (00 Beveled) |
| 3 | 336-0002 | Backflow Check Valve for 400 Series |
| 4 | 324-1006 | Washer (Stainless Steel) |
| 5 | 339-3002 | Packing for Left Hand Packing Nut (Graphite) |
| 6 | 337-3001 | Left Hand Thread Packing Nut (Plastic) |
| 7 | 630-7965 | Handle & Screw Kit (Grey Plastic Handle & Stainless Steel Screw) |
| | 630-7975 | Handle & Screw Kit (Beige Plastic Handle & Stainless Steel Screw) |
| 8 | 337-3012 | Space Wedge (Grey, Plastic) |
| | 337-3013 | Space Wedge (Beige, Plastic) |
| 9 | 630-7500 | Universal Vacuum Breaker Replacement Kit |
| | 630-7755 | Service Kit for 300/400/500 Series Contains: 2, 3, 4, 5, 6 |
| | 630-8500 | Complete Service, Handle & Vacuum Breaker Kit |

*The 630-7755 Wall Hydrant Repair Kit includes parts for the 300, 400 and 500 Series hydrants, some of which are not pictured here. When repairing a hydrant you will have parts left over.

*The 630-7500 Universal Vacuum Breaker Kit fits all current and past PRIER and Mansfield style residential hydrants.

Replacement Stems



H Style Manufactured April 2013 - Present

| Part No. | Style | Description | Stem Length |
|------------|-------|---------------------------------|--------------|
| M-231-3204 | H | Stem for 4" 400 Series Hydrant | 6 9/16" OAL |
| M-231-3206 | H | Stem for 6" 400 Series Hydrant | 8 9/16" OAL |
| M-231-3208 | H | Stem for 8" 400 Series Hydrant | 10 9/16" OAL |
| M-231-3210 | H | Stem for 10" 400 Series Hydrant | 12 9/16" OAL |
| M-231-3212 | H | Stem for 12" 400 Series Hydrant | 14 9/16" OAL |
| M-231-3214 | H | Stem for 14" 400 Series Hydrant | 16 9/16" OAL |

For the **old style 400 Series wall hydrant stems, see 400 Series retired style spec sheet at www.PRIER.com. For older styles made prior to 2007, see the retired 500 Series spec sheet.

7



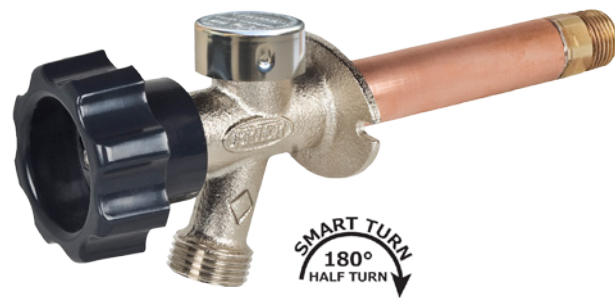
4515 East 139th Street
Grandview, MO 64030
(800) 362-9055
Fax (800) 362-1463
www.PRIER.com



4515 East 139th Street
Grandview, MO 64030
(800) 362-9055
Fax (800) 362-1463
www.PRIER.com

400 Series Freezeless Wall Hydrant

Mansfield Style M-400-LF



- Residential
- Freezeless
- Anti-Siphon
- Backflow Check Valve
- Lead Free



PRIER 400-LF Series is made with lead free brass and provides a year round source of water to areas of structures that are subject to freezing temperatures. The hydrant valve is connected to the supply piping in the heated portion of the structure, eliminating the possibility of freezing. The PRIER 400 Series features half-turn design for years of easy operation.

The PRIER 400 Series has all the characteristics of the proven 300 Series Wall Hydrant, with the added protection of a vacuum breaker and backflow preventor. It is available from stock in lengths from 4" to 14".

- Body and seat composed of solid lead free brass (PB ≤ 0.25%)
- ASSE 1019 and C-UPC approved
- Meets NSF 61
- Easy half-turn operation
- Integral cast backflange
- Wide screw holes easily secure mounting screws
- Solid brass body and seat
- Satin nickel plated body maintains attractive finish
- Stainless steel handle screw
- Easy grip polycarbonate operating handle
- Durable ACME threads secure stem at seat end
- Solid stem design with EPDM backflow preventor
- AFG teflon with graphite packing for easy maintenance
- Field repairable with no special tools
- Spout aligning mark

Inlet Styles



478-10-LF

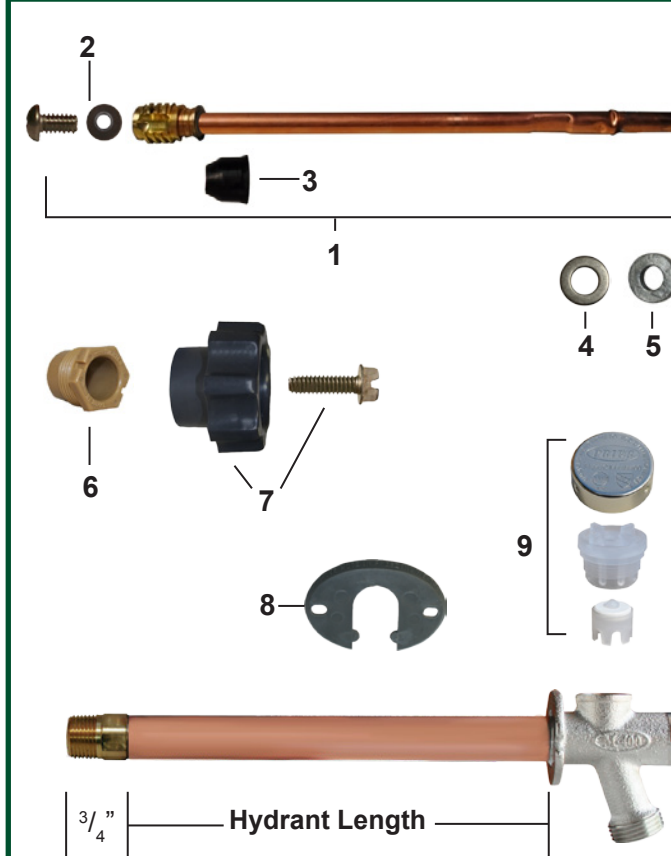
- Inlet**
78-D- 1/2" MPT x 1/2" SWT
90-X- 1/2" Crimp PEX
- Length**
CC- Close Coupled
04- 4" Insertion
06- 6" Insertion
08- 8" Insertion
10- 10" Insertion
12- 12" Insertion
14- 14" Insertion
- Handle Color**
- Grey Handle
B- Beige Handle

Application

Features

Ordering

Replacement Parts



| ID | Part No. | Description |
|----|-------------|-------------------------------------------------------------------|
| 1 | See Below | Stem Assembly, Contains: 1, 2, 3, 4, 5 |
| 2 | C-134KT-802 | Seat Washer Replacement Kit (00 Beveled) |
| 3 | 336-0002 | Backflow Check Valve for 400 Series |
| 4 | 324-1006 | Washer (Stainless Steel) |
| 5 | 339-3002 | Packing for Left Hand Packing Nut (Graphite) |
| 6 | 337-3001 | Left Hand Thread Packing Nut (Plastic) |
| 7 | 630-7965 | Handle & Screw Kit (Grey Plastic Handle & Stainless Steel Screw) |
| | 630-7975 | Handle & Screw Kit (Beige Plastic Handle & Stainless Steel Screw) |
| 8 | 337-3012 | Space Wedge (Grey, Plastic) |
| | 337-3013 | Space Wedge (Beige, Plastic) |
| 9 | 630-7500 | Universal Vacuum Breaker Replacement Kit |
| | 630-7755 | Service Kit for 300/400/500 Series Contains: 2, 3, 4, 5, 6 |
| | 630-8500 | Complete Service, Handle & Vacuum Breaker Kit |

*The 630-7755 Wall Hydrant Repair Kit includes parts for the 300, 400 and 500 Series hydrants, some of which are not pictured here. When repairing a hydrant you will have parts left over.

*The 630-7500 Universal Vacuum Breaker Kit fits all current and past PRIER and Mansfield style residential hydrants.

Replacement Stems



H Style Manufactured April 2013 - Present

| Part No. | Style | Description | Stem Length |
|---------------|-------|-------------------------------------------|--------------|
| M-231-3204-LF | H | Stem for 4" 400 Series Lead Free Hydrant | 6 9/16" OAL |
| M-231-3206-LF | H | Stem for 6" 400 Series Lead Free Hydrant | 8 9/16" OAL |
| M-231-3208-LF | H | Stem for 8" 400 Series Lead Free Hydrant | 10 9/16" OAL |
| M-231-3210-LF | H | Stem for 10" 400 Series Lead Free Hydrant | 12 9/16" OAL |
| M-231-3212-LF | H | Stem for 12" 400 Series Lead Free Hydrant | 14 9/16" OAL |
| M-231-3214-LF | H | Stem for 14" 400 Series Lead Free Hydrant | 16 9/16" OAL |

For the **old style 400 Series wall hydrant stems, see 400 Series retired style spec sheet at www.PRIER.com. For older styles made prior to 2007, see the retired 500 Series spec sheet.



4515 East 139th Street
Grandview, MO 64030
(800) 362-9055
Fax (800) 362-1463
www.PRIER.com

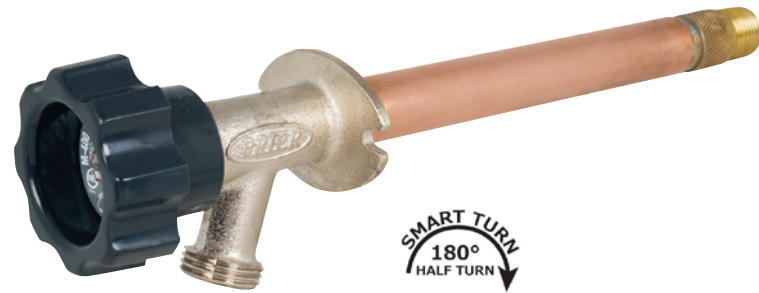


4515 East 139th Street
Grandview, MO 64030
(800) 362-9055
Fax (800) 362-1463
www.PRIER.com

Application

408 Series Freezeless Wall Hydrant

Internal Vacuum Breaker



- Residential
- Freezeless
- Anti-Siphon
- Backflow Check Valve



PRIER 408 Series provides a year round source of water to areas of structures that are subject to freezing temperatures. The hydrant valve is connected to the supply piping in the heated portion of the structure, eliminating the possibility of freezing. The PRIER 408 Series features the half-turn design for years of easy operation.

The PRIER 408 Series has all the characteristics of the historically proven 300 Series Wall Hydrant, with the added protection of an integral vacuum breaker and backflow preventor. PRIER's design incorporates the vacuum breaker and backflow preventor into the operating stem, eliminating an external vacuum breaker on top of the valve.

Features

- ASSE 1019 and C-UPC approved
- Internal vacuum breaker and backflow preventor
- Easy half-turn operation
- Integral cast backflange
- Wide screw holes easily secure mounting screws
- Siding wedge included with each valve
- Solid brass body and seat
- Satin nickel plated body maintains finish indefinitely
- Easy grip polycarbonate operating handle
- Stainless steel handle Screw
- Full circle seat threads secure stem to seat end
- AFG teflon and graphite packing for easy maintenance
- Each valve air-tested at factory for leak free quality
- Spout aligning mark

Inlet Styles

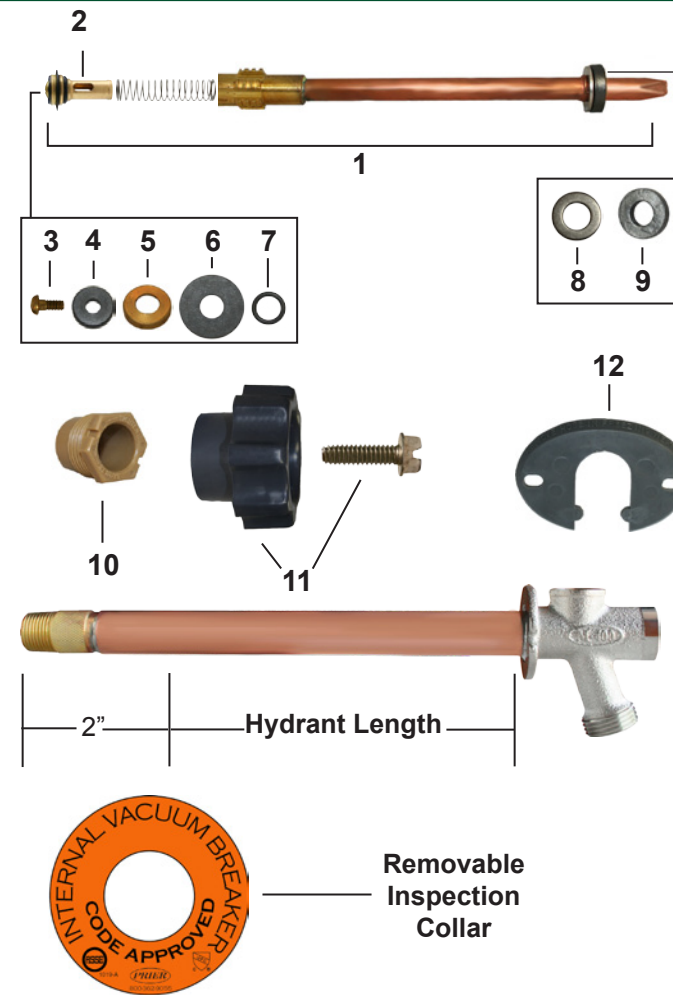
- D Style**
1/2" MIP x 1/2" SWT
- X Style**
1/2" Crimp PEX
- T Style**
3/4" MIP x 1/2" FPT
- F Style**
3/4" MIP x 3/4" SWT
- FX Style**
3/4" Crimp PEX

Ordering

408-10

- Inlet**
- 08-D- 1/2" MPT x 1/2" SWT
 - 09-T- 3/4" MPT x 1/2" FPT
 - 12-F- 3/4" MPT x 3/4" SWT
 - 20-X- 1/2" Crimp PEX
 - 21-FX- 3/4" Crimp PEX
- Length**
- CC- Close Coupled
 - 04- 4" Insertion
 - 06- 6" Insertion
 - 08- 8" Insertion
 - 10- 10" Insertion
 - 12- 12" Insertion
 - 14- 14" Insertion

Replacement Parts



| ID | Part No. | Description |
|----|-----------|-------------------------------------------------------------------------|
| 1 | See Below | Stem Assembly Contains: 1, 2, 3, 4, 5, 6, 7, 8, 9 |
| 2 | 231-3201 | BFP Assembly |
| 3 | 910-3008 | Bibb Screw (Brass) |
| 4 | 936-3012 | Bibb Washer (Rubber) |
| 5 | 310-3016 | Cage Washer (Brass) |
| 6 | 936-3011 | BFP Washer (Rubber) |
| 7 | 936-3002 | Stem End O-Ring (Rubber) |
| 8 | 324-1006 | Washer (Stainless Steel) |
| 9 | 339-3002 | Packing for Left Hand Packing Nut (Graphite) |
| 10 | 337-3001 | Left Hand Thread Packing Nut (Plastic) |
| 11 | 630-7965 | Handle & Screw Kit (Grey Plastic Handle & Stainless Steel Screw) |
| | 630-7965 | Handle & Screw Kit (Beige Plastic Handle & Stainless Steel Screw) |
| 12 | 337-3012 | Space Wedge (Grey, Plastic) |
| | 337-3013 | Space Wedge (Beige, Plastic) |
| | 630-7755 | Service Kit for 300/400/500 Series Contains: 3, 4, 5, 6, 7, 8, 9, 10 |

*The 630-7755 Wall Hydrant Repair Kit includes parts for the 300, 400 and 500 Series hydrants, some of which are not pictured here. When repairing a hydrant you will have parts left over.

Replacement Stems



| Part No. | Description | Stem Length |
|------------|---------------------------------|-------------|
| M-123-4090 | Stem for 4" 400 Series Hydrant | 8" OAL |
| M-123-4092 | Stem for 6" 400 Series Hydrant | 10" OAL |
| M-123-4093 | Stem for 8" 400 Series Hydrant | 12" OAL |
| M-123-4094 | Stem for 10" 400 Series Hydrant | 14" OAL |
| M-123-4095 | Stem for 12" 400 Series Hydrant | 16" OAL |
| M-123-4096 | Stem for 14" 400 Series Hydrant | 18" OAL |

**400 Series stems are made to fit the 400, 408 and 400-LF Series Wall Hydrants only. They are not interchangeable with any other models. For parts for Mansfield style anti-siphon hydrants made prior to 2007, see the retired 500 Series spec sheet.



4515 East 139th Street
Grandview, MO 64030
(800) 362-9055
Fax (800) 362-1463
www.PRIER.com

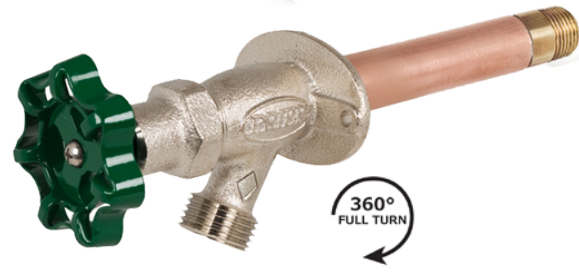


4515 East 139th Street
Grandview, MO 64030
(800) 362-9055
Fax (800) 362-1463
www.PRIER.com

C-134/234 Series Freezeless Wall Hydrant

Original Heavy Duty Style

C-234 Loose Key Design



- Residential
- Freezeless
- Slim Seat
- Satin Nickel Plated



PRIER C-134 provides a year round source of water to areas of structures that are subject to freezing temperatures. The hydrant valve is connected to the supply piping in the heated portion of the structure, eliminating the possibility of freezing. Ordering the C-234 gives you the same style hydrant but with a vandal proof extended lockshield with operating key.

The PRIER C-134 is the original freezeless hydrant that is made in the same heavy pattern fashion that made it famous. It is available from stock in lengths from Close Coupled to 24". Longer sizes are available upon request.

- C-UPC approved
- Integral cast flange with built-in drainage pitch
- Enclosed screw holes easily secure mounting screws
- Solid brass body, valve stem cap, seat and stem ends
- Satin nickel plated body maintains attractive finish
- Stainless steel seat washer screw and handle screw
- Powder coated cast aluminum handle
- Durable ACME threads secure stem at seat end
- Lock shield cap for stronger valve design
- AFG teflon with graphite packing for easy maintenance
- Standard "OO" size seat washer
- Spout aligning mark
- Slim seat inlet for easier installation

Inlet Styles

- D Style**
1/2" MIP x 1/2" SWT
- S Style**
1/2" SWT x 3/4" Push-On
- X Style**
1/2" Crimp PEX
- W Style**
1/2" Wirsbo® PEX
- C Style**
1/2" CPVC Glue-In
- T Style**
3/4" MIP x 1/2" FIP
- F Style**
3/4" MIP x 3/4" SWT
- FX Style**
3/4" Crimp PEX
- FW Style**
3/4" Wirsbo® PEX

C-134D10

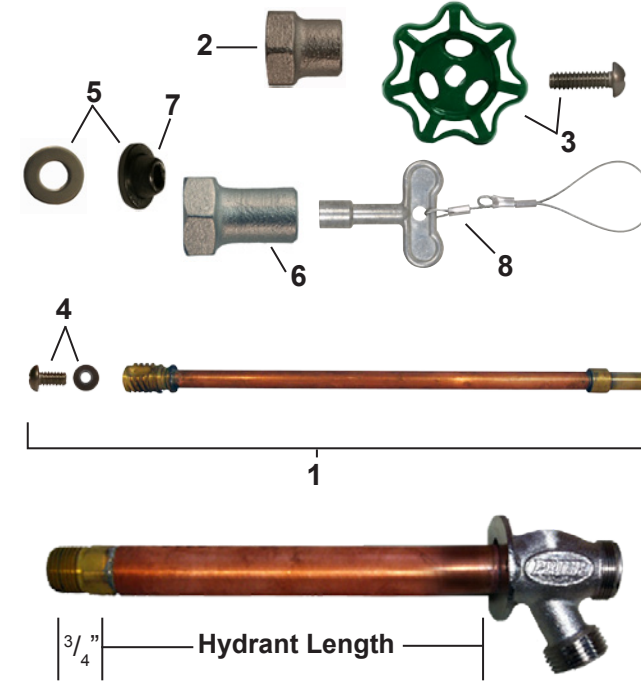
- | | | |
|----------------------------|----------------------------|-------------------|
| Operator | Inlet | Length |
| 1- Handle Operated | D- 1/2" MPT x 1/2" SWT | CC- Close Coupled |
| 2- Vandal Proof Lockshield | F- 3/4" MPT x 3/4" SWT | 04- 4" Insertion |
| | S- 1/2" SWT x 3/4" Push-On | 06- 6" Insertion |
| | T- 3/4" MIP x 1/2" FIP | 08- 8" Insertion |
| | W- 1/2" Wirsbo PEX® | 10- 10" Insertion |
| | C- 1/2" CPVC Glue-In | 12- 12" Insertion |
| | X- 1/2" Crimp PEX | 14- 14" Insertion |
| | FX- 3/4" Crimp PEX | 16- 16" Insertion |
| | FW- 3/4" Wirsbo PEX® | 18- 18" Insertion |
| | | 20- 20" Insertion |
| | | 22- 22" Insertion |
| | | 24- 24" Insertion |
| | | XX- Special Size |

Application

Features

Ordering

Replacement Parts



| ID | Part No. | Description |
|----|-------------|--------------------------------------------|
| 1 | See Below | Stem Assembly, Contains: 1, 4 |
| 2 | 300-1008 | Valve Stem Cap |
| 3 | C-134KT-805 | Oval Handle and Screw Kit |
| 4 | C-134KT-802 | Seat Washer Replacement Kit (00 Beveled) |
| 5 | C-134KT-803 | Stem Packing Replacement Kit |
| 6 | 310-1015 | Valve Stem Cap for Loose Key |
| 7 | 390-1001 | Stem Packing Only |
| 8 | C-108KT-808 | Oval Style Key on Lanyard |
| | C-134KT-804 | Loose Key Conversion Kit Contains: 5, 6, 8 |
| | C-134KT-807 | C-134 Overhaul Kit Contains: 3, 4, 5 |

Replacement Stems



G Style Manufactured April 2013 - Present

| Part No. | Style | Description | Stem Length |
|------------|-------|-----------------------------------------------|-------------------|
| P-231-11CC | G | Close Coupled Stem for C-134 Hydrant | 4 3/8" OAL |
| P-231-1104 | G | Stem for 4" C-134 Hydrant | 6 7/8" OAL |
| P-231-1106 | G | Stem for 6" C-134 Hydrant | 8 7/8" OAL |
| P-231-1108 | G | Stem for 8" C-134 Hydrant | 10 7/8" OAL |
| P-231-1110 | G | Stem for 10" C-134 Hydrant | 12 7/8" OAL |
| P-231-1112 | G | Stem for 12" C-134 Hydrant | 14 7/8" OAL |
| P-231-1114 | G | Stem for 14" C-134 Hydrant | 16 7/8" OAL |
| P-231-1116 | G | Stem for 16" C-134 Hydrant | 18 7/8" OAL |
| P-231-1118 | G | Stem for 18" C-134 Hydrant | 20 7/8" OAL |
| P-231-1120 | G | Stem for 20" C-134 Hydrant | 22 7/8" OAL |
| P-231-1122 | G | Stem for 22" C-134 Hydrant | 24 7/8" OAL |
| P-231-1124 | G | Stem for 24" C-134 Hydrant | 26 7/8" OAL |
| P-231-11US | G | *Universal Replacement Stem for C-134 Hydrant | Up to 16 7/8" OAL |

For the **old style C-134 Series wall hydrant stems, see C-134 Series retired style spec sheet at www.PRIER.com. PRIER universal stems are replacement stems for any size from close coupled to 14." They require cutting the rod to proper length and soldering the brass stem end to the rod as directed in instructions.



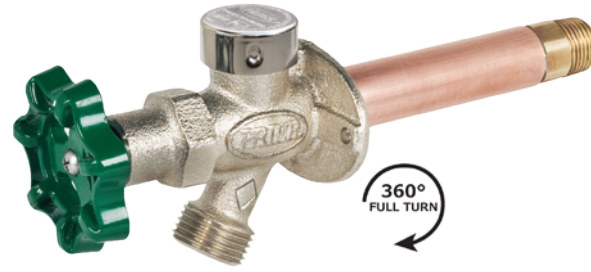
4515 East 139th Street
Grandview, MO 64030
(800) 362-9055
Fax (800) 362-1463
www.PRIER.com

C-144/244 Series Freezeless Wall Hydrant

With Anti-Siphon Vacuum Breaker

- Residential
- Freezeless
- Anti-Siphon
- Backflow Check Valve

C-244 Loose Key Design



360° FULL TURN



PRIER C-144 provides a year round source of water to areas of structures that are subject to freezing temperatures. The hydrant valve is connected to the supply piping in the heated portion of the structure, eliminating the possibility of freezing. Ordering the C-244 gives you the same style hydrant but with a vandal proof extended lockshield and operating key.

The PRIER C-144 has all the characteristics of the historically proven C-134 with the added protection of an anti-siphon vacuum breaker and backflow check valve. It is available from stock in lengths from close coupled to 24", longer sizes are available on request.

- ASSE 1019 and C-UPC approved
- Anti-siphon vacuum breaker with backflow check valve
- Aluminum vacuum breaker cap with increased durability
- Integral cast flange with built-in drainage pitch
- Enclosed screw holes easily secure mounting screws
- Solid brass body, valve stem cap, seat and stem ends
- Satin nickel plated body maintains attractive finish
- Stainless steel seat washer screw and handle screw
- Powder coated cast aluminum handle
- Durable ACME threads secure stem at seat end
- Lock shield cap for stronger valve design
- AFG teflon with graphite packing for easy maintenance
- Standard "OO" size seat washer
- Spout aligning mark
- Slim seat inlet for easier installation

Inlet Styles

- D Style**
1/2" MIP x 1/2" SWT
- S Style**
1/2" SWT x 3/4" Push-On
- X Style**
1/2" Crimp PEX
- W Style**
1/2" Wirsbo® PEX
- C Style**
1/2" CPVC Glue-In
- T Style**
3/4" MIP x 1/2" FIP
- F Style**
3/4" MIP x 3/4" SWT
- FX Style**
3/4" Crimp PEX
- FW Style**
3/4" Wirsbo® PEX

C-144D10

- | | | |
|----------------------------|----------------------------|-------------------|
| Operator | Inlet | Length |
| 1- Handle Operated | D- 1/2" MPT x 1/2" SWT | CC- Close Coupled |
| 2- Vandal Proof Lockshield | F- 3/4" MPT x 3/4" SWT | 04- 4" Insertion |
| | S- 1/2" SWT x 3/4" Push-On | 06- 6" Insertion |
| | T- 3/4" MIP x 1/2" FIP | 08- 8" Insertion |
| | W- 1/2" Wirsbo PEX® | 10- 10" Insertion |
| | C- 1/2" CPVC Glue-In | 12- 12" Insertion |
| | X- 1/2" Crimp PEX | 14- 14" Insertion |
| | FX- 3/4" Crimp PEX | 16- 16" Insertion |
| | FW- 3/4" Wirsbo PEX® | 18- 18" Insertion |
| | | 20- 20" Insertion |
| | | 22- 22" Insertion |
| | | 24- 24" Insertion |
| | | XX- Special Size |

Application

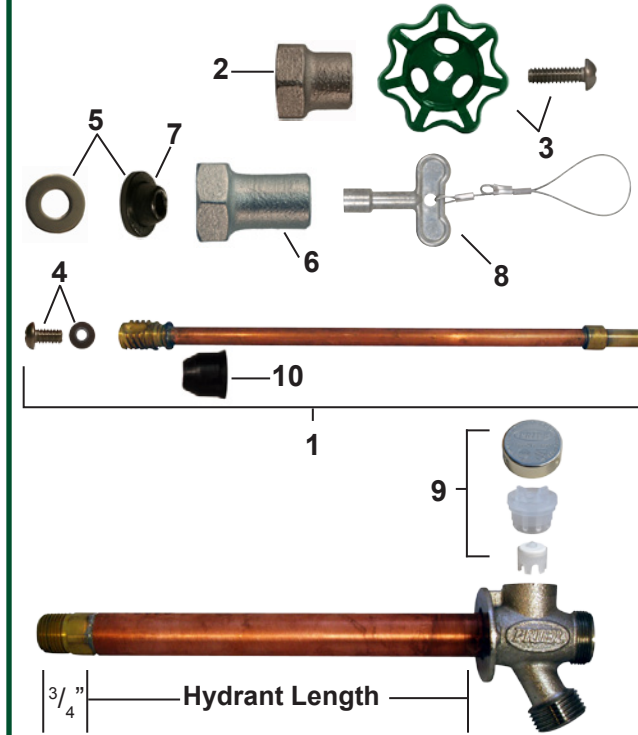
Features

Ordering



4515 East 139th Street
Grandview, MO 64030
(800) 362-9055
Fax (800) 362-1463
www.PRIER.com

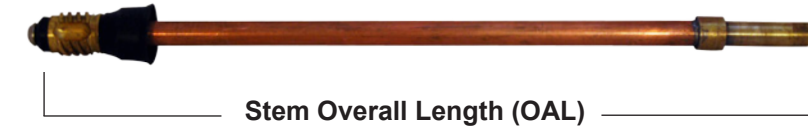
Replacement Parts



| ID | Part No. | Description |
|----|-------------|---------------------------------------------|
| 1 | See Below | Stem Assembly, Contains: 1, 4, 10 |
| 2 | 300-1008 | Valve Stem Cap |
| 3 | C-134KT-805 | Oval Handle and Screw Kit |
| 4 | C-134KT-802 | Seat Washer Replacement Kit (00 Beveled) |
| 5 | C-134KT-803 | Stem Packing Replacement Kit |
| 6 | 310-1015 | Valve Stem Cap for Loose Key |
| 7 | 390-1001 | Stem Packing Only |
| 8 | C-108KT-808 | Oval Style Key on Lanyard |
| 9 | C-144KT-806 | Universal Vacuum Breaker Replacement Kit |
| 10 | 336-0002 | Backflow Check Valve for C-144 |
| | C-134KT-804 | Loose Key Conversion Kit Contains: 5,6,8 |
| | C-144KT-807 | C-144 Overhaul Kit Contains: 3, 4, 5, 9, 10 |

*The C-144KT-806 Universal Vacuum Breaker Kit fits all current and past PRIER and Mansfield style residential hydrants.

Replacement Stems



G Style Manufactured April 2013 - Present

| Part No. | Style | Description | Stem Length |
|------------|-------|-----------------------------------------------|-------------------|
| P-231-12CC | G | Close Coupled Stem for C-144 Hydrant | 4 3/8" OAL |
| P-231-1204 | G | Stem for 4" C-144 Hydrant | 6 7/8" OAL |
| P-231-1206 | G | Stem for 6" C-144 Hydrant | 8 7/8" OAL |
| P-231-1208 | G | Stem for 8" C-144 Hydrant | 10 7/8" OAL |
| P-231-1210 | G | Stem for 10" C-144 Hydrant | 12 7/8" OAL |
| P-231-1212 | G | Stem for 12" C-144 Hydrant | 14 7/8" OAL |
| P-231-1214 | G | Stem for 14" C-144 Hydrant | 16 7/8" OAL |
| P-231-1216 | G | Stem for 16" C-144 Hydrant | 18 7/8" OAL |
| P-231-1218 | G | Stem for 18" C-144 Hydrant | 20 7/8" OAL |
| P-231-1220 | G | Stem for 20" C-144 Hydrant | 22 7/8" OAL |
| P-231-1222 | G | Stem for 22" C-144 Hydrant | 24 7/8" OAL |
| P-231-1224 | G | Stem for 24" C-144 Hydrant | 26 7/8" OAL |
| P-231-12US | G | *Universal Replacement Stem for C-144 Hydrant | Up to 16 7/8" OAL |

For the **old style C-144 Series wall hydrant stems, see C-144 Series retired style spec sheet at www.PRIER.com. PRIER universal stems are replacement stems for any size from close coupled to 14." They require cutting the rod to proper length and soldering the brass stem end to the rod as directed in instructions.

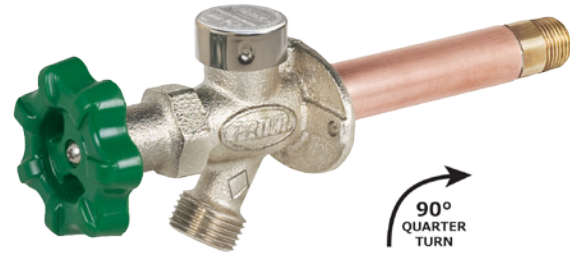


4515 East 139th Street
Grandview, MO 64030
(800) 362-9055
Fax (800) 362-1463
www.PRIER.com

P-164/264 Series Freezeless Wall Hydrant

Quarter Turn with Soft Grip Handle

P-264 Loose Key Design



90°
QUARTER
TURN

- Residential
- Freezeless
- Anti-Siphon
- Backflow Check Valve



PRIER P-164 provides a year round source of water to areas of structures that are subject to freezing temperatures. The hydrant valve is connected to the supply piping in the heated portion of the structure, eliminating the possibility of freezing. The P-164 has the added benefit of an easy operation quarter turn that features a proven compression type seal. Additionally, the P-164 features a soft grip operating handle for easy operation in wet conditions and cold weather.

Ordering the P-264 gives you the same style hydrant but with a vandal proof extended lockshield and operating key. It is available from stock in lengths from close coupled to 24", longer sizes are available on request.

- ASSE 1019 and C-UPC approved
- Quarter-turn soft-grip coated cast aluminum handle
- Anti-siphon vacuum breaker with backflow check valve
- Aluminum vacuum breaker cap with increased durability
- Integral cast flange with built-in drainage pitch
- Enclosed screw holes easily secure mounting screws
- Solid brass body, valve stem cap, seat and stem ends
- Satin nickel plated body maintains attractive finish
- Stainless steel seat washer screw and handle screw
- Durable ACME threads secure stem at seat end
- Lock shield cap for stronger valve design
- AFG teflon with graphite packing for easy maintenance
- Standard "OO" size seat washer
- Spout aligning mark
- Slim seat inlet for easier installation

Inlet Styles



Application

Features

Ordering

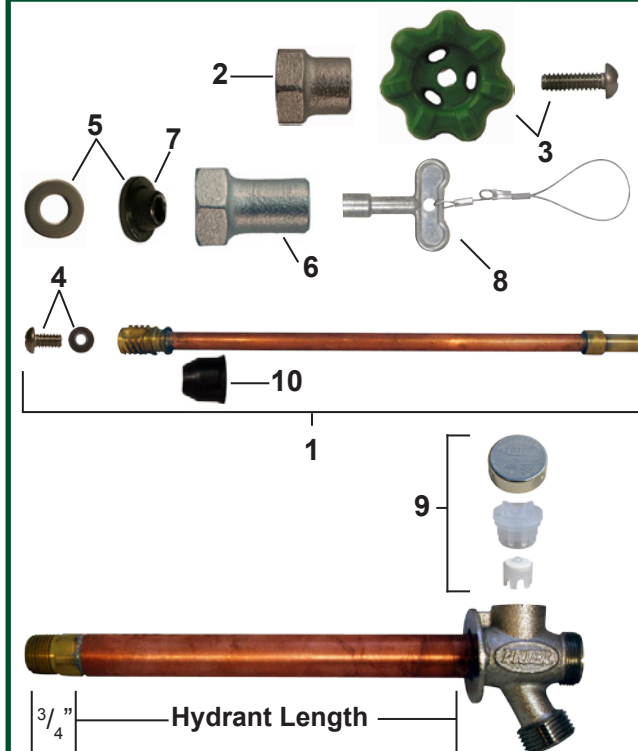
P-164D10

| Operator | Inlet | Length |
|----------------------------|----------------------------|-------------------|
| 1- Handle Operated | D- 1/2" MPT x 1/2" SWT | CC- Close Coupled |
| 2- Vandal Proof Lockshield | F- 3/4" MPT x 3/4" SWT | 04- 4" Insertion |
| | S- 1/2" SWT x 3/4" Push-On | 06- 6" Insertion |
| | T- 3/4" MIP x 1/2" FIP | 08- 8" Insertion |
| | W- 1/2" Wirsbo PEX® | 10- 10" Insertion |
| | C- 1/2" CPVC Glue-In | 12- 12" Insertion |
| | X- 1/2" Crimp PEX | 14- 14" Insertion |
| | FX- 3/4" Crimp PEX | 16- 16" Insertion |
| | FW- 3/4" Wirsbo PEX® | 18- 18" Insertion |
| | | 20- 20" Insertion |
| | | 22- 22" Insertion |
| | | 24- 24" Insertion |
| | | XX- Special Size |



4515 East 139th Street
Grandview, MO 64030
(800) 362-9055
Fax (800) 362-1463
www.PRIER.com

Replacement Parts



| ID | Part No. | Description |
|----|-------------|---------------------------------------------|
| 1 | See Below | Stem Assembly, Contains: 1, 4, 10 |
| 2 | 300-1008 | Valve Stem Cap |
| 3 | P-164KT-805 | Oval Handle and Screw Kit |
| 4 | C-134KT-802 | Seat Washer Replacement Kit (00 Beveled) |
| 5 | C-134KT-803 | Stem Packing Replacement Kit |
| 6 | 310-1015 | Valve Stem Cap for Loose Key |
| 7 | 390-1001 | Stem Packing Only |
| 8 | C-108KT-808 | Oval Style Key on Lanyard |
| 9 | C-144KT-806 | Universal Vacuum Breaker Replacement Kit |
| 10 | 336-0002 | Backflow Check Valve for P-164 |
| | C-134KT-804 | Loose Key Conversion Kit Contains: 5,6,8 |
| | P-164KT-807 | P-164 Overhaul Kit Contains: 3, 4, 5, 9, 10 |

*The C-144KT-806 Universal Vacuum Breaker Kit fits all current and past PRIER and Mansfield style residential hydrants.

Replacement Stems



Stem Overall Length (OAL)

H Style Manufactured April 2013 - Present

| Part No. | Style | Description | Stem Length |
|------------|-------|-----------------------------------------------|---------------|
| P-231-15CC | H | Close Coupled Stem for P-164 Hydrant | 4 1/2" OAL |
| P-231-1504 | H | Stem for 4" P-164 Hydrant | 7" OAL |
| P-231-1506 | H | Stem for 6" P-164 Hydrant | 9" OAL |
| P-231-1508 | H | Stem for 8" P-164 Hydrant | 11" OAL |
| P-231-1510 | H | Stem for 10" P-164 Hydrant | 13" OAL |
| P-231-1512 | H | Stem for 12" P-164 Hydrant | 15" OAL |
| P-231-1514 | H | Stem for 14" P-164 Hydrant | 17" OAL |
| P-231-1516 | H | Stem for 16" P-164 Hydrant | 19" OAL |
| P-231-1518 | H | Stem for 18" P-164 Hydrant | 21" OAL |
| P-231-1520 | H | Stem for 20" P-164 Hydrant | 23" OAL |
| P-231-1522 | H | Stem for 22" P-164 Hydrant | 25" OAL |
| P-231-1524 | H | Stem for 24" P-164 Hydrant | 27" OAL |
| P-231-15US | H | *Universal Replacement Stem for P-164 Hydrant | Up to 17" OAL |

**For the old style P-164 Series wall hydrant stems, see P-164 Series retired style spec sheet at www.PRIER.com. PRIER universal stems are replacement stems for any size from close coupled to 14." They require cutting the rod to proper length and soldering the brass stem end to the rod as directed in instructions.



4515 East 139th Street
Grandview, MO 64030
(800) 362-9055
Fax (800) 362-1463
www.PRIER.com



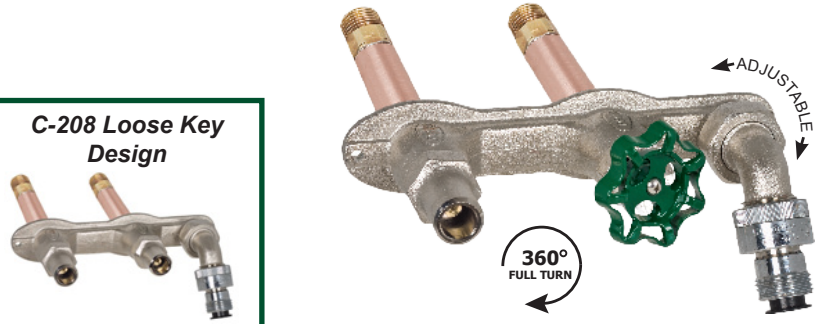
4515 East 139th Street
Grandview, MO 64030
(800) 362-9055
Fax (800) 362-1463
www.PRIER.com

Application

C-108/208 Hot & Cold Wall Hydrant

Vertical or Horizontal Installation

C-208 Loose Key Design



- Residential
- Freezeless
- Anti-Siphon
- Hot & Cold Mixing



PRIER C-108 provides a year round source of tempered water to areas of structures that are subject to freezing temperatures. The hydrant valve is connected to the supply piping in the heated portion of the structure, eliminating the possibility of freezing. The hot side is loose key operated to prevent unauthorized operation. Unique to its patented design, the same product is available as horizontal or vertical. Ordering the C-208 gives you the same style hydrant but with vandal proof extended lockshields with operating key on both hot and cold stems.

The PRIER C-108 has all the characteristics of the historically proven C-134 with the added protection of a self-draining anti-siphon vacuum breaker and backflow check valve. It is available from stock in lengths from close coupled to 24", longer sizes are available on request.

Features

- Horizontal or vertical installation with same product
- Anti-siphon vacuum breaker with backflow check valve
- Internal checks to prevent thermal migration
- 3 1/2" center-to-center installation template provided
- Enclosed screw holes easily secure mounting screws
- Solid brass body, valve stem cap, seat and stem Ends
- Satin nickel plated body maintains attractive finish
- Stainless steel seat washer screw and handle screw
- Durable ACME threads secure stem at seat end
- Lock shield cap for stronger valve design
- AFG teflon with graphite packing for easy maintenance
- Standard "OO" size seat washer
- Spout aligning mark

Ordering

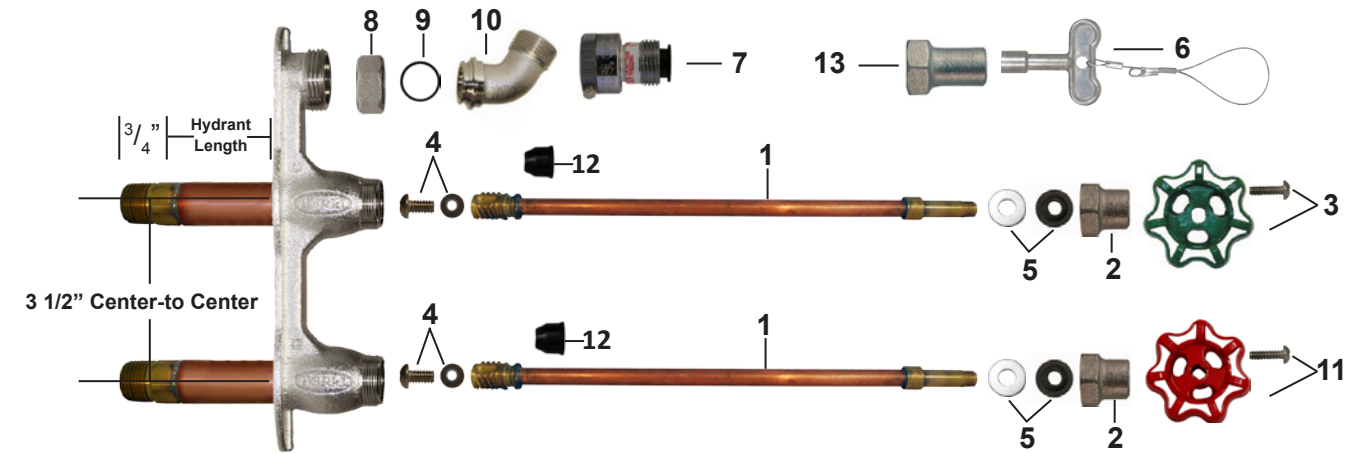
C-108D10

| Operator | Inlet | Length |
|----------------------------|----------------------------|-------------------|
| 1- Handle Operated | D- 1/2" MPT x 1/2" SWT | CC- Close Coupled |
| 2- Vandal Proof Lockshield | F- 3/4" MPT x 3/4" SWT | 04- 4" Insertion |
| | S- 1/2" SWT x 3/4" Push-On | 06- 6" Insertion |
| | T- 3/4" MIP x 1/2" FIP | 08- 8" Insertion |
| | W- 1/2" Wirsbo PEX® | 10- 10" Insertion |
| | C- 1/2" CPVC Glue-In | 12- 12" Insertion |
| | X- 1/2" Crimp PEX | 14- 14" Insertion |
| | FX- 3/4" Crimp PEX | 16- 16" Insertion |
| | FW- 3/4" Wirsbo PEX® | 18- 18" Insertion |
| | | 20- 20" Insertion |
| | | 22- 22" Insertion |
| | | 24- 24" Insertion |
| | | XX- Special Size |

Inlet Styles



Replacement Parts



| ID | Part No. | Description | ID | Part No. | Description |
|----|-------------|-----------------------------------|----|-------------|----------------------------------------------|
| 1 | See Below | Stem Assembly, Contains: 1, 4, 12 | 8 | 300-0030 | Hose Thread Nut |
| 2 | 300-1008 | Valve Stem Cap | 9 | 336-0005 | O-Ring for Hose Thread Adapter |
| 3 | C-134KT-805 | Oval Handle and Screw Kit | 10 | 300-0029 | Hose Thread Adapter |
| 4 | C-134KT-802 | Seat Washer Kit (00 Beveled) | 11 | C-108KT-805 | Red Handle and Screw Kit |
| 5 | C-134KT-803 | Stem Packing Kit | 12 | 336-0002 | Backflow Check Valve for C-108 |
| 6 | C-108KT-808 | Loose Key on Lanyard | 13 | 310-1015 | Loose Key Valve Stem Cap |
| 7 | P-003CP | Replacement Vacuum Breaker | | C-134KT-804 | Loose Key Conversion Kit, Contains: 5, 6, 13 |

Replacement Stems



Stem Overall Length (OAL)
G Style Manufactured April 2013 - Present

| Part No. | Style | Description | Stem Length |
|------------|-------|-----------------------------------------------|-------------------|
| P-231-12CC | G | Close Coupled Stem for C-108 Hydrant | 4 3/8" OAL |
| P-231-1204 | G | Stem for 4" C-108 Hydrant | 6 7/8" OAL |
| P-231-1206 | G | Stem for 6" C-108 Hydrant | 8 7/8" OAL |
| P-231-1208 | G | Stem for 8" C-108 Hydrant | 10 7/8" OAL |
| P-231-1210 | G | Stem for 10" C-108 Hydrant | 12 7/8" OAL |
| P-231-1212 | G | Stem for 12" C-108 Hydrant | 14 7/8" OAL |
| P-231-1214 | G | Stem for 14" C-108 Hydrant | 16 7/8" OAL |
| P-231-1216 | G | Stem for 16" C-108 Hydrant | 18 7/8" OAL |
| P-231-1218 | G | Stem for 18" C-108 Hydrant | 20 7/8" OAL |
| P-231-1220 | G | Stem for 20" C-108 Hydrant | 22 7/8" OAL |
| P-231-1222 | G | Stem for 22" C-108 Hydrant | 24 7/8" OAL |
| P-231-1224 | G | Stem for 24" C-108 Hydrant | 26 7/8" OAL |
| P-231-12US | G | *Universal Replacement Stem for C-108 Hydrant | Up to 16 7/8" OAL |

**For the old style C-108 Series wall hydrant stems, see C-108 Series retired style spec sheet at www.PRIER.com. PRIER universal stems are replacement stems for any size from close coupled to 14." They require cutting the rod to proper length and soldering the brass stem end to the rod as directed in instructions.



4515 East 139th Street
Grandview, MO 64030
(800) 362-9055
Fax (800) 362-1463
www.PRIER.com



4515 East 139th Street
Grandview, MO 64030
(800) 362-9055
Fax (800) 362-1463
www.PRIER.com

Application

C-434 Heavy Residential Wall Hydrant

With Integral P-004 Vacuum Breaker



- Residential
- Freezeless
- Anti-Siphon
- Double Check Valve



PRIER C-434 provides a year round source of water to areas of structures that are subject to freezing temperatures. The hydrant valve is connected to the supply piping in the heated portion of the structure, eliminating the possibility of freezing. To assure freeze protection, the hydrant will drain even with the hose attached and under pressure without sprayback!

The C-434 combines freezeless hydrant features with self-draining, anti-siphon and two backflow check valves! The vacuum breaker/backflow preventer provides protection against cross-connection of the potable water supply, while venting to eliminate any vacuum. Upon closure, valve drains even with closed end hose attached. No special installation tools are required.

Features

- ASSE 1052 and C-UPC approved
- Double check valve and anti-siphon vacuum breaker
- Drains automatically with hose attached
- Integral cast flange with built-in drainage pitch
- Solid brass body, valve stem cap, seat and stem ends
- Satin nickel plated body, cap and vacuum breaker
- Durable ACME threads secure stem at seat end
- Compact and powder coated cast aluminum handle
- Metal collar covers drainage holes and protects against insect nesting while closing under pressure
- Multiple vent holes ensure proper draining
- Cycle tested to simulate 25 years minimum service
- Patent protected

Ordering

C-434D10

Inlet
D- 1/2" MPT x 1/2" SWT
F- 3/4" MPT x 3/4" SWT
T- 3/4" MIP x 1/2" FIP
W- 1/2" Wirsbo PEX®
X- 1/2" Crimp PEX

Length
CC- Close Coupled
04- 4" Insertion
06- 6" Insertion
08- 8" Insertion
10- 10" Insertion
12- 12" Insertion
14- 14" Insertion
16- 16" Insertion
18- 18" Insertion
20- 20" Insertion
22- 22" Insertion
24- 24" Insertion
XX- Special Size

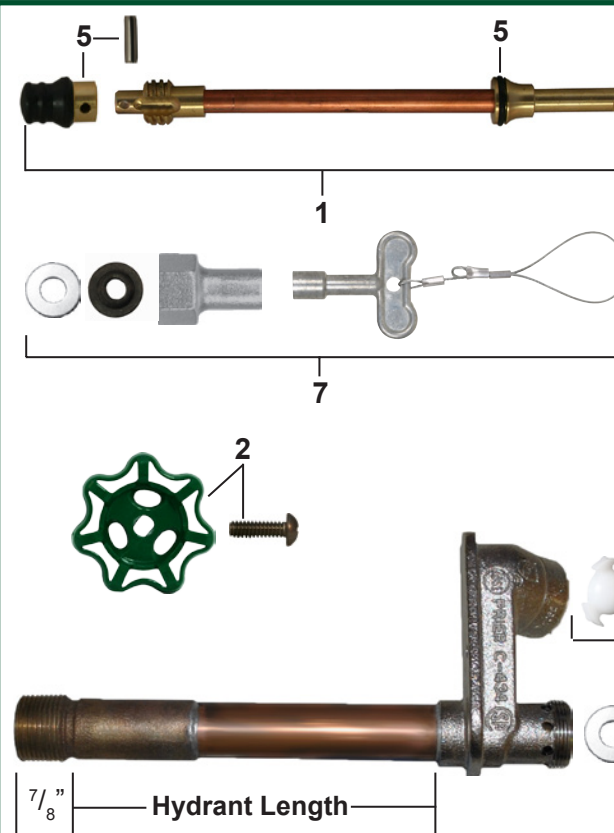
Inlet Styles



Materials

Brass Body, Stem Ends (2), Seat, Valve Stem Cap
Hard Copper Operating Stem, Shaft
EPDM Drain Seal O-Ring, Triple Seal Stopper, Packing
Silicone Vacuum Breaker Washer
Acetal Vacuum Breaker Check Spider
Stainless Steel Handle Screw and Seat Pin
Aluminum Operating Handle

Replacement Parts



| ID | Part No. | Description |
|----|-------------|------------------------------------------------|
| 1 | See Below | Stem Assembly, Contains: 1, 5 |
| 2 | C-134KT-805 | Operating Handle and Screw Kit |
| 3 | C-434KT-903 | Stem Packing and Washer Kit |
| 4 | C-434KT-906 | Vacuum Breaker Repair Kit |
| 5 | C-434KT-902 | Stopper and Pin Kit (with tool and o-ring) |
| 6 | 300-1011 | Valve Stem Cap for C-434 |
| 7 | C-434KT-804 | Loose Key Conversion Kit to C-534 |
| | C-434KT-907 | Overhaul Kit for C-434 Contains: 2, 3, 4, 5 |

*When assembling the vacuum breaker, ensure the dome is facing out on the check spider and the step is facing out on the silicone washer.

Replacement Stems



| Part No. | Description | Stem Length |
|------------|--------------------------------------------|-------------|
| P-231-04CC | Close Coupled Stem for C-434/C-534 Hydrant | 3 7/8" OAL |
| P-231-0404 | Stem for 4" C-434/C-534 Hydrant | 6 3/4" OAL |
| P-231-0406 | Stem for 6" C-434/C-534 Hydrant | 8 3/4" OAL |
| P-231-0408 | Stem for 8" C-434/C-534 Hydrant | 10 3/4" OAL |
| P-231-0410 | Stem for 10" C-434/C-534 Hydrant | 12 3/4" OAL |
| P-231-0412 | Stem for 12" C-434/C-534 Hydrant | 14 3/4" OAL |
| P-231-0414 | Stem for 14" C-434/C-534 Hydrant | 16 3/4" OAL |
| P-231-0416 | Stem for 16" C-434/C-534 Hydrant | 18 3/4" OAL |
| P-231-0418 | Stem for 18" C-434/C-534 Hydrant | 20 3/4" OAL |
| P-231-0420 | Stem for 20" C-434/C-534 Hydrant | 22 3/4" OAL |
| P-231-0422 | Stem for 22" C-434/C-534 Hydrant | 24 3/4" OAL |
| P-231-0424 | Stem for 24" C-434/C-534 Hydrant | 26 3/4" OAL |

For the **old style C-434 Series wall hydrant stems, see C-434 Series retired style spec sheet at www.PRIER.com.

- Page 23** C-534 Light Duty Commercial Wall Hydrant
- Page 25** C-633 Mild Climate Commercial Wall Hydrant
- Page 27** C-634 Heavy Duty Commercial Wall Hydrant
- Page 29** C-734 Heavy Commercial Mixing Hydrant
- Page 31** P-RH1 Flush Mount Roof Hydrant
- Page 33** P-RH2 Post Mount Roof Hydrant
- Page 35** P-RH3 Mild Climate Roof Hydrant
- Page 37** P-RMB Universal Mounting Bracket

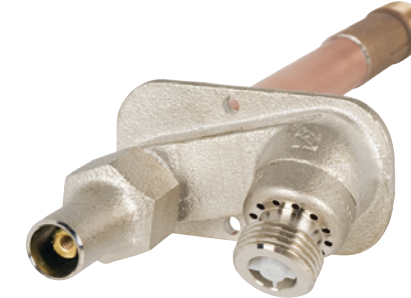
COMMERCIAL HYDRANTS



4515 East 139th Street
Grandview, MO 64030
(800) 362-9055
Fax (800) 362-1463
www.PRIER.com

C-534 Commercial Wall Hydrant

With Integral P-004 Vacuum Breaker



- Commercial
- Freezeless
- Anti-Siphon
- Double Check Valve



Application

PRIER C-534 provides a year round source of water to areas of structures that are subject to freezing temperatures. The hydrant valve is connected to the supply piping in the heated portion of the structure, eliminating the possibility of freezing. To assure freeze protection, the hydrant will drain even with the hose attached and under pressure without sprayback!

The C-534 combines freezeless hydrant features with self-draining, anti-siphon and two backflow check valves! The vacuum breaker/backflow presenter provides protection against cross-connection of the potable water supply, while venting to eliminate any vacuum. The C-534 has an extended vandal proof lockshield with loose key. Upon closure, valve drains even with closed end hose attached. No special installation tools are required.

Features

- ASSE 1052 and C-UPC approved
- Double check valve and anti-siphon vacuum breaker
- Drains automatically with hose attached
- Integral cast flange with built-in drainage pitch
- Solid brass body, valve stem cap, seat and stem ends
- Satin nickel plated body, cap and vacuum breaker
- Durable ACME threads secure stem at seat end
- Compact and powder coated cast aluminum handle
- Metal collar covers drainage holes and protects against insect nesting while closing under pressure
- Multiple vent holes ensure proper draining
- Cycle tested to simulate 25 years minimum service
- Patent protected
- Field testable as required by ASSE 1052

Inlet Styles

- D Style**
1/2" MIP x 1/2" SWT
- F Style**
3/4" MIP x 3/4" SWT
- T Style**
3/4" MIP x 1/2" FIP
- X Style**
1/2" Crimp PEX

Ordering

C-534D10

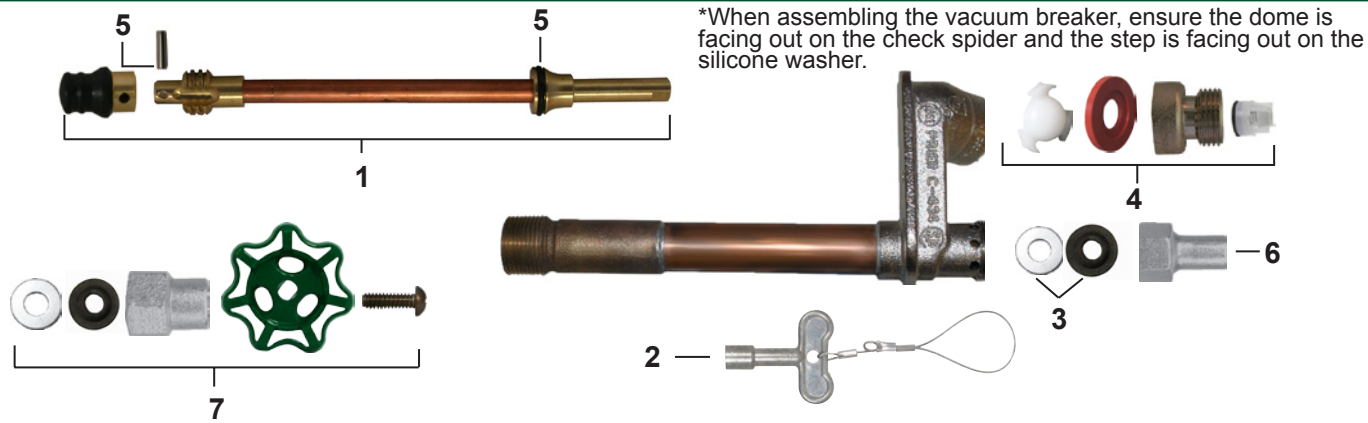
- | | |
|----------------------------------------------------------------------------------------------------------------------------|----------------------------------------------------------------------------------------------------------------------------------------------------------------------------------------------------------------------------------------------------------------------------------------------------------------|
| <p>Inlet D- 1/2" MPT x 1/2" SWT F- 3/4" MPT x 3/4" SWT T- 3/4" MIP x 1/2" FIP X- 1/2" Crimp PEX</p> | <p>Length CC- Close Coupled 04- 4" Insertion 06- 6" Insertion 08- 8" Insertion 10- 10" Insertion 12- 12" Insertion 14- 14" Insertion 16- 16" Insertion 18- 18" Insertion 20- 20" Insertion 22- 22" Insertion 24- 24" Insertion XX- Special Size</p> |
|----------------------------------------------------------------------------------------------------------------------------|----------------------------------------------------------------------------------------------------------------------------------------------------------------------------------------------------------------------------------------------------------------------------------------------------------------|

Materials

- | | |
|------------------------|-------------------------------------------------|
| Brass | Body, Stem Ends (2), Seat, Valve Stem Cap |
| Hard Copper | Operating Stem, Shaft |
| EPDM | Drain Seal O-Ring, Triple Seal Stopper, Packing |
| Silicone | Vacuum Breaker Washer |
| Acetal | Vacuum Breaker Check Spider |
| Stainless Steel | Seat Pin |
| Aluminum | Loose Key |



4515 East 139th Street
Grandview, MO 64030
(800) 362-9055
Fax (800) 362-1463
www.PRIER.com



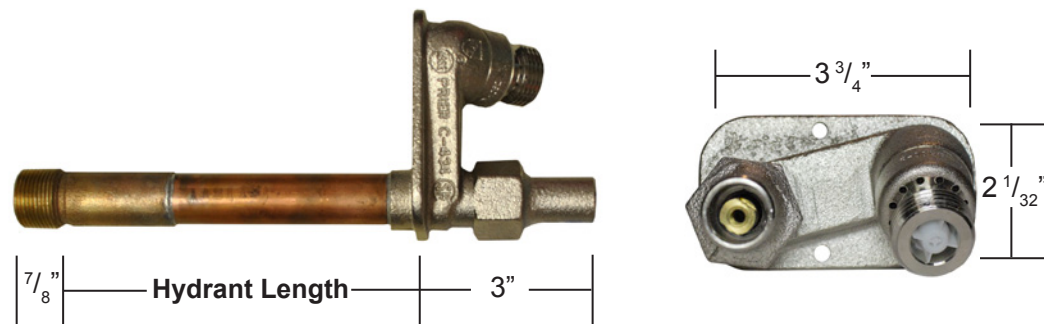
*When assembling the vacuum breaker, ensure the dome is facing out on the check spider and the step is facing out on the silicone washer.

| ID | Part No. | Description | ID | Part No. | Description |
|----|------------|-----------------------------------------------|----|-------------|-------------------------------------------------|
| 1 | See Below | Stem Assembly, Contains: 1, 5 | | P-231-0420 | Stem for 20" C-434/C-534 Hydrant, 22 3/4" OAL |
| | P-231-04CC | Stem for CC C-434/C-534 Hydrant, 3 7/8" OAL | | P-231-0422 | Stem for 22" C-434/C-534 Hydrant, 24 3/4" OAL |
| | P-231-0404 | Stem for 4" C-434/C-534 Hydrant, 6 3/4" OAL | | P-231-0424 | Stem for 24" C-434/C-534 Hydrant, 26 3/4" OAL |
| | P-231-0406 | Stem for 6" C-434/C-534 Hydrant, 8 3/4" OAL | 2 | C-108KT-808 | Loose Key on Lanyard |
| | P-231-0408 | Stem for 8" C-434/C-534 Hydrant, 10 3/4" OAL | 3 | C-434KT-903 | Stem Packing and Washer Kit |
| | P-231-0410 | Stem for 10" C-434/C-534 Hydrant, 12 3/4" OAL | 4 | C-434KT-906 | Vacuum Breaker Repair Kit |
| | P-231-0412 | Stem for 12" C-434/C-534 Hydrant, 14 3/4" OAL | 5 | C-434KT-902 | Stopper and Pin Kit (with tool and o-ring) |
| | P-231-0414 | Stem for 14" C-434/C-534 Hydrant, 16 3/4" OAL | 6 | 300-1021 | Valve Stem Cap for C-534 |
| | P-231-0416 | Stem for 16" C-434/C-534 Hydrant, 18 3/4" OAL | 7 | C-534KT-804 | Handle Conversion Kit to C-434 |
| | P-231-0418 | Stem for 18" C-434/C-534 Hydrant, 20 3/4" OAL | | C-534KT-907 | Overhaul Kit for C-534, Contains: 2, 3, 4, 5, 6 |

For the **old style C-534 Series wall hydrant stems, see C-534 Series retired style spec sheet at www.PRIER.com.

Cross Section Top View

Front Face Plate View



Furnish and install Freezeless Model C-534 Commercial Wall Hydrant as manufactured by PRIER Products, Inc. Hydrant shall have automatic draining capabilities with integral ASSE 1052 approved double check vacuum breaker/backflow preventor. Hydrant shall have 3/4" hose connection with freezeless water flow and self-draining functions. After hydrant is turned in the "off" position, hydrant must be capable of draining even with the hose attached and under pressure without sprayback. Hydrant shall be constructed of all non-ferrous materials with EPDM sealing mechanisms. Hydrant body must be satin nickel plated. For stability of operation, hydrant stem shall be secured at the seat end with ACME type threads and at the handle end with the packing nut. Lockshield must be long enough to ensure operation only with the included operating key.

Hydrant must be installed through a 1 1/8" diameter hole without any custom brick cutting. Hydrant body shall incorporate proper drainage pitch to ensure proper drainage. Operating Key is to be furnished with each hydrant. Hydrant insertion length to be 2 inches. *Close coupled to 24" in 2" increments.



4515 East 139th Street
Grandview, MO 64030
(800) 362-9055
Fax (800) 362-1463
www.PRIER.com

C-633 Mild Climate Commercial Wall Hydrant

With Integral P-004 Vacuum Breaker



C-633NSV
360° Swivel Inlet

C-633NCC
Straight Pattern Inlet

- Commercial/Industrial
- Anti-Siphon
- Backflow Check Valve



The C-633 Series is a heavy duty wall hydrant designed for installation in mild climates. The C-633NSV has a versatile 360° swivel, while the C-633NCC has a straight brass pipe connection. Both models have inlets that will connect to either 3/4" MPT or 1" FPT pipe in tight spaces. These commercial wall hydrants are key operated, code approved, flow up to 19 GPM and have a box option that will allow for installation inside a 6" wall. The PRIER C-633 Mild Climate Wall Hydrants provide a year-round hose threaded source of water for structures. The C-633 has two options; one that includes a 360° swivel that allows a simple piping orientation inside a narrow wall. The other, is a close-coupled design for straight supply piping applications.

The ASSE 1052-approved integral vacuum breaker/backflow preventer provides protection against cross-connection with the potable water system, utilizing a check valve to prevent back pressure and a vacuum breaker to vent in the case of siphonage. A removable operating key is provided to prevent unauthorized usage of the hydrant.

- High flow rate, 19 gallons per minute at 25 PSI differential
- Heavy patterned, high quality brass castings
- Self-draining, even with hose attached and under pressure
- Tested to 250,000 cycles; designed to last the life of the plumbing system
- EPDM stopper with "triple seal" positive shutoff system for drip-free shutoff
- Satin nickel plated body retains original finish for years
- Can be installed in horizontal or vertical position
- Self-cleaning spring less backflow check valve prevents water hammer and system noise
- Drainage ports are large enough to drain valve, and small enough to prevent insect nesting
- Listed and labeled to ASSE 1019-B or ASSE 1052, IAPMO/C-UPC

Wall Hydrant Only C-633NCC

Optional Hydrant Box C-634BX1

Inlet
N- 1" MPT x 3/4" FPT
P- 1" Male SWT x 3/4" Female SWT
V- 3/4" ProPress Ready
*P and V inlets only available with CC length

Length
CC- Close Coupled
SV- 360° Swivel

Box Finish
1- Satin Nickel Plated
2- Rough Brass



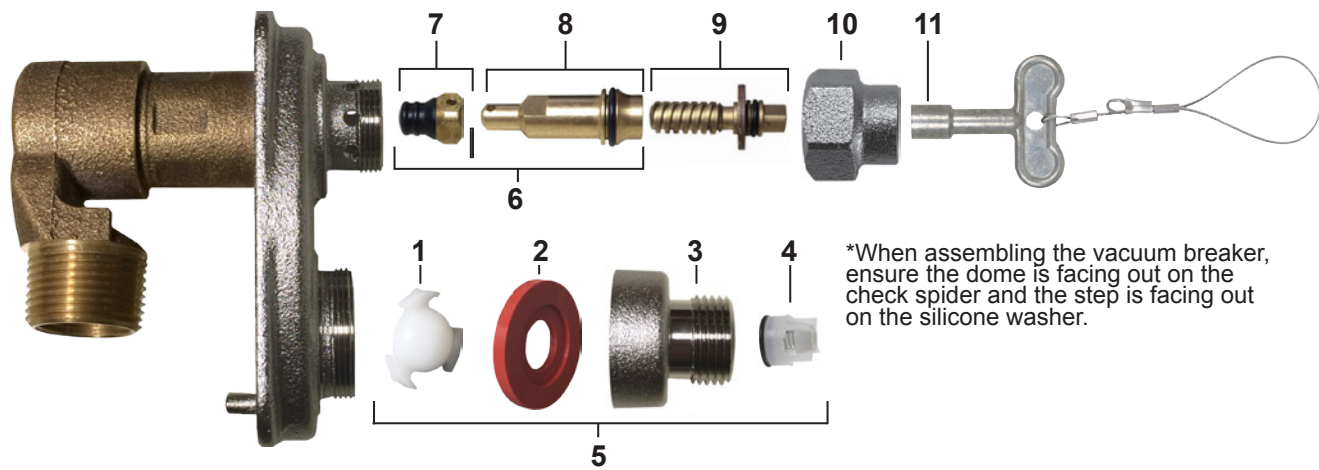


4515 East 139th Street
Grandview, MO 64030
(800) 362-9055
Fax (800) 362-1463
www.PRIER.com



4515 East 139th Street
Grandview, MO 64030
(800) 362-9055
Fax (800) 362-1463
www.PRIER.com

Replacement Parts & Stems

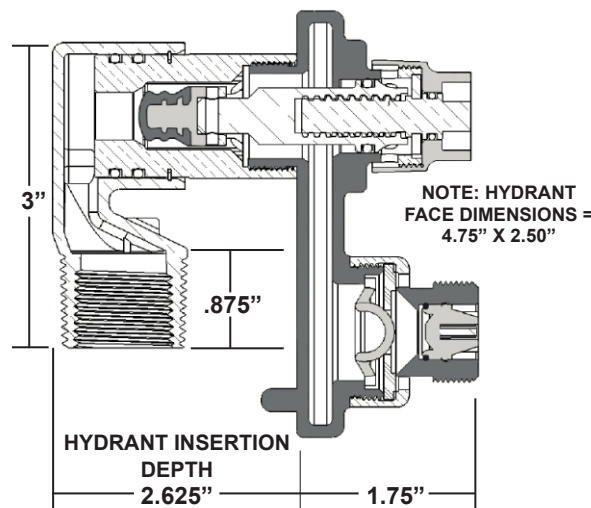


*When assembling the vacuum breaker, ensure the dome is facing out on the check spider and the step is facing out on the silicone washer.

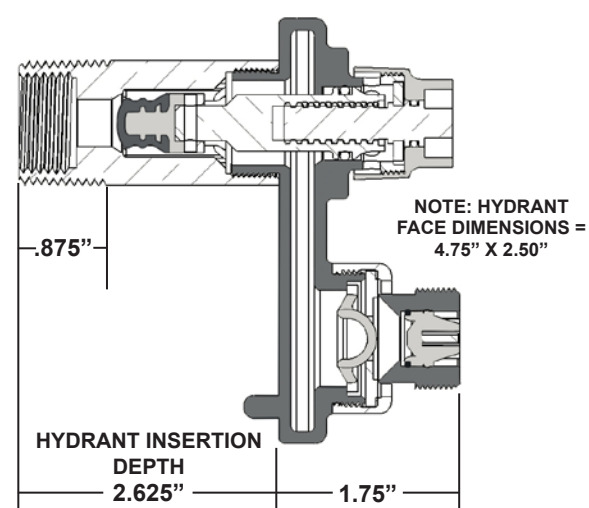
| ID | Part No. | Description | ID | Part No. | Description |
|----|-------------|-----------------------------|----|-------------|-------------------------------------------|
| 1 | 337-6001 | Check Spider-Vacuum Breaker | 7 | C-634KT-802 | Stopper Kit, Includes Stopper and Pin |
| 2 | 346-6001 | Diaphragm-Vacuum Breaker | 8 | C-633KT-809 | Worm Sleeve with O-Ring |
| 3 | 300-6004 | 3/4" Hose Piece (NP Brass) | 9 | C-634KT-809 | Worm Drive Assembly with O-Ring |
| | 310-6009 | 1" Hose Piece (NP Brass) | 10 | 300-6003 | Valve Stem Cap (NP Brass) |
| 4 | 399-0001 | Secondary Check | 11 | C-108KT-808 | Loose Key on Lanyard |
| 5 | C-634KT-806 | Vacuum Breaker Assembly | | C-633KT-807 | C-633 Overhaul Kit, Contains: 5, 6, 7, 11 |
| 6 | 231-06CC | Stem Assembly | | | |

Rough-In Dimensions

C-633NSV (360° Swivel)



C-633NCC (Straight)



Specs

Furnish and install (choose C-633NSV Model or C-633NCC Model) commercial key operated wall hydrant manufactured by PRIER Products, Inc. Hydrant shall be surface mounted and shall have automatic draining capabilities with integral vacuum breaker/backflow preventer. Hydrant shall be capable of flowing a minimum of 15 gallons per minute at 25 PSI pressure change. Hydrant shaft shall be brass with threaded and sealed connections. Hydrant shall have (choose 3/4" or 1") hose connection with self draining functions, one piece valve plunger, satin nickel finish, brass operating rod with positive triple-seal shutoff mechanism. Hydrant shall be approved under ASSE 1019-B or ASSE 1052 (choose option) standards. Operating key with lanyard to be furnished with each hydrant. Hydrant insertion to be specified as C-633NCC (straight with 3/4" FPT x 1" MPT connections), C-633PCC (straight with 3/4" x 1" sweat connections), C-633VCC (straight with 3/4" press-ready connection) or C-633NSV (360° swivel with 3/4" FPT x 1" MPT connections).

Optional: Furnish and install hydrant box for each hydrant. Hydrant box shall be manufactured in solid cast brass with a (choose from natural brass or satin-nickel plated brass) finish. Access to the hydrant box shall be provided by (choose hydrant's key or cylinder lock and key).

Application

C-634 Heavy Commercial Wall Hydrant

With Integral P-004 Vacuum Breaker



- Commercial/Industrial
- Freezeless
- Anti-Siphon
- Backflow Check Valve



PRIER C-634 provides a year round source of water to areas of structures that are subject to freezing temperatures. The hydrant valve is connected to the supply piping in the heated portion of the structure, eliminating the possibility of freezing. To assure freeze protection, the hydrant will drain even with the hose attached and under pressure.

The integral vacuum breaker/backflow preventor provides protection against cross-connection with the potable water system, utilizing a check valve to prevent back pressure and a vacuum breaker to vent in the case of siphonage. A removable operating key is provided to prevent unauthorized usage of the hydrant. No special installation tools are required.

Features

- High flow rate, 19 gallons per minute at 25 PSI differential
- Heavy pattern cast brass hydrant for use with or without brass or satin nickel box
- Satin nickel plated body retains original finish for years
- Heavy duty brass piping, significantly stronger than ordinary copper tubing, with threaded and sealed joints
- Simple, solderless design and solid non-ferrous operating rod for long wear life
- Patented PRIER "triple seal" positive shutoff system offers triple redundancy to assure shutoff
- Patented PRIER quick opening and modulating design require less force and fewer turns to operate
- Both 3/4" & 1" hose threads meet ASSE 1019 or ASSE 1052 & CSA B64.2 standards, listed at ASSE, CSA & IAPMO
- Multiple vent holes ensure proper draining and reduce problems associated with insect nesting
- Design enables valve to be easily secured to any type of inner wall, utilizing the provided clamping ring
- Single hole design assists in installation, the product is ideal for tilt-up construction, stone fronts or metal buildings
- Field testable as required by ASSE 1052

Ordering

Wall Hydrant Only

C-634N10

- | | | |
|---------------------------|------------------------------------|-------------------|
| Hose Thread Outlet | Inlet | Length |
| 4- 3/4" Garden Hose | N- 1" MPT x 3/4" FPT | CC- Close Coupled |
| 6- 1" Hose | P- 1" Male SWT x 3/4" Female SWT | 04- 4" Insertion |
| | V- 3/4" Copper-Press Fitting Ready | 06- 6" Insertion |
| | | 08- 8" Insertion |
| | | 10- 10" Insertion |
| | | 12- 12" Insertion |
| | | 14- 14" Insertion |
| | | 16- 16" Insertion |
| | | 18- 18" Insertion |
| | | 20- 20" Insertion |
| | | 22- 22" Insertion |
| | | 24- 24" Insertion |
| | | XX- Special Size |



Optional Hydrant Box

C-634BX1

- Box Finish**
- 1- Satin Nickel Plated
 - 2- Rough Brass



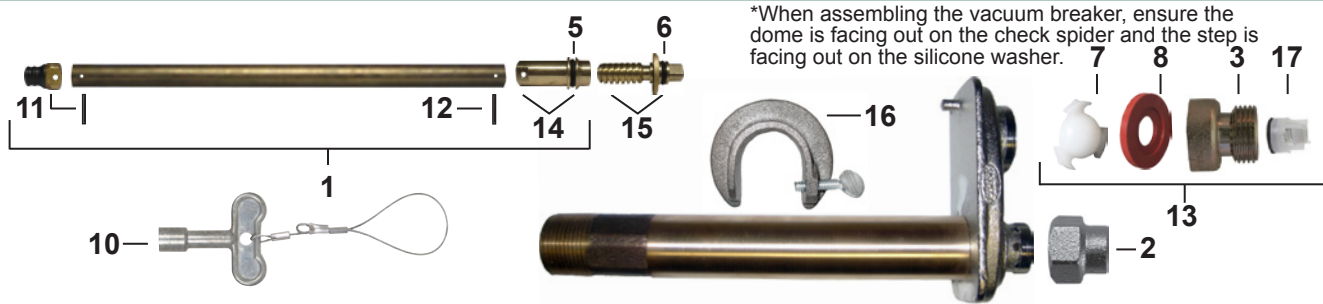


4515 East 139th Street
Grandview, MO 64030
(800) 362-9055
Fax (800) 362-1463
www.PRIER.com



4515 East 139th Street
Grandview, MO 64030
(800) 362-9055
Fax (800) 362-1463
www.PRIER.com

Replacement Parts & Stems

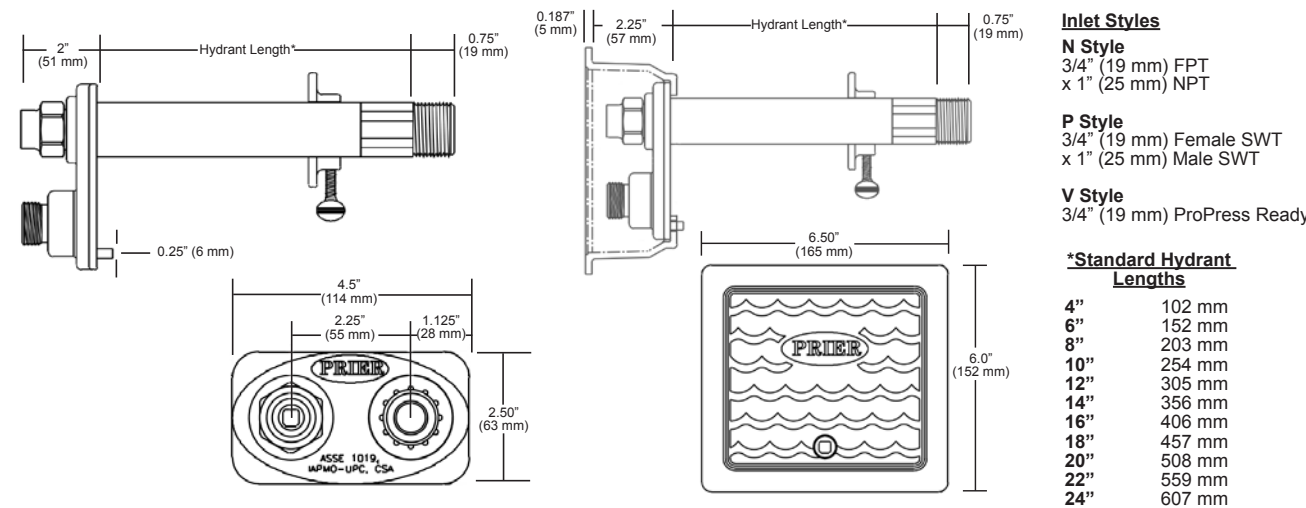


*When assembling the vacuum breaker, ensure the dome is facing out on the check spider and the step is facing out on the silicone washer.

| ID | Part No. | Description | ID | Part No. | Description |
|----|------------|-------------------------------------------|----------|------------------------------------|--------------------------------------------------|
| 1 | See Below | Stem Assembly, Contains: 5, 14 | 310-6009 | 1" Hose Piece for C-636 (NP Brass) | |
| | P-231-0604 | Stem for 4" C-634 Hydrant, 4 11/16" OAL | 5 | 336-0001 | O-Ring Worm Sleeve |
| | P-231-0606 | Stem for 6" C-634 Hydrant, 6 11/16" OAL | 6 | 336-6001 | O-Ring Worm Drive |
| | P-231-0608 | Stem for 8" C-634 Hydrant, 8 11/16" OAL | 7 | 337-6001 | Check Spider-Vacuum Breaker |
| | P-231-0610 | Stem for 10" C-634 Hydrant, 10 11/16" OAL | 8 | 346-6001 | Diaphragm-Vacuum Breaker |
| | P-231-0612 | Stem for 12" C-634 Hydrant, 12 11/16" OAL | 10 | C-108KT-808 | Loose Key on Lanyard |
| | P-231-0614 | Stem for 14" C-634 Hydrant, 14 11/16" OAL | 11 | C-634KT-802 | Stopper Kit, Includes Stopper and Pin |
| | P-231-0616 | Stem for 16" C-634 Hydrant, 16 11/16" OAL | 12 | 324-0004 | Pin Only |
| | P-231-0618 | Stem for 18" C-634 Hydrant, 18 11/16" OAL | 13 | C-634KT-806 | Vacuum Breaker Assembly |
| | P-231-0620 | Stem for 20" C-634 Hydrant, 20 11/16" OAL | 14 | C-634KT-808 | Worm Sleeve with O-Ring, Pin and Tool |
| | P-231-0622 | Stem for 22" C-634 Hydrant, 22 11/16" OAL | 15 | C-634KT-809 | Worm Drive Assembly with O-Ring |
| | P-231-0624 | Stem for 24" C-634 Hydrant, 24 11/16" OAL | 16 | C-634WCR | Wall Clamping Ring |
| 2 | 300-6003 | Valve Stem Cap (NP Brass) | 17 | 399-0001 | Secondary Check for ASSE 1052 |
| 3 | 300-6004 | 3/4" Hose Piece (NP Brass) | | C-634KT-807 | C-634 Overhaul Kit, Contains: 10, 11, 12, 13, 14 |

**For the old style C-634 Series wall hydrant stems, see C-634 Series retired style spec sheet at www.PRIER.com.

Rough-In Dimensions Specs



- Inlet Styles**
- N Style**
3/4" (19 mm) FPT
x 1" (25 mm) NPT
 - P Style**
3/4" (19 mm) Female SWT
x 1" (25 mm) Male SWT
 - V Style**
3/4" (19 mm) ProPress Ready
- *Standard Hydrant Lengths**
- | | |
|-----|--------|
| 4" | 102 mm |
| 6" | 152 mm |
| 8" | 203 mm |
| 10" | 254 mm |
| 12" | 305 mm |
| 14" | 356 mm |
| 16" | 406 mm |
| 18" | 457 mm |
| 20" | 508 mm |
| 22" | 559 mm |
| 24" | 607 mm |

Furnish and install Model C-634 Heavy Commercial Wall Hydrant manufactured by PRIER Products, Inc. Hydrant shall be surface mount and installed through 1 3/8" round opening. Hydrant shall have automatic draining capabilities with integral vacuum breaker/backflow preventor. Hydrant shall flow 19 gallons per minute minimum at 25 PSI Differential and be at full flow in 2 handle rotations. Hydrant shaft shall be brass with threaded and sealed connections. Hydrant shall have 3/4" or 1" (choose one) hose connection with freezeless water flow and self-draining functions, one piece valve plunger, satin nickel finish, brass operating rod with positive triple seal shutoff mechanism. Hydrant shall be approved under ASSE 1052 standard. Operating key & wall clamping ring to be furnished with each hydrant. Hydrant insertion length to be 1/2 inches.

Optional: Furnish and install flush-mount hydrant box for each valve. Hydrant box shall be manufactured of solid cast brass with a brass or satin nickel plated brass (choose one) finish. Box may be installed separately and hydrant be insertable and removable from front of the box. Access to the hydrant box shall be provided by the same operating key as the valve. *4" to 24" in 2" increments.

Application

C-734/754 Heavy Commercial Mixing Hydrant



- Commercial/Industrial
- Freezeless
- Hot & Cold Mixing
- ASSE/IAPMO Listed



PRIER C-734 Heavy Commercial Hot & Cold Mixing Hydrant provides a year round source of tempered water to areas of structures that are subject to freezing temperatures. The hydrant valve is connected to the supply piping in the heated portion of the structure, eliminating the possibility of freezing. The Hydrant is available with a self-draining vacuum breaker and backflow check valve (PRIER Model C-754) to protect against any cross contamination possibilities. Common applications include garbage can wash stations at restaurants and service station bay washers.

A removable operating key is provided to prevent unauthorized usage of the hydrant. No special installation tools are required.

Features

- Heavy pattern standard hydrant for use with or without polished brass or nickel bronze box
- Natural brass finish
- Heavy duty brass piping, stronger than ordinary copper tubing, with threaded and sealed joints
- Simple, solderless design for years of reliable operation
- Solid non-ferrous operating rod for long wear life
- Vacuum breaker and backflow preventor approved under ASSE 1011 and CSA B64.2
- Design enables stable and easy clamping to inner wall, providing secure hold on non-brick surfaces

Ordering

Wall Hydrant Only C-734N10

- Hose Thread Outlet**
3- 3/4" Garden Hose
5- Self-Draining
Vacuum Breaker

- Inlet**
N- 1" MPT x 3/4" FPT

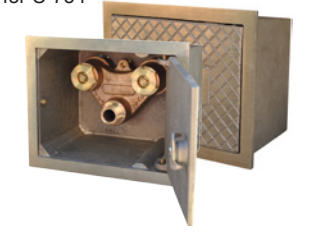
- Length**
- 04- 4" Insertion
 - 06- 6" Insertion
 - 08- 8" Insertion
 - 10- 10" Insertion
 - 12- 12" Insertion
 - 14- 14" Insertion
 - 16- 16" Insertion
 - 18- 18" Insertion
 - 20- 20" Insertion
 - 22- 22" Insertion
 - 24- 24" Insertion
 - XX- Special Size



Optional Hydrant Box C-734BX1

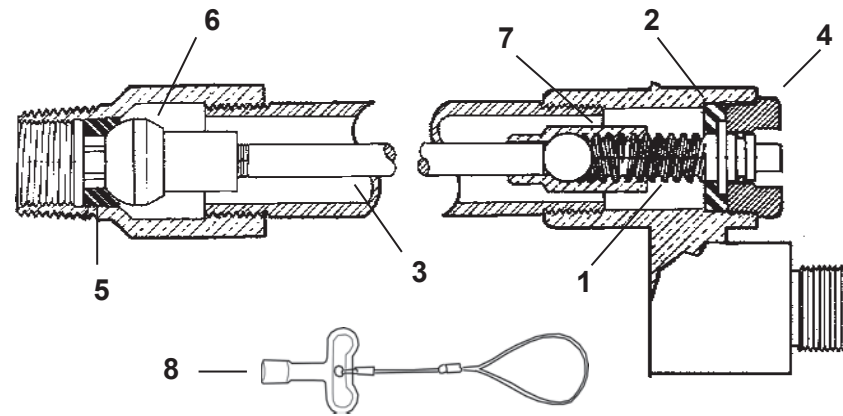
- Box Finish**
3- Standard Depth
5- Deep Box
for C-754

- Box Finish**
1- Satin Nickel Plated
2- Rough Brass

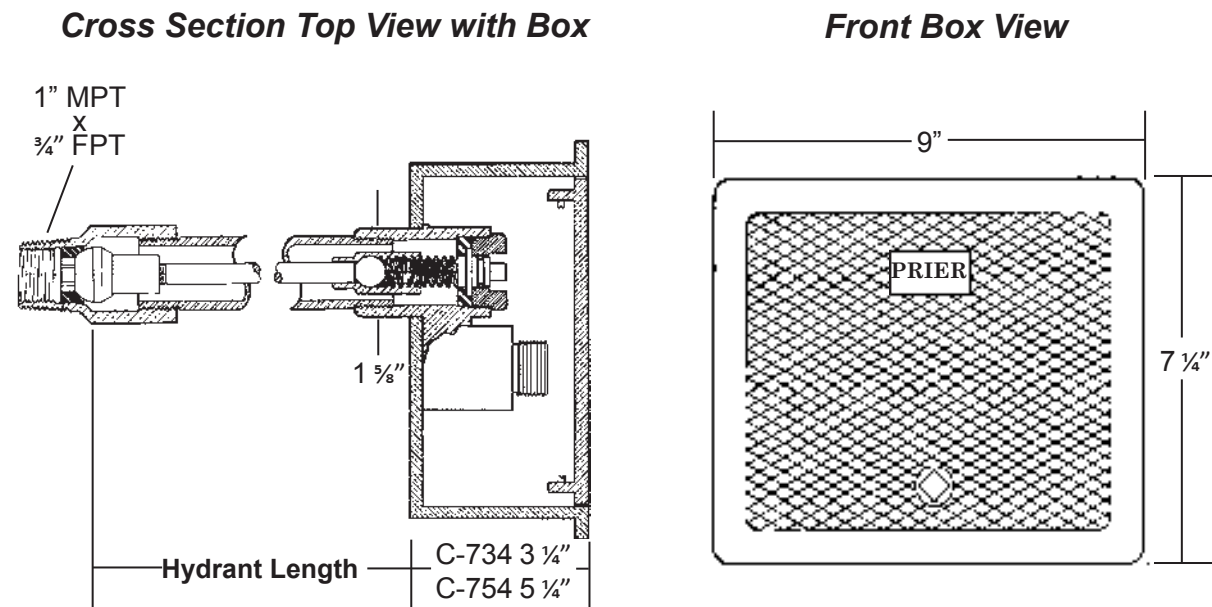




4515 East 139th Street
Grandview, MO 64030
(800) 362-9055
Fax (800) 362-1463
www.PRIER.com



| ID | Part No. | Description |
|----|-------------|------------------------------------------|
| 1 | 392-4005 | Drive Screw Assembly (Brass) |
| 2 | 391-4008 | Retainer Seal (Nylon) |
| 3 | Call PRIER | Operating Rod (Brass) |
| 4 | 310-4009 | Face Nut (Brass) |
| 5 | 391-2018 | Seat (Nylon) |
| 6 | 392-2020 | Plunger (Butyl with Brass Insert) |
| 7 | 310-4003 | Worm Sleeve (Brass) |
| 8 | C-108KT-808 | Loose Key on Lanyard (Die Cast Aluminum) |



Furnish and install Freezeless Model C-734 (or C-754 with Anti-Siphon Vacuum Breaker and Backflow Check Valve) Commercial Hot & Cold Mixing Hydrant by PRIER. Hydrant shaft shall be brass with threaded and sealed connections. Hydrant shall have 3/4" hose connection with freezeless water flow and self-draining functions with brass operating rod. Hydrant shall be approved under ASSE standards. Two operating keys to be furnished with each hydrant. Hydrant insertion length to be ± inches.

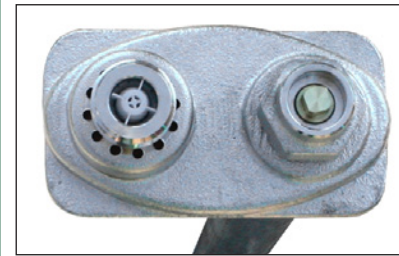
Optional: Furnish and install water box for each hydrant. Hydrant box shall be manufactured of solid cast brass with a polished brass or polished nickel bronze finish. Access to the water box shall be provided by the same operating key as the freezeless hydrant. *4" to 24" in 2" increments.



4515 East 139th Street
Grandview, MO 64030
(800) 362-9055
Fax (800) 362-1463
www.PRIER.com

P-RH1 Flush Mount Roof Hydrant

With Integral P-004 Vacuum Breaker and Dual Backflow Preventor



close-up view

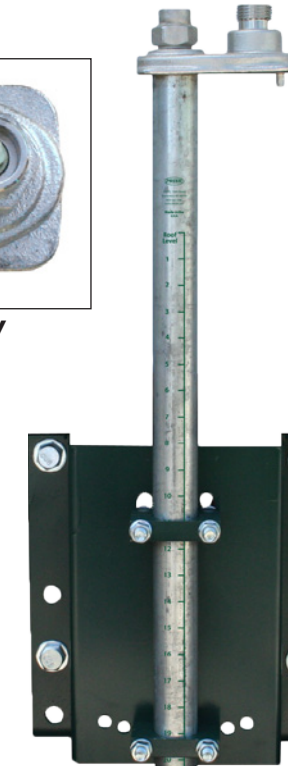
- Commercial/Industrial
- Freezeless
- Anti-Siphon
- Self Draining



PRIER's P-RH1 Flush Mount Roof Hydrant provides a year round source of water to roof surfaces in areas with freezing temperatures. The hydrant is installed flush to the roof, allowing the hose to run in 360°. The hydrant valve is connected to the supply piping in the heated portion of the structure, and is self-draining, eliminating the possibility of freezing. A removable operating key is provided for operation.

The PRIER Roof Mounting Bracket enables the hydrant to be mounted to any structural member with rigid support, instead of to the skin of the building like competitive products.

This bracket requires only a single penetration point of 1 3/4", and can be mounted to concrete, wood, steel, I-beams, truss, perlin or other structural members with standard construction materials (Unistrut, all-thread, etc.).



- Mounts to any roof structural member (truss, I-beam, concrete roof, etc.)
- Single hole penetration of 1 3/4"
- Single person installation with standard tools
- ASSE 1052 approved vacuum breaker
- Freezeless anti-siphon hydrant is flush to the roof allowing hose to run in 360°
- "Triple Seal" positive shut off system for drip-free shut off
- Heavy duty brass construction
- Self draining with 1/8" NPT drainage port
- Repair can be easily accomplished at roof level
- Designed to be installed with standard construction materials (Unistrut, all-thread, etc.)
- 3/4" garden hose threads standard; 1" threads optional
- Includes operating key
- Tremendous flow of 19 gallons per minute at 25 PSI
- Adjustable bracket to accommodate roof angles up to 4/12

P-RH1

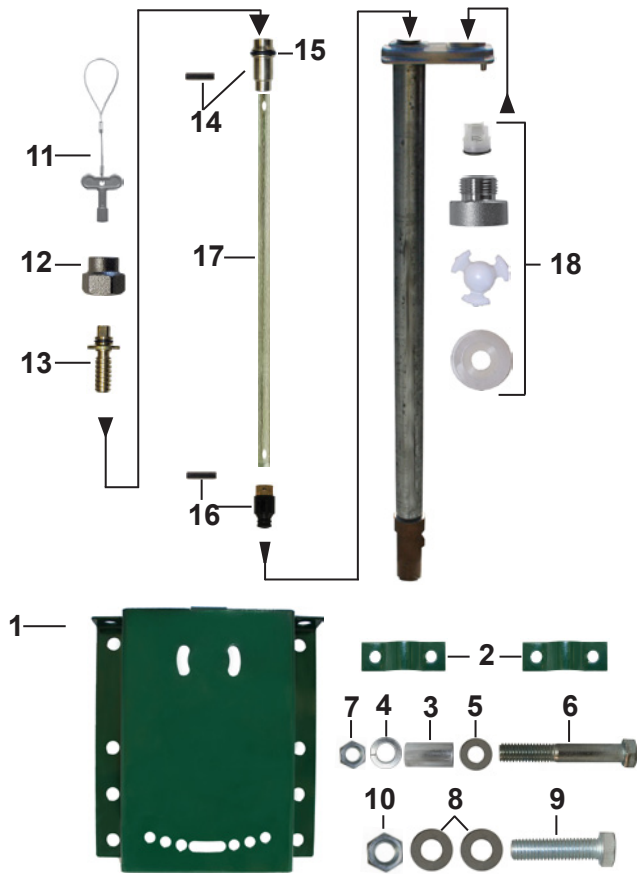
- Length
- H1- Flush Mount Roof Hydrant
 - H2- Post Mount Roof Hydrant
 - H3- Mild Climate Roof Hydrant
 - MB- Roof Hydrant Mounting Bracket





4515 East 139th Street
Grandview, MO 64030
(800) 362-9055
Fax (800) 362-1463
www.PRIER.com

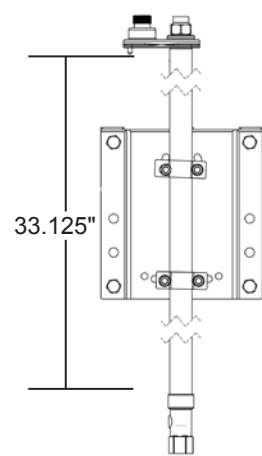
Replacement Parts



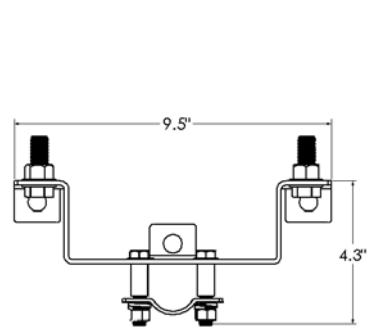
| ID | Part No. | Description |
|----|-------------|-----------------------------------------------------------|
| 1 | 314-0021 | Mounting Bracket |
| 2 | 314-0022 | Pipe Bracket |
| 3 | 314-0023 | Stand Off |
| 4 | 314-0025 | 3/8" Lock Washer |
| 5 | 324-1006 | 3/8" Flat Washer |
| 6 | 314-0024 | 3/8" Shoulder Bolt |
| 7 | 314-0027 | 3/8" Nut |
| 8 | 314-0029 | 1/2" Flat Washer |
| 9 | 314-0028 | 1/2" Bolt |
| 10 | 314-0030 | 1/2" Hex Nut |
| 11 | C-108KT-808 | Loose Key on Lanyard |
| 12 | 300-6003 | Valve Stem Cap |
| 13 | C-634KT-809 | Worm Drive Assembly |
| 14 | C-634KT-808 | Worm Sleeve Assembly |
| 15 | 336-0001 | O-Ring for Worm Sleeve |
| | P-260KT-802 | Stopper Assembly, Contains: 15, 16 |
| 17 | Call PRIER | Stem Shaft |
| 18 | C-634KT-806 | Vacuum Breaker Assembly |
| | 231-0803 | 3' Stem Assembly, 37 1/8" OAL Contains: 14, 15, 16, 17 |

Rough-In Dimensions Specs

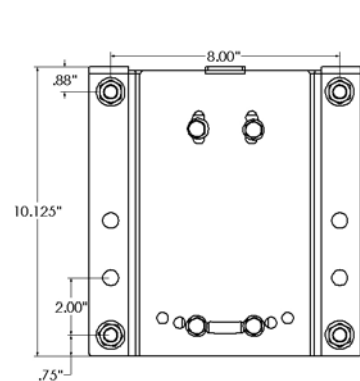
Side Hydrant View



Bottom Bracket View



Front Bracket View



Furnish and install Model P-RH1 commercial key operated roof hydrant manufactured by PRIER Products, Inc. Hydrant shall be installed through a 1 3/4" single penetration in the roof and mounted to the interior structure with the Universal Roof Hydrant Mounting Bracket (P-RMB) provided. This bracket must be manufactured of heavy gauge powder coated steel and must allow for adjustment to meet roof angles up to 4/12. The mounting bracket shall be mounted to concrete, a roofing truss, steel I-beam or interior wall with standard construction materials (all-thread, Unistrut or other). The hydrant shall be flush mounted and have automatic draining capabilities with integral vacuum breaker/backflow preventer. Hydrant shall be brass with freezeless water flow and self draining functions, one piece valve plunger, satin nickel finish and a triple-seal shut off mechanism. Hydrant shall be capable of flowing a minimum of 15 gallons per minute at 25 PSI pressure change. The hydrant shall have a 3/4" inlet and a 1/8" NPT drainage port to be connected to the drain waste line inside the structure. Hydrant shall be approved under the ASSE 1052 standard. The roof penetration is to be sealed by the roofing contractor in accordance with the roofing codes and conditions in their municipality.

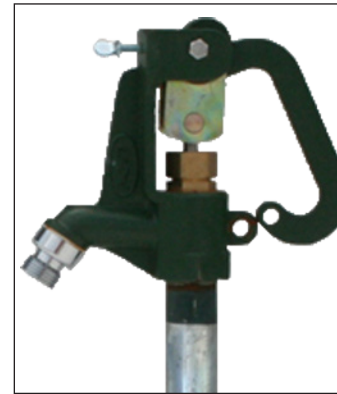


4515 East 139th Street
Grandview, MO 64030
(800) 362-9055
Fax (800) 362-1463
www.PRIER.com

Application

P-RH2 Post Mount Roof Hydrant

With Integral P-004 Vacuum Breaker and Dual Backflow Preventor



close-up view



- Commercial/Industrial
- Freezeless
- Anti-Siphon
- Self Draining



PRIER's P-RH2 Post Mount Roof Hydrant provides a year round source of water to roof surfaces in areas with freezing temperatures. The hydrant stands 30" above the roof for easy hose access. The hydrant valve is connected to the supply piping in the heated portion of the structure, and is self-draining, eliminating the possibility of freezing. This valve has a built in vacuum breaker that allows the hydrant to drain even if the hose is left on.

The Roof Mounting Bracket enables the hydrant to be mounted to any structural member with rigid support, instead of to the skin of the building like competitive products.

This bracket requires only a single penetration point of 1 3/4", and can be mounted to concrete, wood, steel, I-beams, truss, perlin or other structural member with standard construction materials (Unistrut, all-thread, etc.).

Features

- Triple seal EPDM stopper for long wear life
- Bracket mounts to any roof structural member (truss, I-beam, concrete roof, etc.)
- Single hole penetration of 1 3/4"
- Single person installation with standard tools
- Hydrant has 3/4" inlet and multi-pass seat for high flow rates
- Freezeless anti-siphon hydrant stands 30" above the roof for easy hose access
- Heavy duty cast iron head and lockable lever handle
- Bucket hook on spout
- Designed to be installed with standard construction materials (Unistrut, all-thread, etc.)
- Self draining with 1/8" NPT drainage port
- Repair can be easily accomplished at roof level
- Flow rate adjustment
- ASSE 1052 approved vacuum breaker and backflow preventer
- Adjustable bracket to accommodate roof angles up to 4/12

Ordering

P-RH2

- Length
- H1- Flush Mount Roof Hydrant
 - H2- Post Mount Roof Hydrant
 - H3- Mild Climate Roof Hydrant
 - MB- Roof Hydrant Mounting Bracket



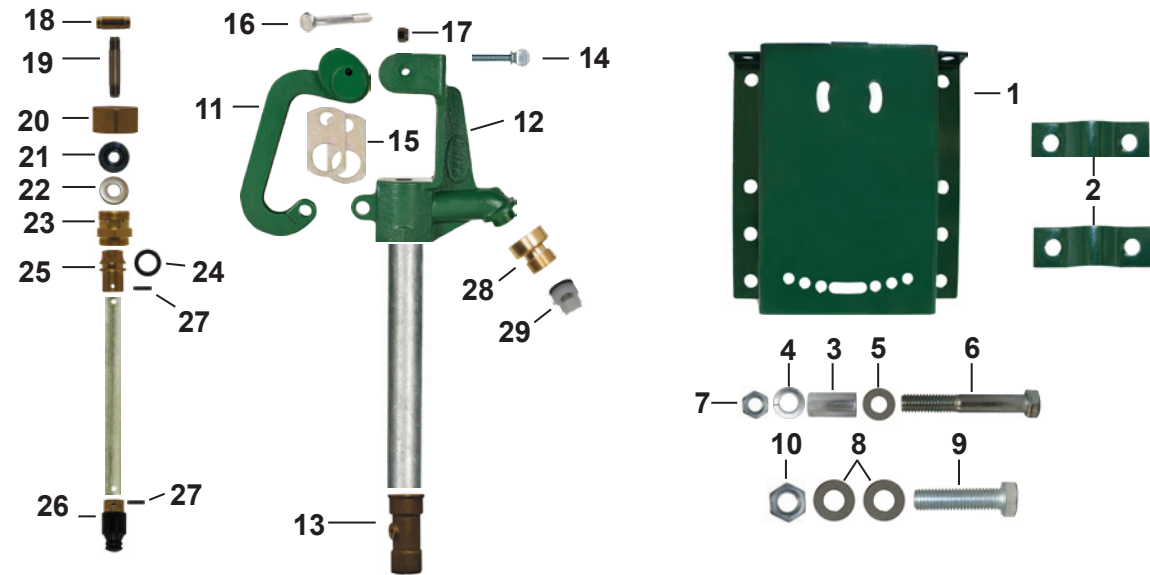


4515 East 139th Street
Grandview, MO 64030
(800) 362-9055
Fax (800) 362-1463
www.PRIER.com



4515 East 139th Street
Grandview, MO 64030
(800) 362-9055
Fax (800) 362-1463
www.PRIER.com

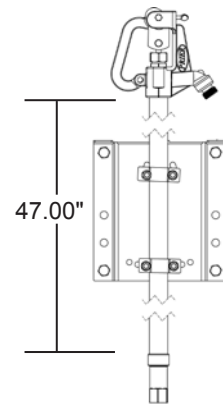
Replacement Parts



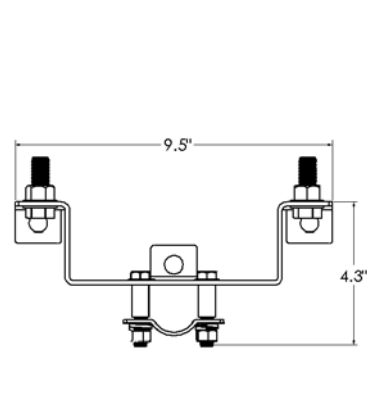
| ID | Part No. | Description | ID | Part No. | Description |
|----|----------|------------------------------------------------------|----|-------------|---------------------------------------------------|
| 1 | 314-0021 | Mounting Bracket | 16 | 314-0008 | Handle Bolt (Stainless Steel) |
| 2 | 314-0022 | Pipe Bracket | 17 | 314-0009 | Nylon Hex Nut (Stainless Steel) |
| 3 | 314-0023 | Stand Off | 18 | 314-7001 | Adjustable Connector Nut (Zinc) |
| 4 | 314-0025 | 3/8" Lock Washer | 19 | 314-7002 | Upper Rod (Stainless Steel) |
| 5 | 324-1006 | 3/8" Flat Washer | 20 | 310-7005 | Valve Stem Cap (Brass) |
| 6 | 314-0024 | 3/8" Shoulder Bolt | 21 | 336-0008 | Packing (EPDM) |
| 7 | 314-0027 | 3/8" Nut | 22 | 324-1003 | Washer (Stainless Steel) |
| 8 | 314-0029 | 1/2" Flat Washer | 23 | 310-7003 | Seal Adapter (Brass) |
| 9 | 314-0028 | 1/2" Bolt | 24 | 336-0001 | O-Ring (EPDM) |
| 10 | 314-0030 | 1/2" Hex Nut | 25 | 310-7001 | Seal Sleeve (Brass) |
| 11 | 301-7003 | Handle (Cast Iron) | 26 | 399-7001 | Stopper (EPDM over Brass) |
| 12 | 301-7001 | Hydrant Head (Cast Iron) | 27 | 324-0004 | Spring Pin, Quantity 2 Required (Stainless Steel) |
| 13 | 300-7001 | Seat (Cast Brass) | 28 | 310-7006 | Hose Piece, 3/4" Hose Thread (Brass) |
| 14 | 315-0001 | Thumb Screw (Zinc Plated Steel) | 29 | 399-0001 | Check Valve (Plastic, Rubber, Stainless Steel) |
| 15 | 304-7001 | Draw Straps, Quantity 2 Required (Zinc Plated Steel) | | P-260KT-802 | Stopper Repair Kit, Contains: 24, 26, 27 |

Rough-In Dimensions Specs

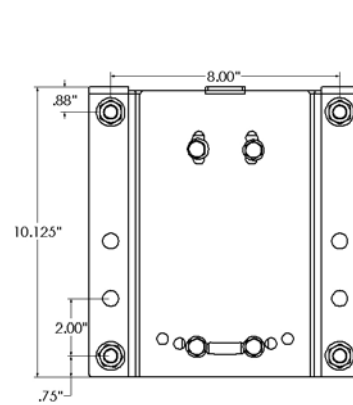
Side Hydrant View



Bottom Bracket View



Front Bracket View



Furnish and install Model P-RH2 commercial Post Mount Roof Hydrant manufactured by PRIER Products, Inc. Hydrant shall be installed through a 1 3/4" single penetration in the roof and mounted to the interior structure with the Universal Roof Hydrant Mounting Bracket (P-RMB) provided. This bracket must be manufactured of heavy gauge powder coated steel and must allow for adjustment to meet roof angles up to 4/12. The mounting bracket shall be mounted to concrete, a roofing truss, steel I-beam or interior wall with standard construction materials (all-thread, Unistrut or other). The hydrant shall have automatic draining capabilities with integral vacuum breaker/backflow preventer. Hydrant shall be cast iron with freezeless water flow and self draining functions, one piece valve plunger and a triple-seal shut off mechanism. The hydrant shall have a 3/4" inlet and a 1/8" NPT drainage port to be connected to the drain waste line inside the structure. Hydrant shall be approved under the ASSE 1052 standard. The roof penetration is to be sealed by the roofing contractor in accordance with the roofing codes and conditions in their municipality.

Application

P-RH3 Mild Climate Roof Hydrant

With Integral P-004 Vacuum Breaker and Dual Backflow Preventor



close-up view



- Commercial/Industrial
- Anti-Siphon
- Wheel Handle Operated



PRIER's P-RH3 Mild Climate Roof Hydrant provides a year round source of water to roof surfaces in mild climate areas. The hydrant consists of a commercial sill faucet mounted onto a post for easy access. The hydrant valve is connected to the supply piping in the heated portion of the structure. This valve has a built in vacuum breaker that meets ASSE 1052.

The Roof Mounting Bracket enables the hydrant to be mounted to any structural member with rigid support, instead of to the skin of the building like competitive products.

This bracket requires only a single penetration point of 1 3/4", and can be mounted to concrete, wood, steel, I-beams, truss, perlin or other structures with standard construction materials (Unistrut, all-thread, etc.).

Features

- Mounts to any roof structural member (truss, I-beam, concrete roof, etc.)
- Single hole penetration of 1 3/4"
- Single person installation with standard tools
- ASSE 1052 approved vacuum breaker and backflow preventer
- Commercial sill faucet on post for easy access
- Valve has integral vacuum breaker and back flow preventer
- Convertible to vandal proof loose key
- Designed to be installed with standard construction materials (Unistrut, all-thread, etc.)
- Repair can be easily accomplished at roof level
- 3/4" garden hose threads standard
- Heavy duty brass construction with a satin nickel finish
- Heavy duty galvanized pipe provides stability and is easily mounted to the roof mounting bracket
- Adjustable bracket to accommodate roof angles up to 4/12

Ordering

P-RH3

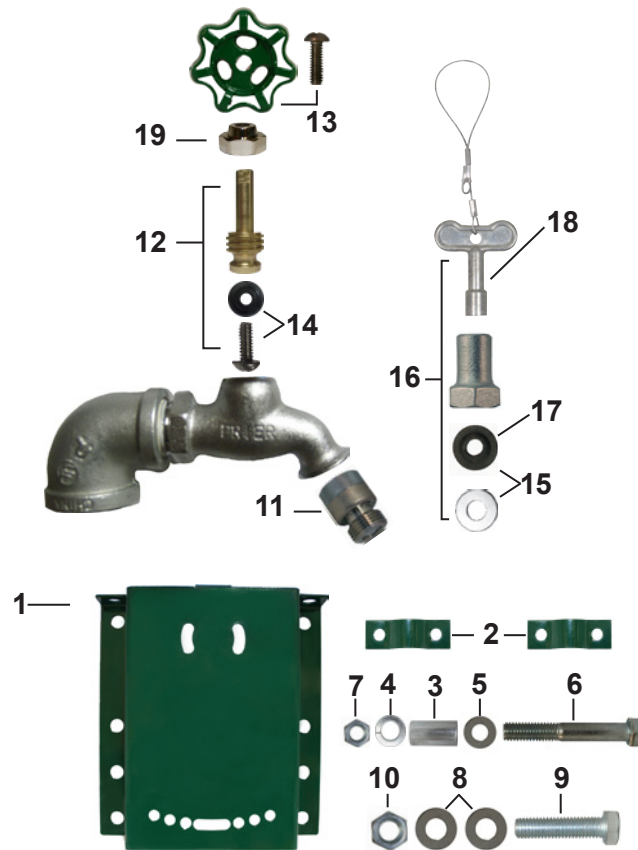
- Length
- H1- Flush Mount Roof Hydrant
 - H2- Post Mount Roof Hydrant
 - H3- Mild Climate Roof Hydrant
 - MB- Roof Hydrant Mounting Bracket





4515 East 139th Street
Grandview, MO 64030
(800) 362-9055
Fax (800) 362-1463
www.PRIER.com

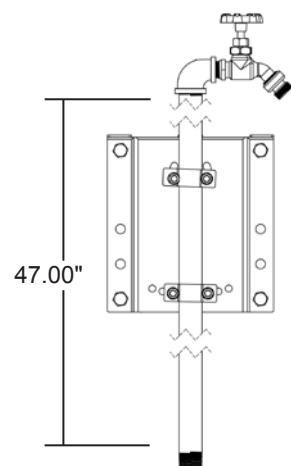
Replacement Parts & Stems



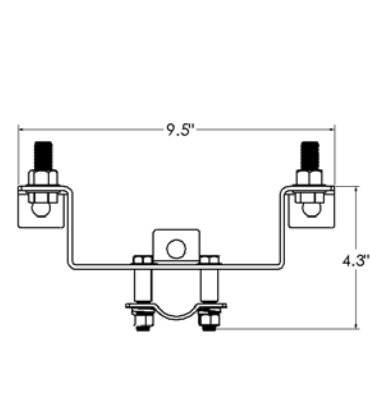
| ID | Part No. | Description |
|----|-------------|---------------------------------|
| 1 | 314-0021 | Mounting Bracket |
| 2 | 314-0022 | Pipe Bracket |
| 3 | 314-0023 | Stand Off |
| 4 | 314-0025 | 3/8" Lock Washer |
| 5 | 324-1006 | 3/8" Flat Washer |
| 6 | 314-0024 | 3/8" Shoulder Bolt |
| 7 | 314-0027 | 3/8" Nut |
| 8 | 314-0029 | 1/2" Flat Washer |
| 9 | 314-0028 | 1/2" Bolt |
| 10 | 314-0030 | 1/2" Hex Nut |
| 11 | P-004CP | Vacuum Breaker Assembly |
| 12 | 231-0001 | Stem Assembly |
| 13 | C-134KT-805 | Oval Handle and Screw Kit |
| 14 | C-135KT-802 | Seat Washer Kit, 1/4" L Beveled |
| 15 | C-134KT-803 | Stem Packing Kit |
| 16 | C-134KT-804 | Loose Key Conversion Kit |
| 17 | 390-1001 | Stem Packing Only |
| 18 | C-108KT-808 | Loose Key on Lanyard |
| 19 | 310-1012 | Valve Stem Cap |

Rough-In Dimensions

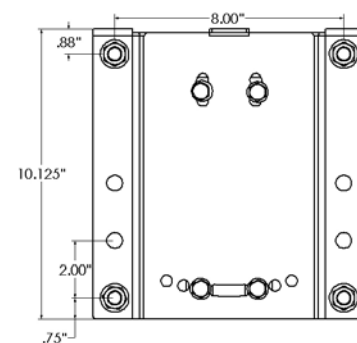
Side Hydrant View



Bottom Bracket View



Front Bracket View



Specs

Furnish and install Model P-RH3 Commercial Post Mount Roof Hydrant manufactured by PRIER Products, Inc. Hydrant shall be installed through a 1 3/4" single penetration in the roof and mounted to the interior structure with the Universal Roof Hydrant Mounting Bracket (P-RMB) provided. This bracket must be manufactured of heavy gauge powder coated steel and must allow for adjustment to meet roof angles up to 4/12. The mounting bracket shall be mounted to concrete, a roofing truss, steel I-beam or interior wall with standard construction materials (all-thread, Unistrut or other). The hydrant shall have an integral vacuum breaker/backflow preventer and be approved under the ASSE 1052 standard. The hydrant shall have a 3/4" inlet and be made of brass with a satin nickel chromium finish. The roof penetration is to be sealed by the roofing contractor in accordance with the roofing codes and conditions in their municipality.



4515 East 139th Street
Grandview, MO 64030
(800) 362-9055
Fax (800) 362-1463
www.PRIER.com

Application

P-RMB Universal Mounting Bracket



- Mounts to any Roof Structure
- Single Hole Penetration
- Works with any 3/4" Post Hydrant
- Powder Coated Steel Design



PRIER's P-RMB Universal Roof Hydrant Mounting Bracket provides a means to attach any 3/4" post hydrant to a roof structure, thus providing a simple water source on the roof of a building. PRIER's Mounting Bracket is compatible with PRIER's P-RH1, P-RH2 and P-RH3 Commercial Roof Hydrants.

The Roof Mounting Bracket enables the hydrant to be mounted to any structural member with rigid support, instead of to the skin of the building like competitive products.

This bracket requires only a single penetration point of 1 3/4", and can be mounted to concrete, wood, steel, I-beams, truss, perlin or other structural members with standard construction materials (unistrut, all-thread, or other).

Features

- Mounts to any roof structural member (truss, I-beam, concrete roof, etc.)
- Compatible with PRIER's P-RH1, P-RH2 and P-RH3 roof hydrants
- Single hole penetration of 1 3/4"
- Single person installation with standard tools
- Seals with standard roofing materials
- Works with any 3/4" post hydrant
- Designed to be installed with standard construction materials (Unistrut, all-thread, etc.)
- Powder coated steel design
- Adjustable to accommodate roof angles up to 4/12
- Bracket and hydrant can be installed independently

Ordering

P-RMB

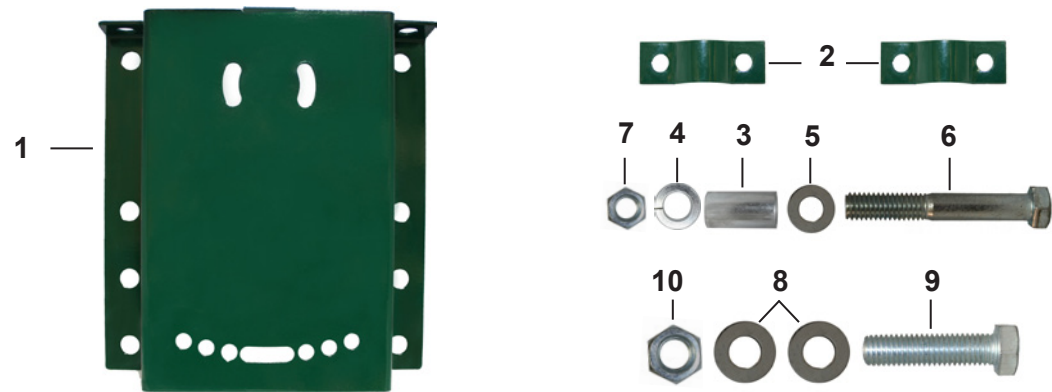
- Length
- H1- Flush Mount Roof Hydrant
 - H2- Post Mount Roof Hydrant
 - H3- Mild Climate Roof Hydrant
 - MB- Roof Hydrant Mounting Bracket





4515 East 139th Street
Grandview, MO 64030
(800) 362-9055
Fax (800) 362-1463
www.PRIER.com

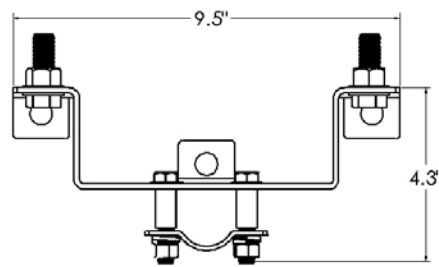
Replacement Parts & Stems



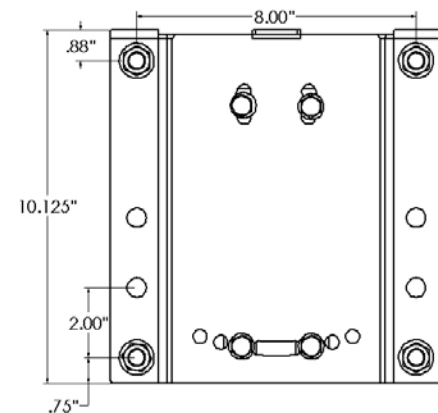
| ID | Part No. | Description |
|----|----------|--------------------|
| 1 | 314-0021 | Mounting Bracket |
| 2 | 314-0022 | Pipe Bracket |
| 3 | 314-0023 | Stand Off |
| 4 | 314-0025 | 3/8" Lock Washer |
| 5 | 324-1006 | 3/8" Flat Washer |
| 6 | 314-0024 | 3/8" Shoulder Bolt |
| 7 | 314-0027 | 3/8" Nut |
| 8 | 314-0029 | 1/2" Flat Washer |
| 9 | 314-0028 | 1/2" Bolt |
| 10 | 314-0030 | 1/2" Hex Nut |

Rough-In Dimensions

Bottom Bracket View



Front Bracket View



Specs

Furnish and install Model P-RMB Universal Roof Hydrant Mounting Bracket manufactured by PRIER Products. Bracket must be manufactured of heavy gauge powder coated steel. This bracket is to be installed inside the structure and must have a single penetration through the roof. This bracket must allow for adjustment to meet roof angles up to 4/12. It also must connect to I-beams, steel, truss, wood or concrete with standard construction materials. The roof penetration is to be sealed by the roofing contractor in accordance with roofing codes and conditions in their municipality.

Page 40 P-650 Heavy Commercial Ground Hydrant
Page 42 P-260 Freezeless Ground Hydrant
Page 44 C-250 Heavy Pattern Freezeless Ground Hydrant
Page 46 C-240 Freezeless Economy Ground Hydrant
Page 48 YH Freezeless Ground Hydrant

GROUND HYDRANTS



4515 East 139th Street
Grandview, MO 64030
(800) 362-9055
Fax (800) 362-1463
www.PRIER.com



4515 East 139th Street
Grandview, MO 64030
(800) 362-9055
Fax (800) 362-1463
www.PRIER.com

Application

P-650 Heavy Commercial Ground Hydrant

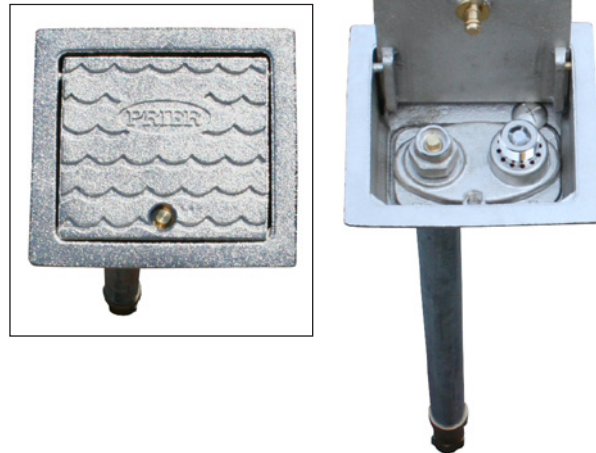
With Integral P-004 Vacuum Breaker and Dual Backflow Preventor

- Commercial/Industrial
- Freezeless
- Anti-Siphon
- Backflow Check Valve
- Self-Draining



PRIER P-650 Heavy Commercial Ground Hydrant provides a year round source of water to areas subject to freezing temperatures. The hydrant is installed flush to surface, eliminating interference with machinery or pedestrian traffic.

The hydrant valve is connected to the supply piping below the freeze line, and is self draining, eliminating the possibility of freezing. An operating key is provided to prevent unauthorized usage of the hydrant.



**shown with optional hydrant box*

Features

- Heavy pattern standard hydrant for use with or without brass or satin nickel box
- ASSE 1052 approved backflow preventor and vacuum breaker
- Heavy duty galvanized piping, with options for all brass construction
- Simple, solderless design with threaded and sealed joints for years of reliable operation
- Repair can be easily accomplished at ground level
- No special installation or service tools are required
- Includes operating key

Ordering

Ground Hydrant Only
P-650N02

Hose Thread Outlet
0- 3/4" Garden Hose
1- 1" Hose

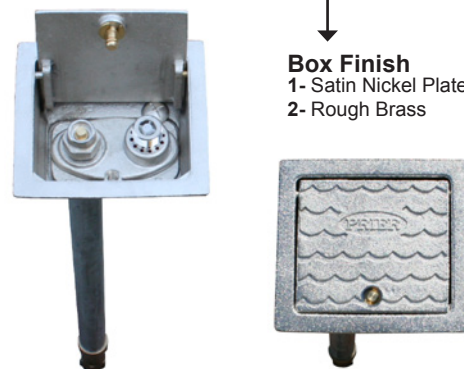
Inlet
N- 3/4" FPT

Length
1- 1' Bury Depth 4- 4' Bury Depth
2- 2' Bury Depth 5- 5' Bury Depth
3- 3' Bury Depth 6- 6' Bury Depth



Optional Hydrant Box
P-650BX1

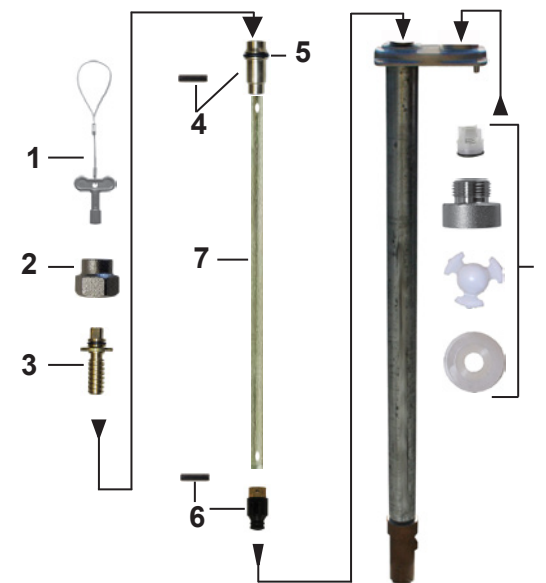
Box Finish
1- Satin Nickel Plated
2- Rough Brass



**Note: Optional box is rated at light duty.*

**Note: For installations with hydrant box, both freezeless hydrant and box need to be ordered.*

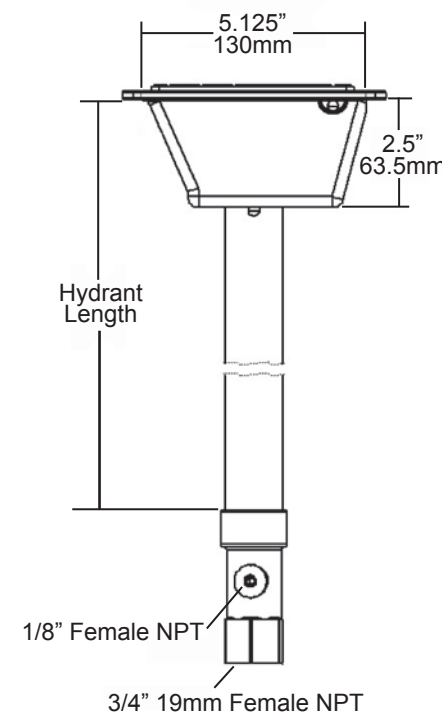
Replacement Parts



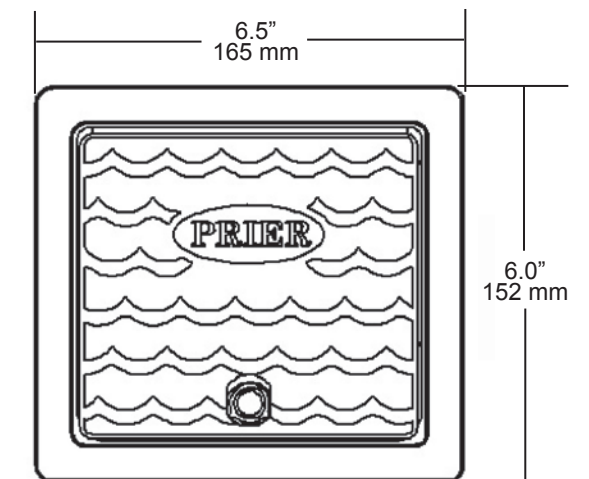
| ID | Part No. | Description |
|-----|-------------|-----------------------------------------|
| 1 | C-108KT-808 | Loose Key on Lanyard |
| 2 | 300-6003 | Valve Stem Cap |
| 3 | C-634KT-809 | Worm Drive Assembly |
| 4 | C-634KT-808 | Worm Sleeve Assembly |
| 5 | 336-0001 | O-Ring for Worm Sleeve |
| 6 | P-260KT-802 | Stopper Assembly |
| 7 | Call PRIER | Stem Shaft |
| 8 | C-634KT-806 | Vacuum Breaker Assembly |
| 4-7 | 231-0801 | Stem Assembly for 1' P-650, 13 1/4" OAL |
| 4-7 | 231-0802 | Stem Assembly for 2' P-650, 25 1/4" OAL |
| 4-7 | 231-0803 | Stem Assembly for 3' P-650, 37 1/4" OAL |
| 4-7 | 231-0804 | Stem Assembly for 4' P-650, 49 1/4" OAL |
| 4-7 | 231-0805 | Stem Assembly for 5' P-650, 61 1/4" OAL |
| 4-7 | 231-0806 | Stem Assembly for 6' P-650, 73 1/4" OAL |
| 4-7 | 231-0807 | Stem Assembly for 7' P-650, 85 1/4" OAL |

Rough-In Dimensions

Side Hydrant View with Box



Top Box View



Specs

Furnish and install PRIER's P-650 Heavy Commercial key operated ground hydrant manufactured by PRIER Products, Inc. Hydrant shall be approved to ASSE 1052 and UPC standards and shall be installed with a water box. Hydrant box shall be manufactured of solid cast brass with a rough brass or satin nickel (choose one) finish. Access to the water box shall be provided by the same operating key as the hydrant. The hydrant must be installed flush to surface to allow machinery and pedestrian traffic without damage to hydrant. Hydrant shaft shall be heavy duty piping with threaded and sealed connections. Hydrant shall have 3/4" or 1" (choose one) hose connection with freezeless water flow and self-draining functions with solid operating rod. Hydrant insertion depth to be * feet. *1' to 7' in 1' increments.



4515 East 139th Street
Grandview, MO 64030
(800) 362-9055
Fax (800) 362-1463
www.PRIER.com



4515 East 139th Street
Grandview, MO 64030
(800) 362-9055
Fax (800) 362-1463
www.PRIER.com

Application

P-260 Freezeless Ground Hydrant



close-up view



- **Freezeless**
- **Anti-Siphon**
- **Self-Draining**
- **Variable Flow**
- **Lockable**
- **Triple Seal Stopper**

PRIER's P-260 Freezeless Ground Hydrant provides a year round source of water to areas subject to freezing temperatures. The P-260 comes with a built in backflow preventer and flow control lock.

Additionally, the P-260 is well known for its ease of use and maintenance. The brass stem cap design allows the stem to be removed and a stopper replaced without removing the cast iron head from the hydrant, significantly simplifying the maintenance of this type of product.

Features

- Maintained at ground level without removing heavy duty cast iron head and lever handle
- Flow control lock for water flow adjustment
- Available in 8 standard lengths, longer lengths available by request
- 3/4" FPT inlet connection
- Built in backflow preventer, self-lubricating EPDM seals, and optional ASSE 1052 vacuum breaker
- Stainless steel upper rod for long wear life
- Multi-pass seat for high flow rates
- Heavy duty galvanized steel pipe body and operating stem
- Optional brass pipe and operating rod for harsh water environments
- Solid brass garden hose adapter and triple seal stopper for long wear life
- Bucket hook on spout
- Made in the USA

Ordering

P-260-3

Bury Depth

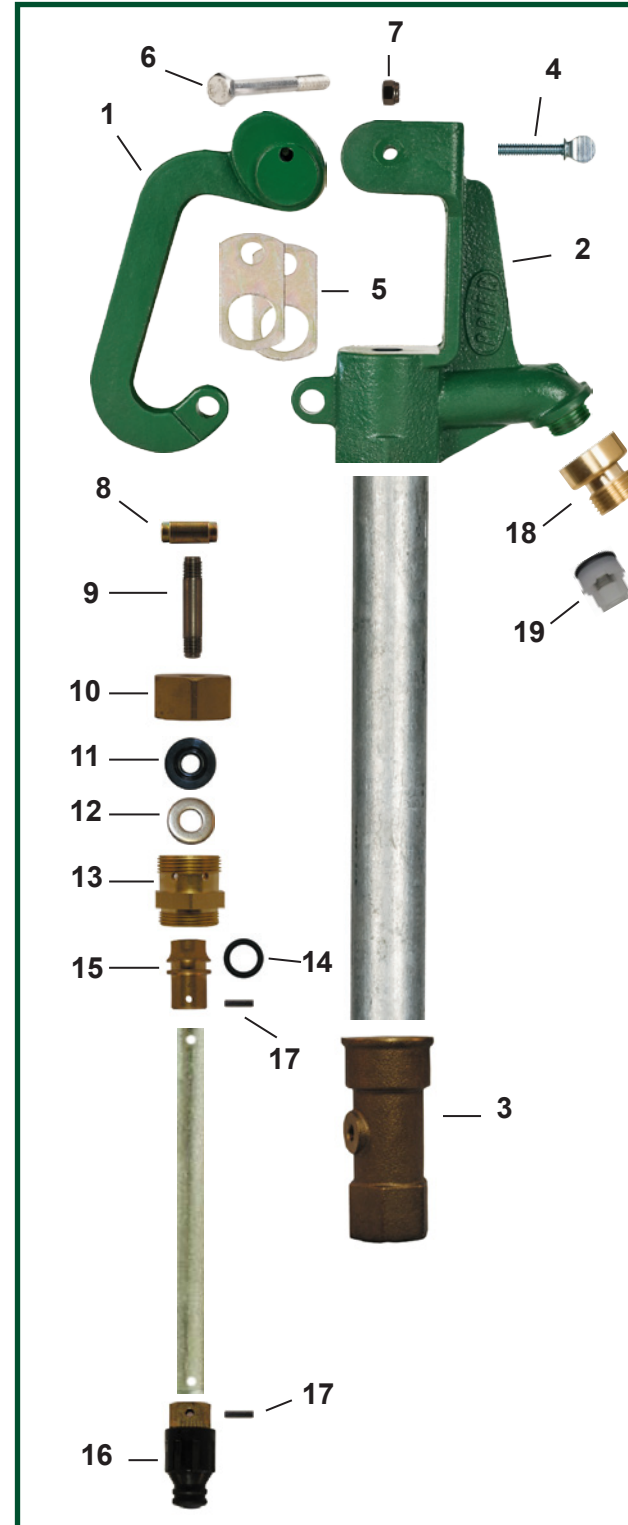
- | | |
|------------------|------------------|
| 1- 1' Bury Depth | 5- 5' Bury Depth |
| 2- 2' Bury Depth | 6- 6' Bury Depth |
| 3- 3' Bury Depth | 7- 7' Bury Depth |
| 4- 4' Bury Depth | 8- 8' Bury Depth |



| Part No. | Size | Overall Length | Weight Ea. |
|----------|---------|----------------|------------|
| P-260-1 | 1' Bury | 44" | 13 lbs |
| P-260-2 | 2' Bury | 56" | 15 lbs |
| P-260-3 | 3' Bury | 68" | 17 lbs |
| P-260-4 | 4' Bury | 80" | 19 lbs |
| P-260-5 | 5' Bury | 92" | 21 lbs |
| P-260-6 | 6' Bury | 104" | 23 lbs |

P-260-G

Replacement Parts



| ID | Part No | Description |
|----|-------------|---------------------------------------------------------------------|
| 1 | 301-7003 | Handle (Cast Iron) |
| 2 | 301-7001 | Hydrant Head (Cast Iron) |
| 3 | 300-7001 | Seat (Cast Brass) |
| 4 | 315-0001 | Thumb Screw (Zinc Plated Steel) |
| 5 | 304-7001 | Draw Straps, Quantity 2 Required (Zinc Plated Steel) |
| 6 | 314-0011 | Handle Bolt (Stainless Steel) |
| 7 | 314-0009 | Hex Nut (Stainless Steel with Nylon) |
| 8 | 314-7001 | Adjustable Connector Nut (Zinc) |
| 9 | 314-7002 | Upper Rod (Stainless Steel) |
| 10 | 310-7005 | Valve Stem Cap, Hand Tighten Only (Brass) |
| 11 | 336-0008 | Packing (EPDM) |
| 12 | 324-1003 | Washer (Stainless Steel) |
| 13 | 310-7003 | Seal Adapter (Brass) |
| 14 | 336-0001 | O-Ring (EPDM) |
| 15 | 310-7001 | Seal Sleeve (Brass) |
| 16 | 399-7001 | Stopper (EPDM over Brass) |
| 17 | 324-0004 | Spring Pin (Stainless Steel) |
| 18 | 310-7006 | Hose Piece, 3/4" Hose Thread (Brass) |
| 19 | 399-0001 | Check Valve (Plastic, Rubber and Stainless Steel) |
| | P-260KT-802 | Stopper Repair Kit Contains: 14, 16, 17 |
| | P-260KT-807 | Overhaul Kit, Contains: 5 (2ea), 8, 10, 11, 12, 14, 16, 17 (2ea) |



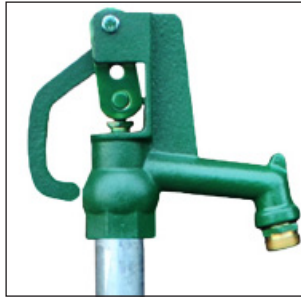
4515 East 139th Street
Grandview, MO 64030
(800) 362-9055
Fax (800) 362-1463
www.PRIER.com



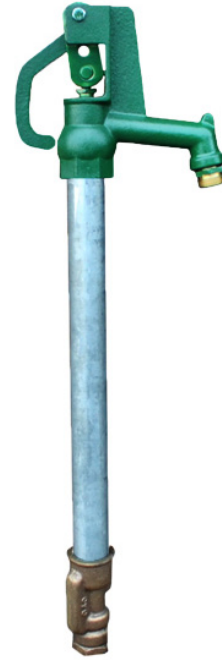
4515 East 139th Street
Grandview, MO 64030
(800) 362-9055
Fax (800) 362-1463
www.PRIER.com

Application

C-250 Freezeless Ground Hydrant



close-up view



- **Freezeless**
- **Lockable**
- **Variable Flow**
- **Time Tested**

PRIER's C-250 Freezeless Ground Hydrant provides a year round source of water to areas subject to freezing temperatures. The hydrant valve is connected to the supply piping below the frost line, and since it drains automatically, it is not subject to freezing.

The PRIER C-250 is a time tested design with a cam type operation lever control that provides full variable flow. It is available from stock in bury depths from 1' to 6', longer sizes are available upon request.

Features

- Solid, extra thick walled head casting, reduced breakage
- 3/4" FPT inlet connection
- Solid brass hose adapter
- Cam type operating lever control provides full variable flow
- High quality steel drawstraps that eliminate side pull of operating rod
- Pivot connector has double nut connection, no set screws to rust in place
- Galvanized outer pipe has no exposed threads, providing simple, in field repair
- Stainless steel operating rod provides the longest operating life
- Simple repair can be done at ground level

Ordering

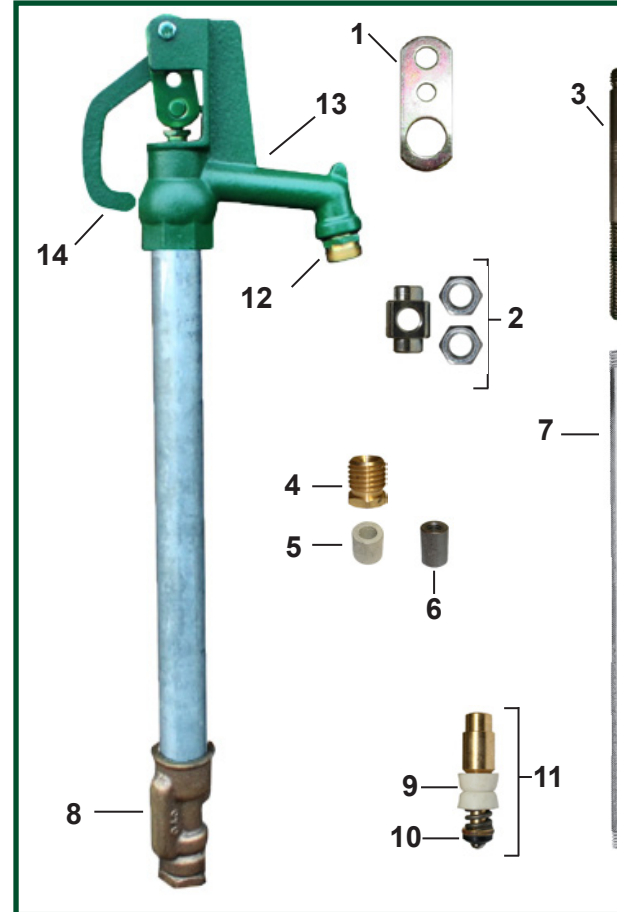
C-250-3

Bury Depth

- 1- 1' Bury Depth 4- 4' Bury Depth
2- 2' Bury Depth 5- 5' Bury Depth
3- 3' Bury Depth 6- 6' Bury Depth

| Part No. | Size | Overall Length | Weight Ea. |
|----------|---------|----------------|------------|
| C-250-1 | 1' Bury | 46" | 13 lbs |
| C-250-2 | 2' Bury | 58" | 15 lbs |
| C-250-3 | 3' Bury | 70" | 17 lbs |
| C-250-4 | 4' Bury | 82" | 19 lbs |
| C-250-5 | 5' Bury | 94" | 21 lbs |
| C-250-6 | 6' Bury | 106" | 23 lbs |

Replacement Parts



| ID | Part No. | Description |
|----|-----------|---------------------------------------|
| 1 | 324-1004 | Draw Straps, Quantity 2 Required |
| 2 | 232-0001 | Pivot Connector and Nuts |
| 3 | 314-0002 | Rod (Stainless Steel) |
| 4 | 310-0010 | Packing Nut |
| 5 | 346-0001 | Valve Stem Packing |
| 6 | 310-0014 | Rod Connector |
| 7 | 314-0003 | 7/16" Extension Rod |
| 8 | 310-0011 | Valve Body for C-250 |
| 9 | 340-0002 | Cup Leathers, Quantity 2 Required |
| 10 | 936-0001 | 3/8" L Beveled Bibb Washer |
| 11 | C-250-021 | Plunger for C-250 |
| 12 | 310-0027 | Hose Thread Adapter for C-240, C-250 |
| 13 | 301-0004 | Head for C-250 (Cast Iron) |
| 14 | 301-0001 | Handle for C-250 (Cast Iron) |
| | C-250-801 | Overhaul Kit, Contains 1, 2, 4, 5, 11 |



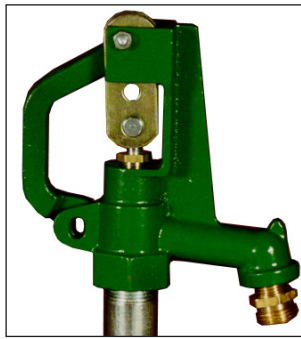
4515 East 139th Street
Grandview, MO 64030
(800) 362-9055
Fax (800) 362-1463
www.PRIER.com



4515 East 139th Street
Grandview, MO 64030
(800) 362-9055
Fax (800) 362-1463
www.PRIER.com

Application

C-240 Freezeless Ground Hydrant



close-up view



- Freezeless
- Lockable
- Variable Flow
- Time Tested

PRIER's C-240 Freezeless Ground Hydrant provides a year round source of water to areas subject to freezing temperatures. The hydrant valve is connected to the supply piping below the frost line, and since it drains automatically, it is not subject to freezing.

The PRIER C-240 is a time tested design, with many of the quality features of PRIER's C-250 premium quality freezeless ground hydrant. It is available from stock in bury depths from 1' to 6', longer sizes are available upon request.

Features

- 3/4" FPT inlet connection
- Solid brass hose adapter
- Cam type operating lever control provides full variable flow
- High quality steel drawstraps that eliminate side pull of operating rod
- Pivot connector has double nut connection, no set screws to rust in place
- Galvanized outer pipe has no exposed threads, providing simple, in field repair
- Stainless steel operating rod provides the longest operating life
- Dual bypass high flow valve body
- One piece plunger design
- Simple repair can be done at ground level

Ordering

C-240-3

→ Bury Depth
1- 1' Bury Depth 4- 4' Bury Depth
2- 2' Bury Depth 5- 5' Bury Depth
3- 3' Bury Depth 6- 6' Bury Depth

| Part No. | Size | Overall Length | Weight Ea. |
|----------|---------|----------------|------------|
| C-240-1 | 1' Bury | 45" | 11 lbs |
| C-240-2 | 2' Bury | 57" | 13 lbs |
| C-240-3 | 3' Bury | 69" | 15 lbs |
| C-240-4 | 4' Bury | 81" | 17 lbs |
| C-240-5 | 5' Bury | 93" | 19 lbs |
| C-240-6 | 6' Bury | 105" | 21 lbs |

Replacement Parts

| ID | Part No. | Description |
|----|-----------|---------------------------------------|
| 1 | 324-1004 | Draw Straps, Quantity 2 Required |
| 2 | 232-0001 | Pivot Connector and Nuts |
| 3 | 314-0002 | Rod (Stainless Steel) |
| 4 | 310-0010 | Packing Nut |
| 5 | 346-0001 | Valve Stem Packing |
| 6 | 310-0014 | Rod Connector |
| 7 | 314-0003 | 7/16" Extension Rod |
| 8 | 300-0027 | Valve Body for C-240 |
| 9 | C-240-021 | Plunger for C-240 |
| 10 | 310-0027 | Hose Thread Adapter for C-240, C-250 |
| 11 | 301-0003 | Head for C-240 (Cast Iron) |
| 12 | 301-0002 | Handle for C-240 (Cast Iron) |
| | C-240-801 | Overhaul Kit, Contains: 1, 2, 4, 5, 9 |



4515 East 139th Street
Grandview, MO 64030
(800) 362-9055
Fax (800) 362-1463
www.PRIER.com



4515 East 139th Street
Grandview, MO 64030
(800) 362-9055
Fax (800) 362-1463
www.PRIER.com

YH Freezeless Ground Hydrant

Mansfield Style "Formerly Red" YH Series



close-up view



- **Freezeless**
- **Lockable**
- **Variable Flow**
- **Lead Free**

PRIER's YH Series Economy Freezeless Ground Hydrant provides a year round source of water to areas subject to freezing temperatures. The hydrant valve is connected to the supply piping below the frost line, and since it drains automatically, it is not subject to freezing.

The YH Series Ground Hydrant contains a multiple bypass high flow valve body and a one piece plunger design. It is available from stock in bury depths from 1' to 6' and it meets the 2014 Safe Drinking Water Act.

- 3/4" FPT inlet connection
- Heavy duty cast iron head and handle
- Solid brass hose adapter
- Galvanized outer pipe has no exposed threads, providing simple, in field repair
- Multiple bypass high flow valve body
- One piece plunger design
- Simple repair can be done at ground level
- YH model meets the 2014 Safe Drinking Water Act

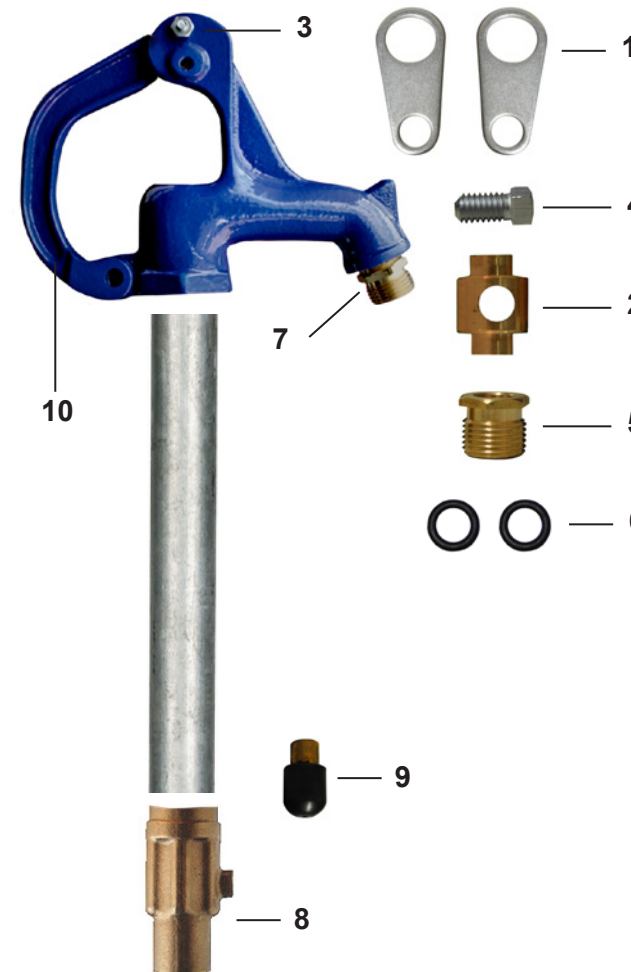
YH-3

Bury Depth

- | | |
|------------------|------------------|
| 1- 1' Bury Depth | 4- 4' Bury Depth |
| 2- 2' Bury Depth | 5- 5' Bury Depth |
| 3- 3' Bury Depth | 6- 6' Bury Depth |

| Part No. | Size | Overall Length | Weight Ea. |
|----------|---------|----------------|------------|
| YH-1 | 1' Bury | 39" | 12 lbs |
| YH-2 | 2' Bury | 51" | 15 lbs |
| YH-3 | 3' Bury | 63" | 17 lbs |
| YH-4 | 4' Bury | 75" | 20 lbs |
| YH-5 | 5' Bury | 87" | 22 lbs |
| YH-6 | 6' Bury | 99" | 24 lbs |

Replacement Parts



| ID | Part No. | Description |
|----|----------|-------------------------------------------|
| 1 | 324-3002 | Draw Straps, Quantity 2 Required |
| 2 | 310-3028 | Pivot Connector |
| 3 | 324-3003 | Fulcrum Bolt and Nut |
| 4 | 324-3004 | Square Head Set Screw |
| 5 | 310-3029 | Packing Nut |
| 6 | 336-3004 | O-Ring Seal |
| 7 | 310-3030 | Hose Thread Adapter |
| 8 | 300-0024 | Valve Body |
| 9 | 399-3004 | Plunger |
| 10 | 301-3001 | Operating Handle |
| | 630-9002 | Repair Kit, Contains: 1, 2, 3, 4, 5, 6, 9 |

Application

Features

Ordering

- Page 51** C-135 Heavy Pattern Angle Sill Faucets
- Page 52** C-138 Heavy Pattern Hose Bibbs
- Page 53** C-155 Anti-Siphon Angle Sill Faucets
- Page 55** C-165 Double Check Anti-Siphon Angle Sill Faucets
- Page 57** C-158 Anti-Siphon Hose Bibbs
- Page 58** C-168 Double Check Anti-Siphon Hose Bibbs
- Page 59** P-002 Vacuum Breakers



4515 East 139th Street
 Grandview, MO 64030
 (800) 362-9055
 Fax (800) 362-1463
 www.PRIER.com

Heavy Pattern Angle Sill Faucets

C-135/C-235, C-137/C-237 Styles



- Heavy Pattern
- Solid Cast Brass
- Handle or Loose Key Option
- Satin Nickel or Polished Chrome Plated

Application

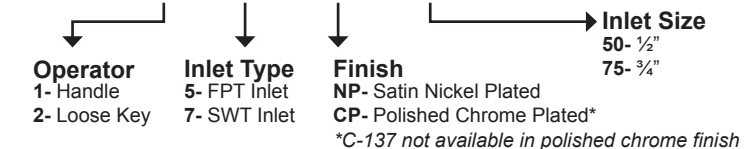
PRIER Heavy Pattern Angle Sill Faucets are designed for areas that require water service, but are not subject to freezing temperatures. Typical installations include basements, garages and for outdoor installations in mild climates. The heavy pattern design with solid brass stem assures years of reliable service with minimal maintenance.

Features

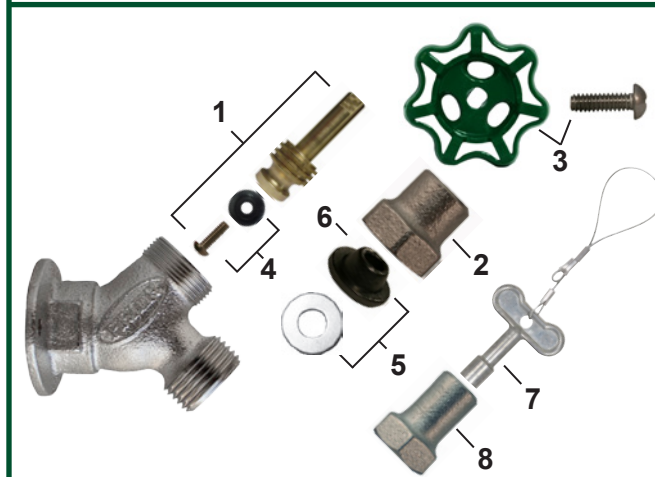
- Heavy pattern cast brass construction
- Solid cast brass mounting flange with enclosed screw holes
- Available either satin nickel plated or polished chrome finish
- Solid brass operating stem
- Cast aluminum handle assembly with stainless steel mounting screw
- AFG teflon with graphite packing
- Female iron pipe inlet connections, sweat connection on C-137
- 3/4" garden hose connection outlet
- Solid brass stem with ACME threads and 1/4" L bibb washer

Ordering

C-135NP.50



Replacement Parts



| ID | Part No. | Description |
|----|-------------|---------------------------------------------|
| 1 | 231-0001 | Stem Assembly, Rod (Brass) |
| 2 | 300-1008 | Valve Stem Cap (Nickel Plated) |
| 2 | 300-1013 | Valve Stem Cap (Polished Chrome) |
| 3 | C-134KT-805 | Oval Handle and Screw Kit (Aluminum) |
| 3 | C-135KT-805 | Oval Handle and Screw Kit (Polished Chrome) |
| 4 | C-135KT-802 | Seat Washer Kit, 1/4" Beveled |
| 5 | C-134KT-803 | Stem Packing Kit |
| 6 | 390-1001 | Packing Only |
| 7 | C-108KT-808 | Loose Key on Lanyard |
| 8 | 310-1015 | Extended Valve Stem Cap (Nickel Plated) |
| 8 | 310-1019 | Extended Valve Stem Cap (Polished Chrome) |
| | C-134KT-804 | Loose Key Conversion Kit, Contains: 5, 7, 8 |

ANGLE SILL FAUCETS



4515 East 139th Street
Grandview, MO 64030
(800) 362-9055
Fax (800) 362-1463
www.PRIER.com



4515 East 139th Street
Grandview, MO 64030
(800) 362-9055
Fax (800) 362-1463
www.PRIER.com

Application

Heavy Pattern Hose Bibbs



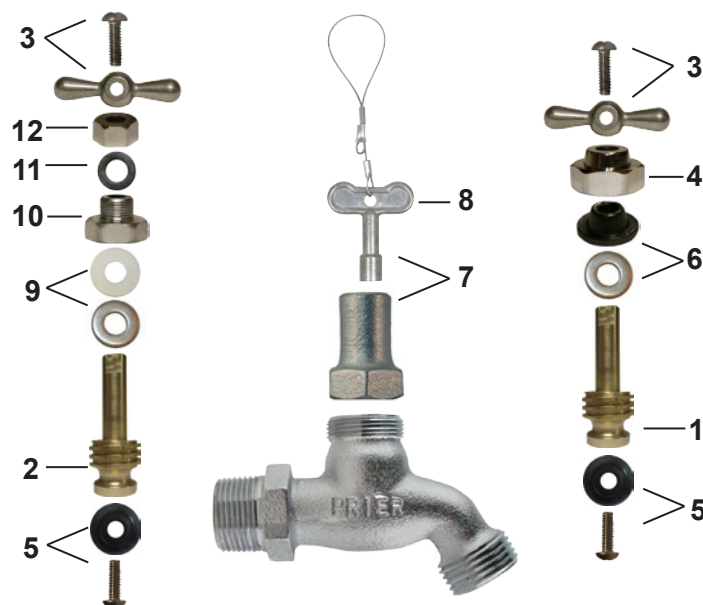
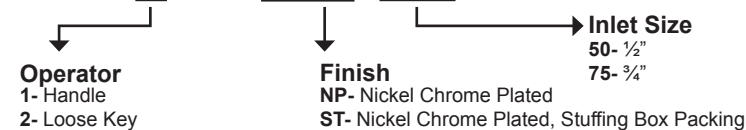
- Heavy Pattern
- Solid Cast Brass
- Satin Nickel Chromium Finish
- Stuffing Box Design Available

The PRIER C-138 Heavy Pattern Hose Bibbs are for installation in non-freezing areas such as basements, garages and for outdoor installations in mild climates. The heavy pattern design with solid brass stem assures years of reliable service with minimal maintenance. Stuffing box design is available for additional protection.

- Heavy pattern cast brass construction
- Satin nickel chromium finish
- Solid brass operating stem
- Inlet available 1/2" MPT x 1/2" female sweat or 3/4" MPT x 1/2" female sweat
- 3/4" garden hose connection outlet
- C-238 shipped with operating key

Features
Ordering

C-138NP.50



| ID | Part No. | Description |
|---------|-------------|--------------------------------|
| 1, 5 | 231-0001 | Stem Assembly (C-138) |
| 2, 5 | 231-0002 | Stem Assembly (C-138ST) |
| 3 | C-138KT-801 | T-Handle and Screw Kit |
| 4 | 310-1012 | Packing Nut (C-138) |
| 5 | C-135KT-802 | Seat Washer Replacement Kit |
| 6 | C-134KT-803 | Packing Kit (C-138) |
| 6, 7, 8 | C-134KT-804 | Loose Key Conversion Kit |
| 8 | C-108KT-808 | Loose Key on Lanyard |
| 9 | 390-0001 | Packing Only |
| 10 | 310-0005 | Packing Nut (C-138ST) |
| 11 | 393-0001 | Stuffing Box Packing (C-138ST) |
| 12 | 310-0006 | Stuffing Box (C-138ST) |

Replacement Parts

Application

Anti-Siphon Angle Sill Faucets

With Integral P-002 Vacuum Breaker



- Commercial
- Anti-Siphon
- Backflow Check Valve
- Optional Hydrant Box

PRIER's anti-siphon angle sill faucets are designed for areas that require water service with an anti-siphon backflow check valve connection, but are not subject to freezing temperatures. Typical installations include outdoor connections in mild climates or any indoor installation for residential, commercial, institutional and industrial applications. The heavy pattern design with solid brass stem assures years of reliable service with minimal maintenance. The faucets also have a powder coated non-ferrous metal handle or operating key on loose key vandalproof sill faucets. An optional valve box is available in either satin nickel or brass finish.

Features

- Heavy pattern cast brass construction with solid cast brass mounting flange with enclosed screw holes
- Optional heavy patterned casted brass valve box in satin nickel or brass finish
- Satin nickel plated or polished chrome body
- Powder coated non-ferrous metal handle or operating key on loose key vandalproof sill faucets
- Stainless steel seat washer screw and handle screw
- Full circle ACME threads on stem assembly with standard 1/4" L size seat washer
- Lock shield cap
- AFG teflon with graphite packing
- P-002 vacuum breaker backflow check valve approved under ASSE 1011

Ordering

Angle Sill Faucet Only

C-155NP.50



*PLEASE NOTE: C-157, C-257 and C-357 made for 1/2" or 3/4" sweat connections with M Copper only.



Optional Hydrant Box

C-155BX1

- Box Finish
- 1- Satin Nickel Plated
 - 2- Rough Brass





4515 East 139th Street
Grandview, MO 64030
(800) 362-9055
Fax (800) 362-1463
www.PRIER.com

| ID | Part No. | Description |
|----|-------------|--------------------------------------------------------|
| 1 | 231-0001 | Stem Assembly (Brass) Rod |
| 2 | C-135KT-802 | 1/4" Beveled Seat Washer Kit |
| 3 | C-134KT-805 | Handle and Screw Kit (Aluminum Lacquered Green) |
| | C-135KT-805 | Handle and Screw Kit (Polished Chrome Plated Aluminum) |
| 4 | 300-1008 | Valve Stem Cap (Nickel Plated) |
| | 300-1013 | Valve Stem Cap (Polished Chrome Plated) |
| 5 | C-134KT-803 | Stem Packing Kit |
| 6 | 390-1001 | Packing Only |
| 7 | C-108KT-808 | Loose Key on Lanyard |
| 8 | 310-1015 | Extended Valve Stem Cap (Nickel Plated) |
| | 310-1019 | Extended Valve Stem Cap (Polished Chrome Plated) |
| 9 | C-434KT-906 | Vacuum Breaker Replacement Kit |
| | C-134KT-804 | Loose Key Conversion Kit, Contains: 5, 7, 8 |



4515 East 139th Street
Grandview, MO 64030
(800) 362-9055
Fax (800) 362-1463
www.PRIER.com

Anti-Siphon Angle Sill Faucets

With Integral P-004 Double Check Vacuum Breaker



- Commercial
- Anti-Siphon
- Backflow Check Valve
- Optional Hydrant Box



PRIER's double check anti-siphon angle sill faucets are designed for areas that require water service with an anti-siphon backflow check valve connection, but are not subject to freezing temperatures. Typical installations include outdoor connections in mild climates or any indoor installation for residential, commercial, institutional and industrial applications. The heavy pattern design with solid brass stem assures years of reliable service with minimal maintenance. The faucets also have a powder coated non-ferrous metal handle or operating key on loose key vandlaproof sill faucets. An optional valve box is available in either satin nickel or brass finish.

- Heavy pattern cast brass construction with solid cast brass mounting flange with enclosed screw holes
- Optional heavy patterned casted brass valve box in satin nickel or brass finish
- Satin nickel plated or polished chrome body
- Powder coated non-ferrous metal handle or operating key on loose key vandalproof sill faucets
- Stainless steel seat washer screw and handle screw
- Full circle ACME threads on stem assembly with standard 1/4" L size seat washer
- Lock shield cap
- AFG teflon with graphite packing
- P-004 vacuum breaker backflow double check valve approved under ASSE 1052

Angle Sill Faucet Only

C-165NP.50

- Operator**
 - 1- Handle
 - 2- Loose Key
 - 3- Handle & Loose Key
- Inlet Type**
 - 5- FPT Inlet
 - 7- SWT Inlet
- Finish**
 - NP- Satin Nickel Plated
 - CP- Polished Chrome Plated*

*C-167, C-267 and C-367 not available in polished chrome finish
- Inlet Size**
 - 50- 1/2"
 - 75- 3/4"

***PLEASE NOTE:** C-167, C-267 and C-367 made for 1/2" or 3/4" sweat connections with M Copper only.



Optional Hydrant Box

C-155BX1

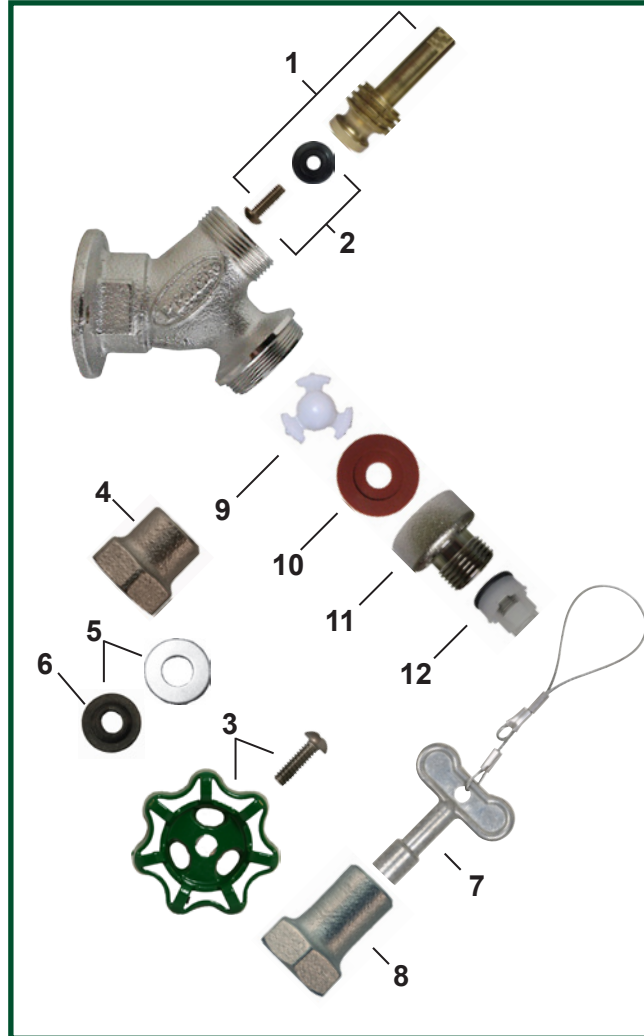
- Box Finish**
 - 1- Satin Nickel Plated
 - 2- Rough Brass





4515 East 139th Street
Grandview, MO 64030
(800) 362-9055
Fax (800) 362-1463
www.PRIER.com

Replacement Parts



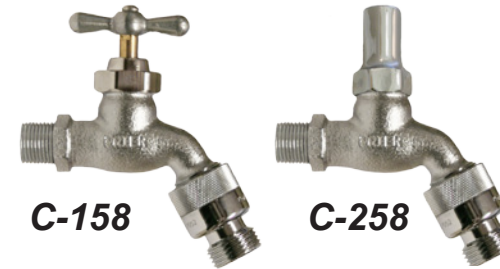
| ID | Part No. | Description |
|----|-------------|--------------------------------------------------------|
| 1 | 231-0001 | Stem Assembly (Brass) Rod |
| 2 | C-135KT-802 | 1/4" Beveled Seat Washer Kit |
| 3 | C-134KT-805 | Handle and Screw Kit (Aluminum Lacquered Green) |
| | C-135KT-805 | Handle and Screw Kit (Polished Chrome Plated Aluminum) |
| 4 | 300-1008 | Valve Stem Cap (Nickel Plated) |
| | 300-1013 | Valve Stem Cap (Polished Chrome Plated) |
| 5 | C-134KT-803 | Stem Packing Kit |
| 6 | 390-1001 | Packing Only |
| 7 | C-108KT-808 | Loose Key on Lanyard |
| 8 | 310-1015 | Extended Valve Stem Cap (Nickel Plated) |
| | 310-1019 | Extended Valve Stem Cap (Polished Chrome Plated) |
| 9 | 337-0002 | Check Spider (Acetal) |
| 10 | 336-0006 | Stepped Washer (Silicone) |
| 11 | 310-0018 | Vacuum Breaker Hose Piece |
| 12 | 399-0001 | Check Valve (Neoperl) |
| | C-434KT-906 | Vacuum Breaker Assembly, Contains: 9, 10, 11 |
| | C-134KT-804 | Loose Key Conversion Kit, Contains: 5, 7, 8 |



4515 East 139th Street
Grandview, MO 64030
(800) 362-9055
Fax (800) 362-1463
www.PRIER.com

Anti-Siphon Hose Bibbs

With Integral P-002 Vacuum Breaker



- Commercial
- Anti-Siphon
- Backflow Check Valve
- Solid Cast Brass



Application

PRIER Anti-Siphon Hose Bibbs are designed for areas that require water service with an anti-siphon backflow check valve connection, but are not subject to freezing temperatures. Typical installations include outdoor connections in mild climates or any indoor installation for residential, commercial, institutional and industrial applications.

Features

- Heavy pattern cast brass construction
- Satin nickel chromium finish
- Vandalproof lock shield cap on C-258 model
- Diecast aluminum t-handle or operating key on loose key hose bibbs
- Stainless steel seat washer screw and handle screw
- Full circle ACME threads on stem assembly with standard 1/4" L size seat washer
- AFG teflon with graphite packing
- P-002 vacuum breaker backflow check valve approved under ASSE 1011 and CSA B64.2

Ordering

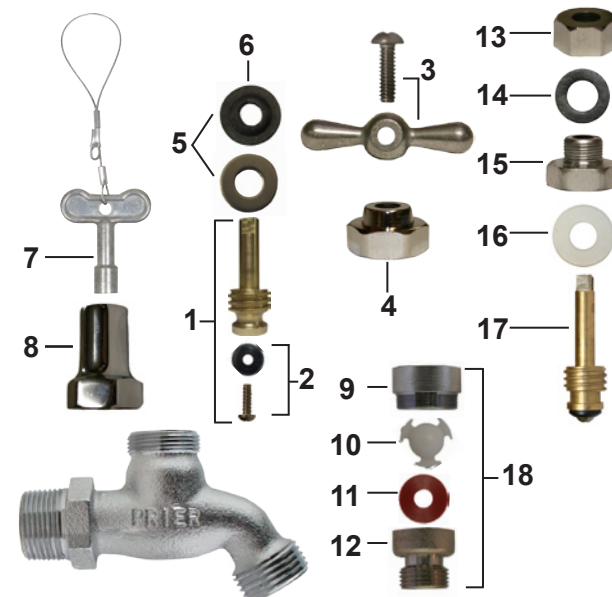
Replacement Parts

C-158NP.50

Operator
1- Handle
2- Loose Key

Finish
NP- Satin Nickel Plated
ST- Nickel Chrome Plated, Stuffing Box Packing

Inlet Size
50- 1/2"
75- 3/4"



| ID | Part No. | Description |
|----|-------------|-----------------------------------------------|
| 1 | 231-0001 | Stem Assembly, Rod (Brass) |
| 2 | C-134KT-802 | Seat Washer Kit, 1/4" Beveled |
| 3 | C-138KT-801 | T-Handle and Screw Kit |
| 4 | 310-1012 | Valve Stem Cap |
| 5 | C-134KT-803 | Stem Packing Kit |
| 6 | 390-1001 | Packing Only |
| 7 | C-108KT-808 | Loose Key on Lanyard |
| 8 | 310-1019 | Extended Valve Stem Cap (Polished Chrome) |
| 9 | 310-0023 | P-002 Adapter |
| 10 | 337-0002 | Check Spider (Acetal) |
| 11 | 336-0006 | Stepped Washer (Silicone) |
| 12 | 310-0018 | Vacuum Breaker Hose Piece |
| 13 | 310-0006 | Stuffing Box (C-158ST) |
| 14 | 393-0001 | Stuffing Box Packing (C-158ST) |
| 15 | 310-0005 | Packing Nut (C-158ST) |
| 16 | 390-0001 | Packing Spacer (C-158ST) |
| 17 | 231-0002 | Stem Assembly (C-158ST) |
| 18 | P-002CP | Hose End Vacuum Breaker |
| | C-434KT-906 | Vacuum Breaker Assembly, Contains, 10, 11, 12 |
| | C-134KT-804 | Loose Key Conversion Kit, Contains: 5, 7, 8 |



4515 East 139th Street
Grandview, MO 64030
(800) 362-9055
Fax (800) 362-1463
www.PRIER.com

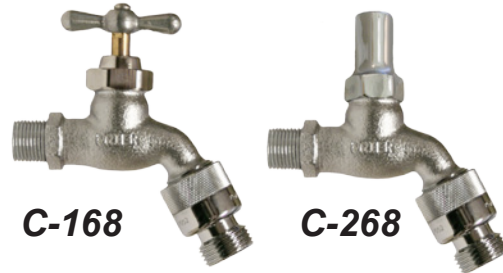


4515 East 139th Street
Grandview, MO 64030
(800) 362-9055
Fax (800) 362-1463
www.PRIER.com

Application

Anti-Siphon Hose Bibbs

With Integral P-002 Double Check Vacuum Breaker



- Commercial
- Anti-Siphon
- Backflow Check Valve
- Solid Cast Brass



PRIER double check anti-siphon hose bibbs are designed for areas that require water with an anti-siphon backflow check valve connection, but are not subject to freezing temperatures. Typical installations include outdoor connections in mild climates or any indoor installation for residential, commercial, institutional and industrial applications.

- Heavy pattern cast brass construction
- Satin nickel chromium finish
- Vandalproof lock shield cap on C-268 model
- Diecast aluminum t-handle or operating key on loose key hose bibbs
- Stainless steel seat washer screw and handle screw
- Full circle ACME threads on stem assembly with standard 1/4" L size seat washer
- AFG teflon with graphite packing
- P-004 vacuum breaker backflow double check valve approved under ASSE 1052 and CSA B64.2

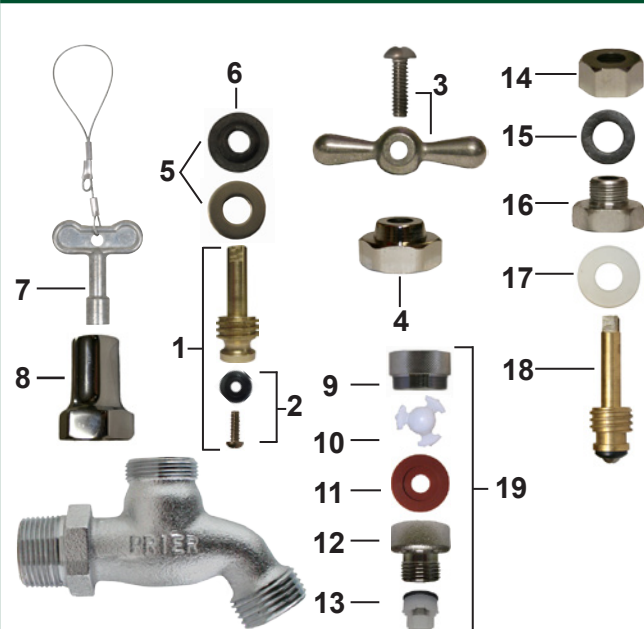
Features

Ordering

C-168NP.50



Replacement Parts



| ID | Part No. | Description |
|----|-------------|-----------------------------------------------|
| 1 | 231-0001 | Stem Assembly, Rod (Brass) |
| 2 | C-134KT-802 | Seat Washer Kit, 1/4" Beveled |
| 3 | C-138KT-801 | T-Handle and Screw Kit |
| 4 | 310-1012 | Valve Stem Cap |
| 5 | C-134KT-803 | Stem Packing Kit |
| 6 | 390-1001 | Packing Only |
| 7 | C-108KT-808 | Loose Key on Lanyard |
| 8 | 310-1019 | Extended Valve Stem Cap (Polished Chrome) |
| 9 | 310-0023 | P-004 Adapter |
| 10 | 337-0002 | Check Spider (Acetal) |
| 11 | 336-0006 | Stepped Washer (Silicone) |
| 12 | 310-0018 | Vacuum Breaker Hose Piece |
| 13 | 399-0001 | Check Valve (Neoperl) |
| 14 | 310-0006 | Stuffing Box (C-168ST) |
| 15 | 393-0001 | Stuffing Box Packing (C-168ST) |
| 16 | 310-0005 | Packing Nut (C-168ST) |
| 17 | 390-0001 | Packing Spacer (C-168ST) |
| 18 | 231-0002 | Stem Assembly (C-168ST) |
| 19 | P-004CP | Hose End Vacuum Breaker |
| | C-434KT-906 | Vacuum Breaker Assembly, Contains, 10, 11, 12 |
| | C-134KT-804 | Loose Key Conversion Kit, Contains: 5, 7, 8 |

P-002 Vacuum Breaker

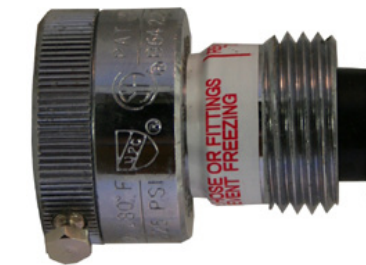


- Anti-Siphon
- Backflow Check Valve
- Breakaway Set Screw



| Part No. | Description | Carton Qty | Carton Wt |
|----------|------------------------------------------------------------|------------|-----------|
| P-002CP | ASSE 1011 Anti-Siphon VB and Backflow Check Valve (Chrome) | 36 | 10 lbs |
| P-002NP | ASSE 1011 Anti-Siphon VB and Backflow Check Valve (Nickel) | 36 | 10 lbs |

P-003 Vacuum Breaker



- Self-Draining
- Anti-Siphon
- Backflow Check Valve
- Breakaway Set Screw



| Part No. | Description | Carton Qty | Carton Wt |
|----------|---------------------------------------------------------------------------|------------|-----------|
| P-003CP | ASSE 1011 Self Draining, Anti-Siphon VB and Backflow Check Valve (Chrome) | 36 | 12 lbs |

P-004 Double Check Vacuum Breaker



- Anti-Siphon
- Double Check
- Dual Backflow Check Valves
- Breakaway Set Screw



| Part No. | Description | Carton Qty | Carton Wt |
|----------|-------------------------------------------------------------|------------|-----------|
| P-004CP | ASSE 1052 VB & Backflow Check Valve-Double Check (Chrome) | 36 | 10 lbs |
| P-004NP | ASSE 1052 VB and Backflow Check Valve-Double Check (Nickel) | 36 | 10 lbs |

Page 61 20 Series Heavy Pattern Globe Valves
Page 62 34 Series Heavy Pattern Brass Sillcocks
Page 63 44 Series Heavy Pattern Brass Hose Bibbs
Page 64 526 Series Heavy Pattern Boiler Drains



4515 East 139th Street
 Grandview, MO 64030
 (800) 362-9055
 Fax (800) 362-1463
 www.PRIER.com

Heavy Pattern Globe Valves

Lead Free Mansfield Style 20 and 22 Series



Application

Features

Ordering

Rough-In Dimensions

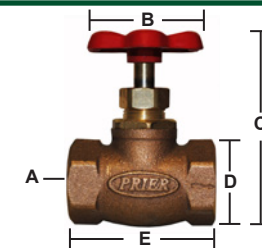
- Lead free
- Heavy pattern casted red brass construction
- Solid pattern operating stem
- Large unobstructed waterways for greater flow rates
- Cast metal handle assembly with brass mounting screw
- Red, blue or green operating handle options
- Packing nut design for years of reliable life
- AFG teflon with graphite packing
- Female and SWT iron pipe inlet connections
- Solid brass fast-travel stem with ACME threads
- Stop and waste option available
- Each valve individually air-tested

20.40-B

Waste Option
 0- No Waste Option
 2- Stop & Waste Design

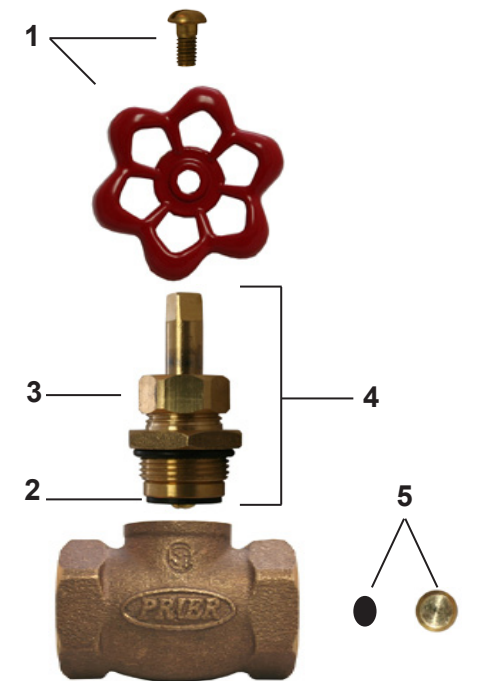
Inlet
 40- 1/2" FIP
 41- 1/2" SWT
 60- 3/4" FIP
 61- 3/4" SWT

Handle Option
 None- Red
 B- Blue
 G- PRIER Green



| Part No. | A | B | C (Closed) | C (Open) | D | E | ID | Part No. | Description |
|----------|----------|------|------------|----------|------|------|----|-----------|------------------------------------------------|
| 20.40 | 1/2" FIP | 1.9" | 2.6" | 3" | 1.3" | 2.2" | 1 | 630-0045 | Handle and Screw Kit |
| 20.41 | 1/2" SWT | 1.9" | 2.6" | 2.9" | 0.8" | 2.2" | 2 | 630-0047 | Bibb Washer and Screw Kit |
| 20.60 | 3/4" FIP | 1.9" | 2.9" | 3.2" | 1.4" | 2.3" | 3 | 339-3003 | Packing Only |
| 20.61 | 3/4" SWT | 1.9" | 2.7" | 3" | 1" | 2.6" | 4 | 231-3101 | Stem Assembly Complete |
| 22.40 | 1/2" FIP | 1.9" | 2.7" | 3" | 1.3" | 2.2" | 5 | 22.00-KT1 | Cap and Seal for Stop and Waste |
| 22.41 | 1/2" SWT | 1.9" | 2.5" | 2.9" | 0.8" | 2.2" | | 630-0043 | Service Kit for Stop Valves, Contains: 1, 2, 3 |
| 22.60 | 3/4" FIP | 1.9" | 2.9" | 3.2" | 1.4" | 2.3" | | | |
| 22.61 | 3/4" SWT | 1.9" | 2.8" | 3" | 1" | 2.6" | | | |

Replacement Parts



**PLUMBING
BRASS**



4515 East 139th Street
Grandview, MO 64030
(800) 362-9055
Fax (800) 362-1463
www.PRIER.com

Heavy Pattern Brass Sillcocks

Mansfield Style 34 Series

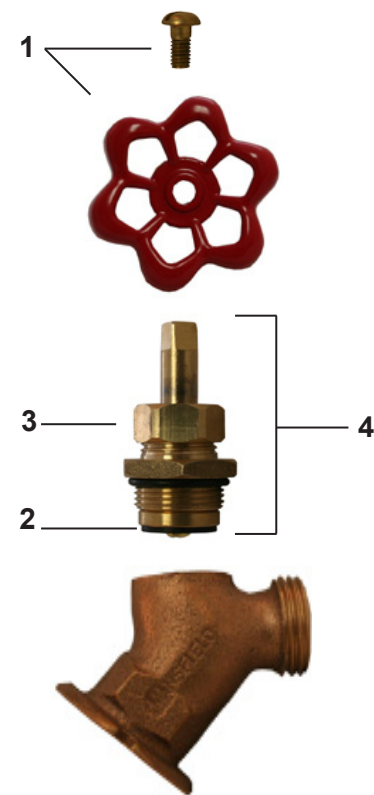


Application

Features

- Heavy pattern casted red brass construction
- Solid brass operating stem
- Large unobstructed waterways for greater flow rates
- Cast metal handle assembly with brass mounting screw
- Red, blue or green operating handle options
- Packing nut design for years of reliable life
- AFG teflon with graphite packing
- Available with integral vacuum breaker
- Female and SWT iron pipe inlet connections
- 3/4" garden hose connection outlet
- Solid brass fast-travel stem with ACME threads
- Each valve individually air-tested

Replacement Parts



Ordering

34.40VB-B

Inlet
40- 1/2" FIP
60- 3/4" FIP
67- 1/2" Copper Inside
or 3/4" Type M Copper
Outside

VB- Integral Vacuum Breaker

Handle Option
None- Red
B- Blue
G- PRIER Green

| ID | Part No. | Description |
|----|----------|-------------------------------------------------------|
| 1 | 630-0045 | Handle and Screw Kit |
| 2 | 630-0047 | Bibb Washer and Screw Kit |
| 3 | 339-3003 | Packing Only |
| 4 | 231-3101 | Stem Assembly Complete |
| | 630-0043 | Service Kit for Brass Sillcocks, Contains: 1, 2, 3 |

34-D

62



4515 East 139th Street
Grandview, MO 64030
(800) 362-9055
Fax (800) 362-1463
www.PRIER.com

Heavy Pattern Brass Hose Bibbs

Mansfield Style 44 Series

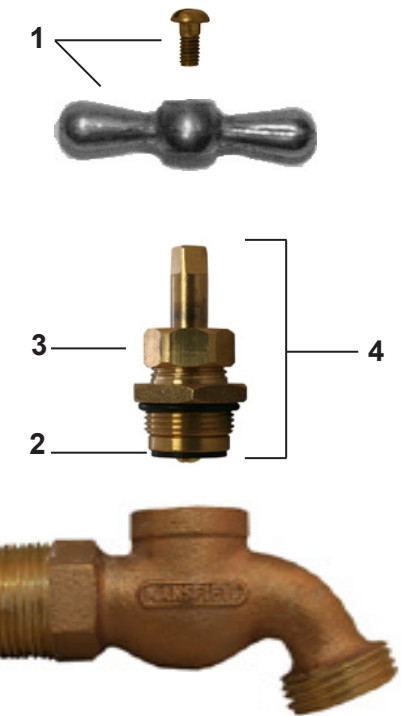


Application

Features

- Heavy pattern casted red brass construction
- Solid brass operating stem
- Large unobstructed waterways for greater flow rates
- Cast metal handle assembly with brass mounting screw
- Red, blue or green operating handle options
- Packing nut design for years of reliable life
- AFG teflon with graphite packing
- Female and SWT iron pipe inlet connections
- 3/4" garden hose connection outlet
- Solid brass fast-travel stem with ACME threads
- Each valve individually air-tested

Replacement Parts



Ordering

44.42-B

Inlet
42- 1/2" MIP x 1/2" SWT
62- 3/4" MIP

Handle Option
None- Red
B- Blue
G- PRIER Green

| ID | Part No. | Description |
|----|----------|--------------------------------------------------|
| 1 | 630-0046 | Handle and Screw Kit |
| 2 | 630-0047 | Bibb Washer and Screw Kit |
| 3 | 339-3003 | Packing Only |
| 4 | 231-3101 | Stem Assembly Complete |
| | 630-0044 | Service Kit for Hose Bibbs, Contains: 1, 2, 3 |

44-E

63



4515 East 139th Street
Grandview, MO 64030
(800) 362-9055
Fax (800) 362-1463
www.PRIER.com

Heavy Pattern Boiler Drains

Mansfield Style 526 Series



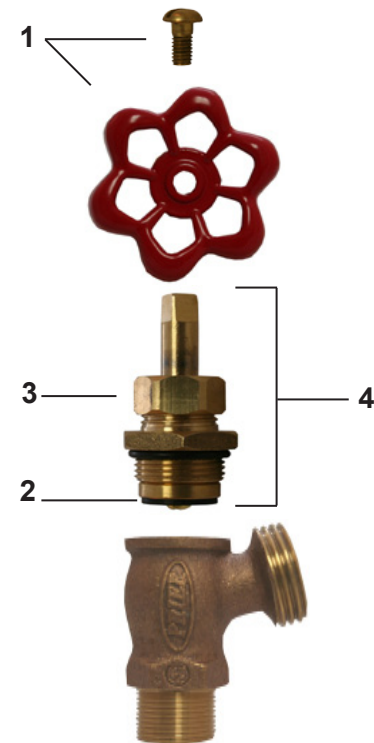
Application

Features

Ordering

- Heavy pattern casted red brass construction
- Solid brass operating stem
- Large unobstructed waterways for greater flow rates
- Cast metal handle assembly with brass mounting screw
- Red, blue or green operating handle options
- Packing nut design for years of reliable life
- AFG teflon with graphite packing
- Female and SWT iron pipe inlet connections
- 3/4" garden hose connection outlet
- Solid brass fast-travel stem with ACME threads
- Each valve individually air-tested

Replacement Parts



526.40-B

Inlet
 40- 1/2" FIP
 42- 1/2" MIP x 1/2" SWT
 43- 1/2" Compression
 62- 3/4" MIP

Handle Option
 None- Red
 B- Blue
 G- PRIER Green

| ID | Part No. | Description |
|----|----------|--------------------------------------------------|
| 1 | 630-0045 | Handle and Screw Kit |
| 2 | 630-0047 | Bibb Washer and Screw Kit |
| 3 | 339-3003 | Packing Only |
| 4 | 231-3101 | Stem Assembly Complete |
| | 630-0043 | Service Kit for Boiler Drains, Contains: 1, 2, 3 |

- Page 66 A-110 Cast Iron Shower Drain
- Page 67 B-102 Cast Iron Shower Drain With Trap
- Page 68 B-110 Cast Iron Shower Drain
- Page 69 C-121 Cast Brass Closet Floor Flange
- Page 70 C-200 Cast Brass Cleanout Plug
- Page 71 C-212 Brass Sinkwaste
- Page 72 C-330 Floor and Wall Covers
- Page 73 C-342 Cast Brass Backwater Valve
- Page 73 C-162 4-Way Loose Key Wrench
- Page 73 C-10 Series Wheel Handle
- Page 74 P-310 Cast Brass Shower Drain
- Page 75 P-312 Angle Style Brass Shower Drain
- Page 76 P-325 Floor Drain Covers

DRAINAGE PRODUCTS



4515 East 139th Street
Grandview, MO 64030
(800) 362-9055
Fax (800) 362-1463
www.PRIER.com



4515 East 139th Street
Grandview, MO 64030
(800) 362-9055
Fax (800) 362-1463
www.PRIER.com

Application

A-110 Series Cast Iron Shower Drain

With P-315 Brass Strainer



- Cast Iron Body
- 4 1/2" Cast Brass Strainer
- Threaded Cast Iron Clamping Ring
- Available with 2" FPT or 2" Inside Caulk Inlet

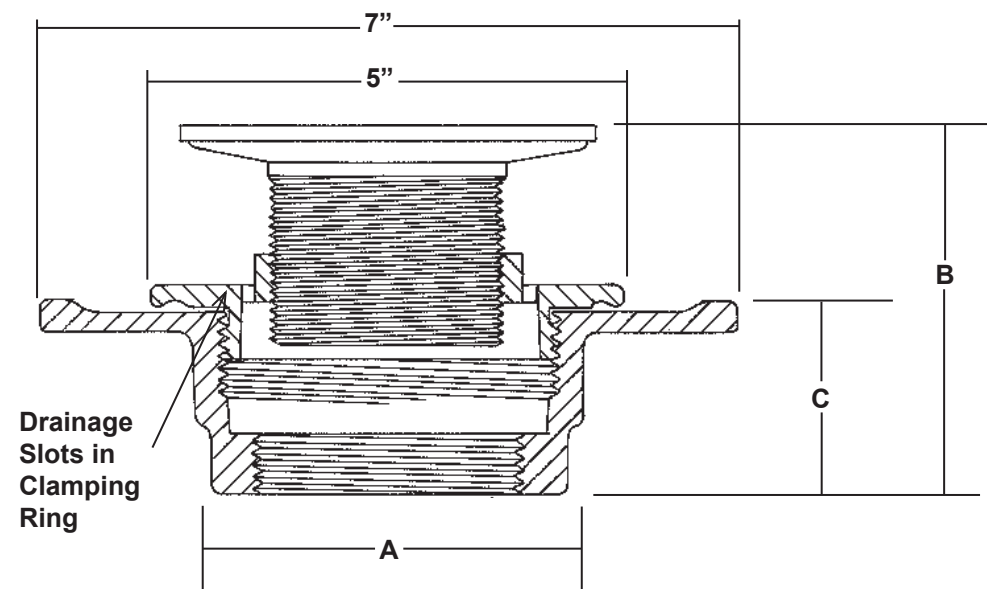
Ordering

A-110CL-012

Inlet
CL- 2" Caulk Type
FE- 2" Female Pipe Thread

Strainer
012- Chrome Plated Brass
013- Polished Brass

Rough-In Dimensions



| | 2" FPT Inlet | 2" Caulk Inlet |
|--------------------|--------------|----------------|
| "A" Length | 2 7/8" | 3 5/8" |
| "B" Maximum Length | 4 5/16" | 4 1/2" |
| "B" Minimum Length | 3" | 3 3/16" |
| "C" Length | 2" | 2 3/16" |

Application

B-102 Series Cast Iron Shower Drain With Trap

With P-315 Brass Strainer



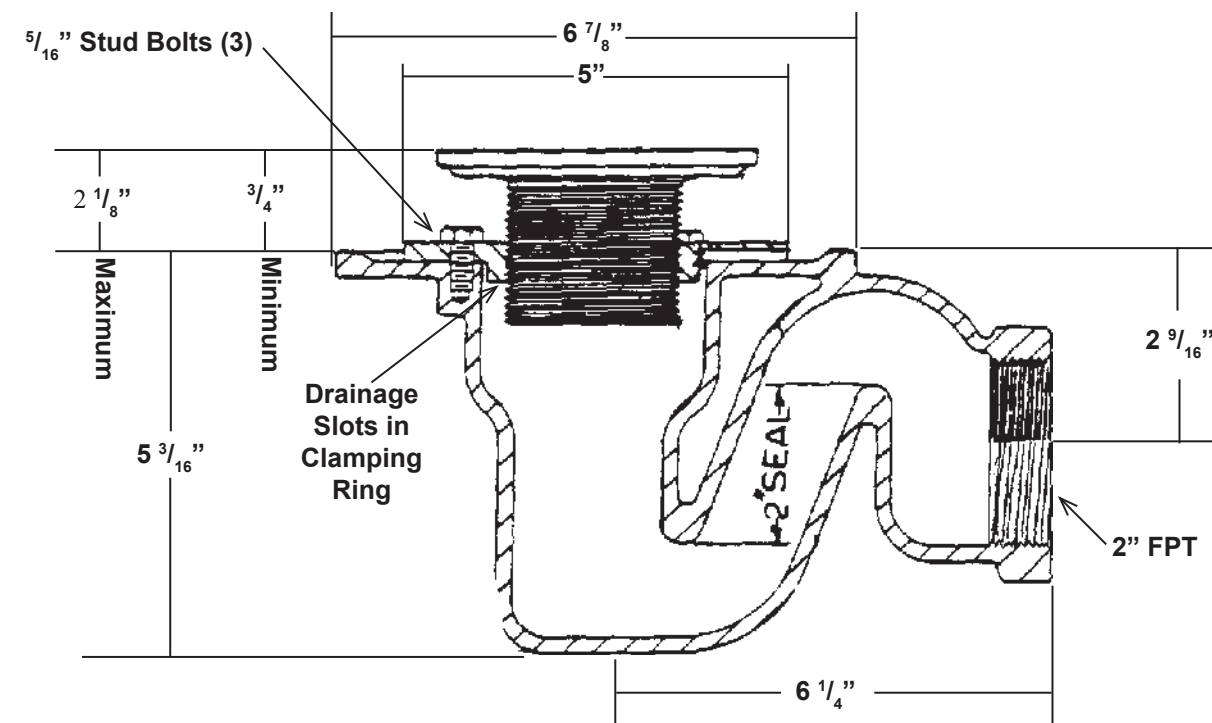
- Cast Iron Body With Trap
- 4 1/2" Cast Brass Strainer
- 2" FPT Inlet
- Bolt-Down Cast Iron Clamping Ring

Ordering

B-102-012

Strainer
012- Chrome Plated Brass
013- Polished Brass

Rough-In Dimensions





4515 East 139th Street
Grandview, MO 64030
(800) 362-9055
Fax (800) 362-1463
www.PRIER.com



4515 East 139th Street
Grandview, MO 64030
(800) 362-9055
Fax (800) 362-1463
www.PRIER.com

Application

Ordering

Rough-In Dimensions

B-110 Series Cast Iron Shower Drain

With P-315 Brass Strainer

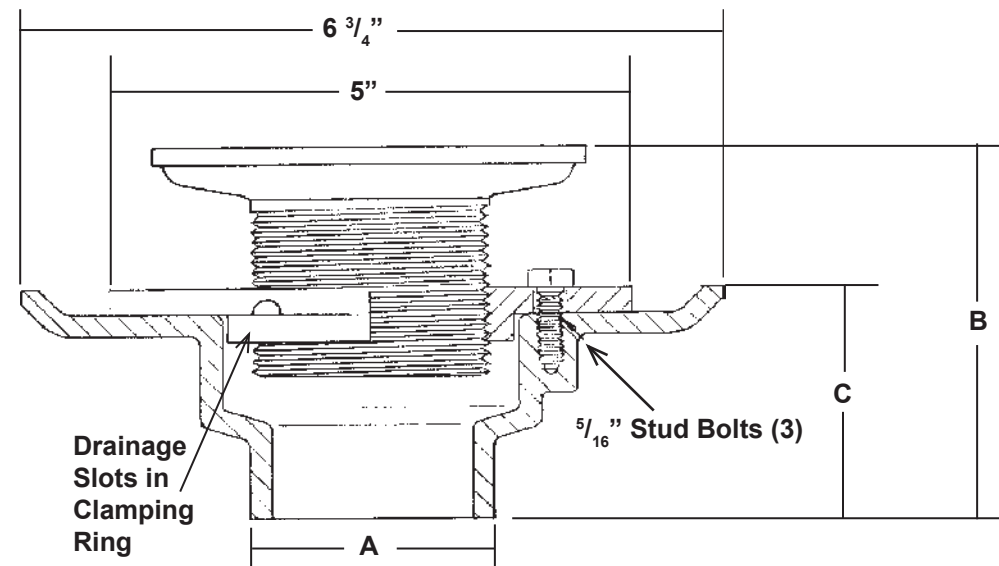


- Cast Iron Body
- 4 1/4" Cast Brass Strainer
- Threaded Cast Iron Clamping Ring
- Bolt-Down Cast Iron Clamping Ring

B-110CL-012

Inlet
CL- 2" Caulk Type
FE- 2" Female Pipe Thread
PL- 2" Plain End-No Hub

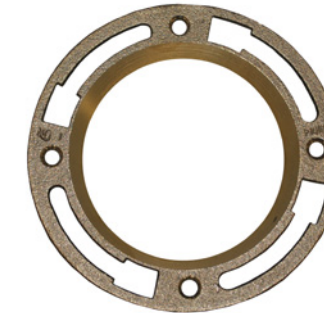
Strainer
012- Chrome Plated Brass
013- Polished Brass



| | 2" FPT Inlet | 2" Caulk Inlet | 2" No Hub |
|--------------------|--------------|----------------|-----------|
| "A" Length | 3 1/4" | 3 1/4" | 2 5/16" |
| "B" Maximum Length | 4 5/16" | 4 1/2" | 5 3/16" |
| "B" Minimum Length | 3" | 3 3/16" | 4 1/16" |
| "C" Length | 2" | 2 3/16" | 2 9/16" |

C-121 Series Cast Brass Closet Floor Flange

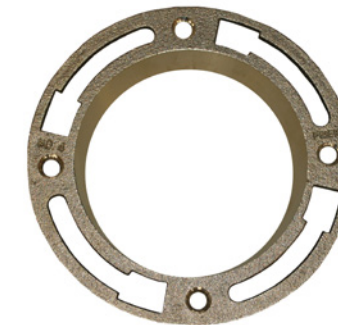
C-121 #1



- Heavy Pattern Cast Brass
- 4" Pipe Size
- 9/16" Collar
- Wiping Surface Machined
- Recessed Groove for Bolt Heads
- Four 5/16" Bolt Slots
- Meets ASME/ANSI B16-23

| Part No. | Description | Carton Qty | Carton Wt |
|----------|------------------------------|------------|-----------|
| C-121-01 | Cast Brass Closet Flange; #1 | 24 | 24 lbs |

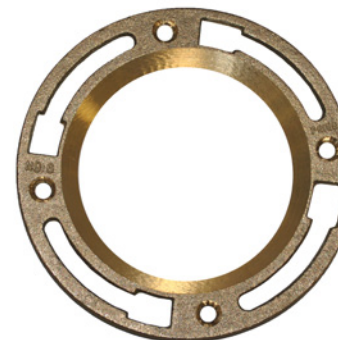
C-121 #4



- Heavy Pattern Cast Brass
- Replacement type for 4" Pipe
- Extra Deep 1 1/8" Collar
- Wiping Surface Machined
- Recessed Groove for Bolt Heads
- Four 5/16" Bolt Slots
- Meets ASME/ANSI B16-23

| Part No. | Description | Carton Qty | Carton Wt |
|----------|------------------------------|------------|-----------|
| C-121-04 | Cast Brass Closet Flange; #4 | 24 | 32 lbs |

C-121 #6



- Heavy Pattern Cast Brass
- Flat type for 4" Pipe
- 3/8" Deep Collar
- Wiping Surface Machined
- Recessed Groove for Bolt Heads
- Four 5/16" Bolt Slots
- Meets ASME/ANSI B16-23

| Part No. | Description | Carton Qty | Carton Wt |
|----------|------------------------------|------------|-----------|
| C-121-06 | Cast Brass Closet Flange; #6 | 24 | 26 lbs |



4515 East 139th Street
Grandview, MO 64030
(800) 362-9055
Fax (800) 362-1463
www.PRIER.com



4515 East 139th Street
Grandview, MO 64030
(800) 362-9055
Fax (800) 362-1463
www.PRIER.com

Ordering

C-200/C-201 Series Cast Brass Cleanout Plug



- Cast Brass
- Precision Machined
- Available with 1/4"-20 Tapping

| Part No. | Description | Carton Qty | Carton Wt |
|-------------|----------------------------------------------------|------------|-----------|
| C-200-112 | 1 1/2" brass cleanout plug, countersunk | 24 | 6 lbs |
| C-200-2 | 2" brass cleanout plug, countersunk | 24 | 7 lbs |
| C-200-212 | 2 1/2" brass cleanout plug, countersunk | 24 | 9 lbs |
| C-200-3 | 3" brass cleanout plug, countersunk | 24 | 10 lbs |
| C-200-312 | 3 1/2" brass cleanout plug, countersunk | 24 | 12 lbs |
| C-200-4 | 4" brass cleanout plug, countersunk | 24 | 15 lbs |
| C-200-5 | 5" brass cleanout plug, countersunk | 24 | 26 lbs |
| C-200-6 | 6" brass cleanout plug, countersunk | 24 | 35 lbs |
| | | | |
| C-201-1 | 1" brass cleanout plug, raised head | 24 | 5 lbs |
| C-201-114 | 1 1/4" brass cleanout plug, raised head | 24 | 5 lbs |
| C-201-112 | 1 1/2" brass cleanout plug, raised head | 24 | 6 lbs |
| C-201-2 | 2" brass cleanout plug, raised head | 24 | 7 lbs |
| C-201-212 | 2 1/2" brass cleanout plug, raised head | 24 | 8 lbs |
| C-201-3 | 3" brass cleanout plug, raised head | 24 | 11 lbs |
| C-201-312 | 3 1/2" brass cleanout plug, raised head | 24 | 13 lbs |
| C-201-4 | 4" brass cleanout plug, raised head | 24 | 16 lbs |
| C-201-5 | 5" brass cleanout plug, raised head | 24 | 28 lbs |
| C-201-6 | 6" brass cleanout plug, raised head | 24 | 37 lbs |
| | | | |
| C-200DR-112 | 1 1/2" brass plug, countersunk, drilled and tapped | 24 | 6 lbs |
| C-200DR-2 | 2" brass plug, countersunk, drilled and tapped | 24 | 7 lbs |
| C-200DR-212 | 2 1/2" brass plug, countersunk, drilled and tapped | 24 | 9 lbs |
| C-200DR-3 | 3" brass plug, countersunk, drilled and tapped | 24 | 10 lbs |
| C-200DR-312 | 3 1/2" brass plug, countersunk, drilled and tapped | 24 | 12 lbs |
| C-200DR-4 | 4" brass plug, countersunk, drilled and tapped | 24 | 15 lbs |
| C-200DR-5 | 5" brass plug, countersunk, drilled and tapped | 24 | 26 lbs |
| C-200DR-6 | 6" brass plug, countersunk, drilled and tapped | 24 | 35 lbs |
| | | | |
| C-201DR-1 | 1" brass plug, raised head, drilled and tapped | 24 | 5 lbs |
| C-201DR-114 | 1 1/4" brass plug, raised head, drilled and tapped | 24 | 5 lbs |
| C-201DR-112 | 1 1/2" brass plug, raised head, drilled and tapped | 24 | 6 lbs |
| C-201DR-2 | 2" brass plug, raised head, drilled and tapped | 24 | 7 lbs |
| C-201DR-212 | 2 1/2" brass plug, raised head, drilled and tapped | 24 | 8 lbs |
| C-201DR-3 | 3" brass plug, raised head, drilled and tapped | 24 | 11 lbs |
| C-201DR-312 | 3 1/2" brass plug, raised head, drilled and tapped | 24 | 13 lbs |
| C-201DR-4 | 4" brass plug, raised head, drilled and tapped | 24 | 16 lbs |
| C-201DR-5 | 5" brass plug, raised head, drilled and tapped | 24 | 28 lbs |
| C-201DR-6 | 6" brass plug, raised head, drilled and tapped | 24 | 35 lbs |

C-200-D

C-212 1" Brass Sinkwaste



- Heavy Pattern Cast Brass
- Brass Plug
- Available Chrome Plated or Brass
- Includes Tailpiece, Washers and Nuts
- Brass or Nickel Pull Ring

| Part No. | Description | Carton Qty | Carton Wt |
|-------------|-------------------------------------------------------|------------|-----------|
| C-212BR | 1" Brass Sinkwaste with Tailpiece, Brass Finish | 24 | 20 lbs |
| C-212CP | 1" Brass Sinkwaste with Tailpiece, Chrome Plated | 24 | 20 lbs |
| C-212BR-011 | 1" Brass Sinkwaste Body & Locknut Only, Brass Finish | 24 | 14 lbs |
| C-212CP-011 | 1" Brass Sinkwaste Body & Locknut Only, Chrome Plated | 24 | 14 lbs |
| C-212ST | 10" Standpipe for C-212 | EA | |
| 400-0015 | Locknut, Brass for C-212 | EA | |
| 400-0016 | Coupling Nut, Brass for C-212 | EA | |

C-210 1 1/2" Brass Sinkwaste



- Heavy Pattern Cast Brass
- Brass Plug
- Available Chrome Plated or Brass
- Includes Washers and Nut
- Brass or Nickel Pull Ring

| Part No. | Description | Carton Qty | Carton Wt |
|----------|--------------------------------------|------------|-----------|
| C-210BR | 1 1/2" Sinkwaste Unit, Brass Finish | 24 | 22 lbs |
| C-210CP | 1 1/2" Sinkwaste Unit, Chrome Plated | 24 | 22 lbs |
| 405-0002 | 1 1/2" Locknut for C-210 | EA | |

C-212-E



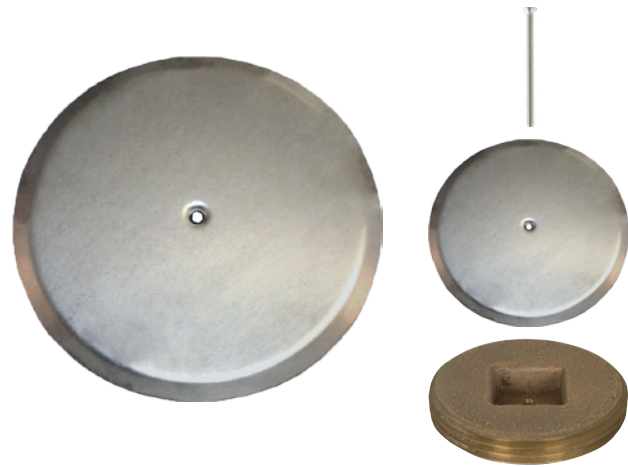
4515 East 139th Street
Grandview, MO 64030
(800) 362-9055
Fax (800) 362-1463
www.PRIER.com



4515 East 139th Street
Grandview, MO 64030
(800) 362-9055
Fax (800) 362-1463
www.PRIER.com

Application

C-330 Series Floor and Wall Covers



- Heavy Duty Stainless Steel
- Floor Covers:
14 Gauge (.080 thick)
- Wall Covers:
22 Gauge (.030 thick)
- Polished Mirror Finish on Floor and Wall Covers

Ordering

| Part No. | Description | Carton Qty | Carton Wt |
|----------------|---------------------------------------|------------|-----------|
| C-330FL03 | 3" Stainless Steel Floor Cover | 24 | 4 lbs |
| C-330FL04 | 4" Stainless Steel Floor Cover | 24 | 6 lbs |
| C-330FL05 | 5" Stainless Steel Floor Cover | 24 | 9 lbs |
| C-330FL06 | 6" Stainless Steel Floor Cover | 24 | 12 lbs |
| C-330FL08 | 8" Stainless Steel Floor Cover | 24 | 22 lbs |
| C-330FL10 | 10" Stainless Steel Floor Cover | 24 | 40 lbs |
| C-330WL03 | 3" Stainless Steel Wall Cover | 24 | 3 lbs |
| C-330WL04 | 4" Stainless Steel Wall Cover | 24 | 4 lbs |
| C-330WL05 | 5" Stainless Steel Wall Cover | 24 | 6 lbs |
| C-330WL06 | 6" Stainless Steel Wall Cover | 24 | 8 lbs |
| C-330WL08 | 8" Stainless Steel Wall Cover | 24 | 10 lbs |
| C-330WL10 | 10" Stainless Steel Wall Cover | 24 | 16 lbs |
| 914-2500-02.25 | 1/4"-20 x 2 1/4" Bolt-Stainless Steel | 24 | 1 lb |
| 914-2500-04 | 1/4"-20 x 4" Bolt-Stainless Steel | 24 | 2 lbs |
| 914-2500-06 | 1/4"-20 x 6" Bolt-Stainless Steel | 24 | 3 lbs |

Extension Cover Kits

| Part No. | Wall Cover Size | C-Sunk Plug Size | Bolt Length | Carton Qty | Carton Wt |
|-----------|-----------------|------------------|-------------|------------|-----------|
| C-330KT-3 | 3" | 1 1/2" | 2 1/4" | 12 | 5 lbs |
| C-330KT-4 | 4" | 2" | 2 1/4" | 12 | 6 lbs |
| C-330KT-6 | 6" | 3" | 2 1/4" | 12 | 8 lbs |
| C-330KT-8 | 8" | 4" | 2 1/4" | 12 | 14 lbs |

C-330-D

C-342 Series Cast Brass Backwater Valve



- Precision Machined Cast Brass
- Backwater Valve Unit Complete with Float Ball and Sealing O-Ring or Spud Washer Gasket
- For Insertion in Existing or Newly Installed Drains

| Part No. | Description | Carton Qty | Carton Wt |
|----------|---------------------------------------------------------|------------|-----------|
| C-342OR | 2" Brass Backwater Valve complete with O-Ring Seal | 24 | 15 lbs |
| C-342SP | 2" Brass Backwater Valve complete with Spud Washer Seal | 24 | 15 lbs |
| 430-0001 | Plastic Float Ball for 2" C-342 | EA | |

C-162 Series 4-Way Loose Key Wrench



- Heavy Pattern Cast Brass
- Designed for PRIER Oval Style Stems and Standard Square Stems



| Part No. | Description | Carton Qty | Carton Wt |
|----------|------------------------------------------------------------------|------------|-----------|
| C-162 | 4-Way Loose Key Wrench for 3/16", 1/3", 1/2" or oval connections | 72 | 40 lbs |

C-10 Series Wheel Handle



- 3/8" Square Key Rod
- 3 3/4" Diameter
- Shipped with Set Screw

| Part No. | Description | Carton Qty | Carton Wt |
|----------|-----------------------------|------------|-----------|
| C-10 | Large Diameter Wheel Handle | 72 | 14 lbs |

73

C-342-F



4515 East 139th Street
Grandview, MO 64030
(800) 362-9055
Fax (800) 362-1463
www.PRIER.com

P-310/P-311 Series Cast Brass Shower Drain

Application

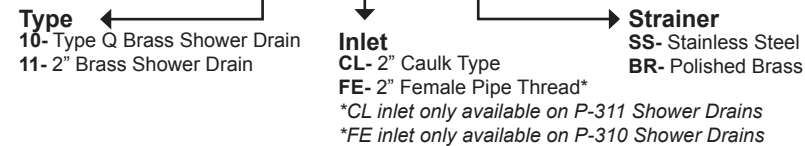
Type Q Shower Stall Drain



- Cast Brass Body
- For Installation Into Preformed Shower Stalls
- 2" FPT or 2" Inside Caulk
- Compression Gasket Tightened with Inner Nut on P-311
- Stainless Steel or Polished Brass Strainer

Ordering

P-310CL-SS



| Part No. | Description | Carton Qty | Carton Wt |
|------------|-------------------------------------------------------------------------------------------------|------------|-----------|
| P-310FE-SS | Type Q Brass Shower Drain; 2" FPT, Stainless Steel Strainer | 24 | 30 lbs |
| P-310FE-BR | Type Q Brass Shower Drain; 2" FPT, Polished Brass Strainer | 24 | 30 lbs |
| P-311CL-SS | 2" Brass Shower Drain; 2" Caulk with Adapter, Compression Nut and Key, Stainless Steel Strainer | 24 | 32 lbs |
| P-311CL-BR | 2" Brass Shower Drain; 2" Caulk with Adapter, Compression Nut and Key, Polished Brass Strainer | 24 | 32 lbs |
| 420-0001 | Polished Brass Snap-in Strainer Only for P-310, P-311, P-312 Drains | EA | |
| 424-0002 | Stainless Steel Snap-in Strainer Only for P-310, P-311, P-312 Drains | EA | |



4515 East 139th Street
Grandview, MO 64030
(800) 362-9055
Fax (800) 362-1463
www.PRIER.com

P-312 Series Angle Style Brass Shower Drain

Application

Low Profile Type Q Angle Style



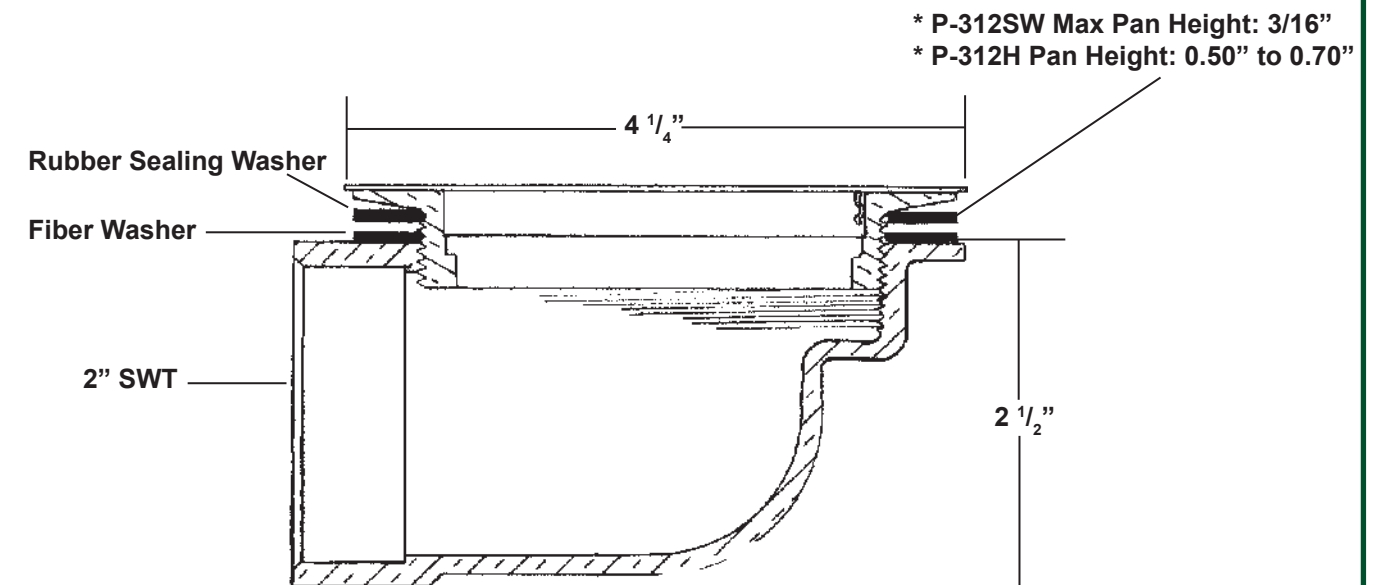
- Cast Brass Body
- For installation into preformed shower stalls
- Designed for installation requiring low clearance and side outlet
- Stainless Steel or Polished Brass Strainer

PRIER P-312 Angle Style Shower Drain is designed for use in preformed shower bases. Its low profile and side outlet make this 2" drain ideal for many flexible installation applications. The cast brass body ensures years of reliable service. The P-312 is available with either a stainless steel or polished brass circular design snap-in strainer.

Ordering

| Part No. | Description | Carton Qty | Carton Wt |
|------------|-----------------------------------------------------------------------------|------------|-----------|
| P-312SW-SS | Type Q Elbow Shower Drain, Stainless Steel Strainer, 2" SWT Connection | 24 | 60 lbs |
| P-312SW-BR | Type Q Elbow Shower Drain, Polished Brass Strainer, 2" SWT Connection | 24 | 60 lbs |
| P-312H-SS | Type Q Elbow Shower Drain, Tall Stainless Steel Strainer, 2" SWT Connection | 8 | 25.5 lbs |
| P-312H-BR | Type Q Elbow Shower Drain, Tall Polished Brass Strainer, 2" SWT Connection | 8 | 25.5 lbs |

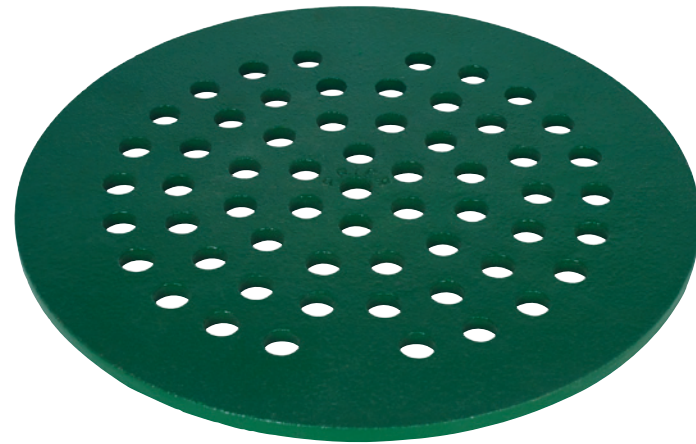
Rough-In Dimensions





4515 East 139th Street
Grandview, MO 64030
(800) 362-9055
Fax (800) 362-1463
www.PRIER.com

P-325 Series Floor Drain Covers



- Heavy Pattern Cast Iron
- Medium Duty
- Green Enamel Painted
- Screwholes Available Upon Request
- Custom sizes from 4 1/2" to 12" available

Application

Ordering

| Part No. | Description | Thickness | Carton Qty | Carton Wt |
|-----------|------------------------------------------|-----------|------------|-----------|
| P-325-05 | 5" Cast Iron Replacement Drain Cover | 1/4" | 12 | 14 lbs |
| P-325-06 | 6" Cast Iron Replacement Drain Cover | 1/4" | 12 | 18 lbs |
| P-325-614 | 6 1/4" Cast Iron Replacement Drain Cover | 1/4" | 12 | 19 lbs |
| P-325-612 | 6 1/2" Cast Iron Replacement Drain Cover | 1/4" | 12 | 20 lbs |
| P-325-658 | 6 5/8" Cast Iron Replacement Drain Cover | 1/4" | 12 | 22 lbs |
| P-325-634 | 6 3/4" Cast Iron Replacement Drain Cover | 1/4" | 12 | 25 lbs |
| P-325-07 | 7" Cast Iron Replacement Drain Cover | 1/4" | 12 | 26 lbs |
| P-325-714 | 7 1/4" Cast Iron Replacement Drain Cover | 1/4" | 12 | 27 lbs |
| P-325-712 | 7 1/2" Cast Iron Replacement Drain Cover | 1/4" | 12 | 28 lbs |
| P-325-734 | 7 3/4" Cast Iron Replacement Drain Cover | 1/4" | 12 | 29 lbs |
| P-325-08 | 8" Cast Iron Replacement Drain Cover | 1/4" | 12 | 32 lbs |
| P-325-814 | 8 1/4" Cast Iron Replacement Drain Cover | 1/4" | 12 | 36 lbs |
| P-325-812 | 8 1/2" Cast Iron Replacement Drain Cover | 1/4" | 12 | 48 lbs |
| P-325-834 | 8 3/4" Cast Iron Replacement Drain Cover | 1/4" | 12 | 46 lbs |
| P-325-09 | 9" Cast Iron Replacement Drain Cover | 5/16" | 6 | 26 lbs |
| P-325-914 | 9 1/4" Cast Iron Replacement Drain Cover | 5/16" | 6 | 28 lbs |
| P-325-912 | 9 1/2" Cast Iron Replacement Drain Cover | 5/16" | 6 | 29 lbs |
| P-325-934 | 9 3/4" Cast Iron Replacement Drain Cover | 5/16" | 6 | 30 lbs |
| P-325-10 | 10" Cast Iron Replacement Drain Cover | 5/16" | 6 | 32 lbs |
| P-325-12 | 12" Cast Iron Replacement Drain Cover | 5/16" | 6 | 44 lbs |

- Page 78 09 Ballcock
- Page 79 190 Straight Pattern Urinal Flush Valve
- Page 80 370 Liquid Level Control Valve
- Page 81 451 Pressure Relief Valve
- Page 81 184 Self-Closing Multi-Purpose Valve
- Page 82 C-64 Brass Log Lighter Valve
- Page 83 C-67 Brass Log Lighter Ball Valve
- Page 84 C-69 Cast Iron Burner Bar
- Page 85 C-70 Hearthglow Log Lighter Kits

**SPECIALTY
VALVES**



4515 East 139th Street
Grandview, MO 64030
(800) 362-9055
Fax (800) 362-1463
www.PRIER.com

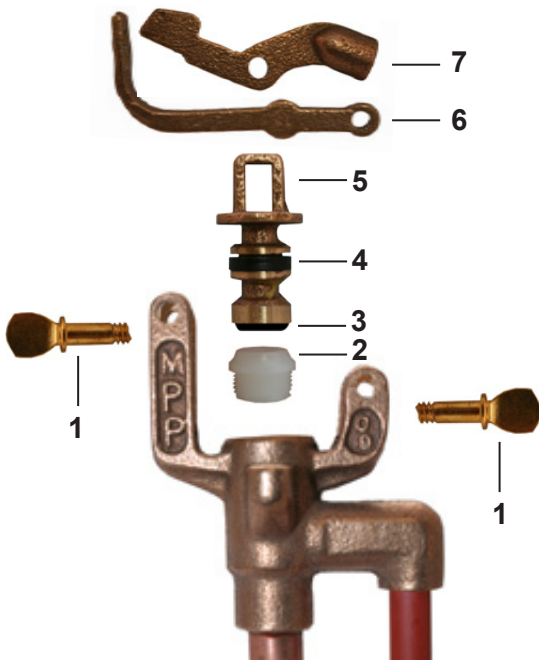
09 Series Brass Ballcock



PRIER's 09 Ballcock combines the features of an economy brass ballcock with quality to pass the tests of time. It features heavy red brass castings, seamless copper riser, longlife nylon valve seat, a smooth flat seating plunger and cup seal to prevent leaking. The compound lever action assures positive opening and closing at all pressures. The 09 Ballcock has no whine, whistling squealing or rattling. It is precision machined to operate dependably and positively. The 09 is the basis for copied products worldwide.

- Dependable and quiet
- Low cost, high quality ballcock
- Longlife nylon valve seat
- Operates equally well at high or low pressures
- Heavy red brass casting
- Cup seal prevents leaking
- Seamless copper riser pipe
- Overall length: 11 1/2"

| Part No. | Description | Carton Qty | Carton Wt |
|----------|---------------------------|------------|-----------|
| 09 | 09 Ballcock, Boxed | 20 | 23 lbs |
| 09-P | 09 Ballcock, Blister View | 10 | 11 lbs |



| ID | Part No. | Description |
|----|----------|--------------------------------------------------|
| 1 | 910-3003 | Thumb Screws (Brass), Quantity 2 Required |
| 2 | 617-3001 | Seat (Nylon) |
| 3 | 636-3003 | Valve Seat (Neoprene) |
| 4 | 636-3002 | Cup Seal (Huva) |
| 5 | 123-5573 | Plunger Assembly, Contains: 3, 4 |
| 6 | 600-3009 | Lower Lever (Brass) |
| 7 | 600-3010 | Upper Lever (Brass) |
| | 630-7066 | Service Kit for 03/09/XQ16, Contains: 1, 2, 3, 4 |

Service kit 630-7066 for the 09 Ballcock also repairs the discontinued Mansfield 03 and XQ16 ballcocks.

Application

Ordering Replacement Parts



4515 East 139th Street
Grandview, MO 64030
(800) 362-9055
Fax (800) 362-1463
www.PRIER.com

190 Series Straight Pattern Urinal Flush Valve



The 190 Urinal Valve is the industry's finest. It is efficient, dependable, quiet and versatile. With its automatic metering design and balanced cartridge assembly, it operates equally well at high or low pressures. The push button operation resists damage and vandalism.

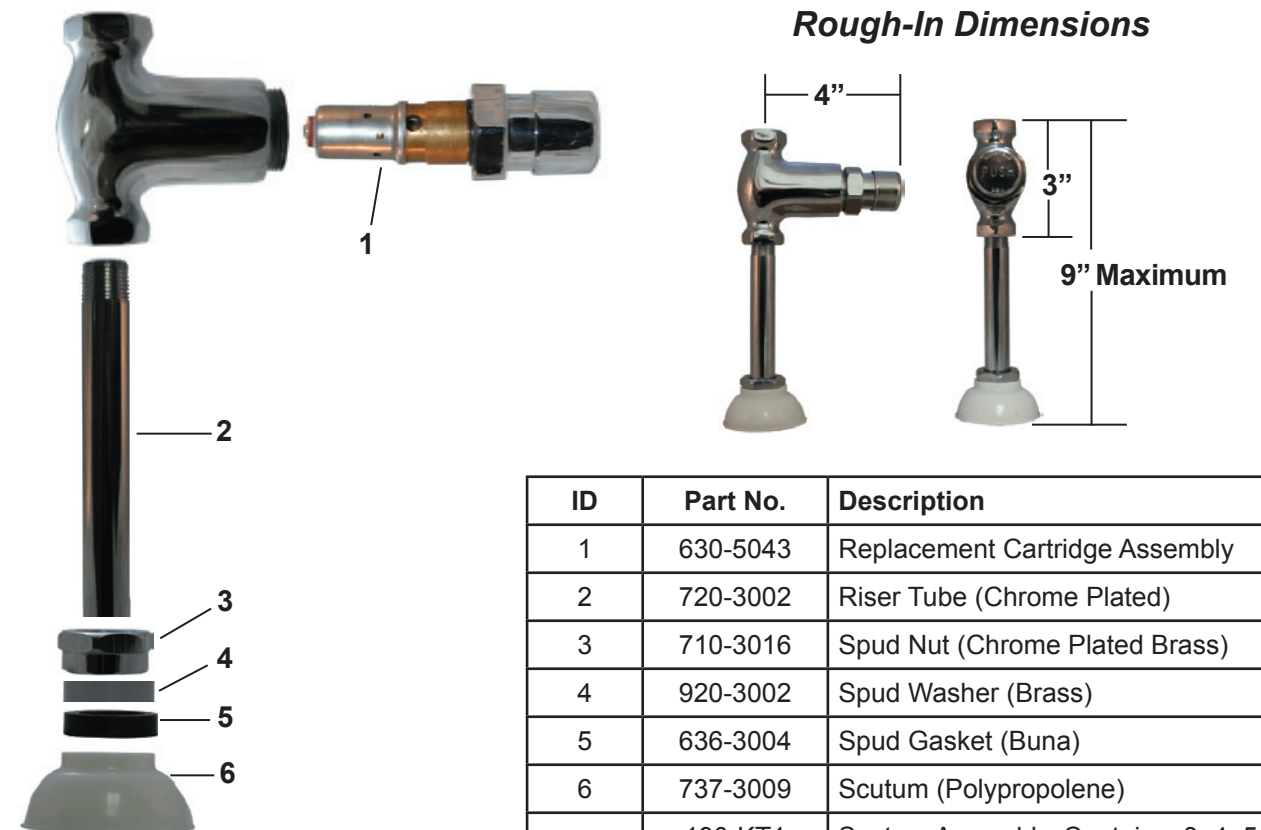
The 190 features a casted brass body with triple chrome plating for long lasting finish. Each valve is water tested to assure proper operation once installed.

- Cast brass body
- Triple chrome plating
- Low cost, high quality
- Operates equally well at high or low pressures

Application

Ordering Replacement Parts

| Part No. | Description | Carton Qty | Carton Wt |
|----------|------------------------------------------------------------------------|------------|-----------|
| 190-0 | 1/2" FNPT Inlet x 3/8" FNPT Outlet Straight Pattern Urinal Flush Valve | 10 | 21 lbs |



| ID | Part No. | Description |
|----|----------|---------------------------------------|
| 1 | 630-5043 | Replacement Cartridge Assembly |
| 2 | 720-3002 | Riser Tube (Chrome Plated) |
| 3 | 710-3016 | Spud Nut (Chrome Plated Brass) |
| 4 | 920-3002 | Spud Washer (Brass) |
| 5 | 636-3004 | Spud Gasket (Buna) |
| 6 | 737-3009 | Scutum (Polypropylene) |
| | 190-KT1 | Scutum Assembly, Contains: 3, 4, 5, 6 |



4515 East 139th Street
Grandview, MO 64030
(800) 362-9055
Fax (800) 362-1463
www.PRIER.com



4515 East 139th Street
Grandview, MO 64030
(800) 362-9055
Fax (800) 362-1463
www.PRIER.com

Application

370 Series Liquid Level Control Valve

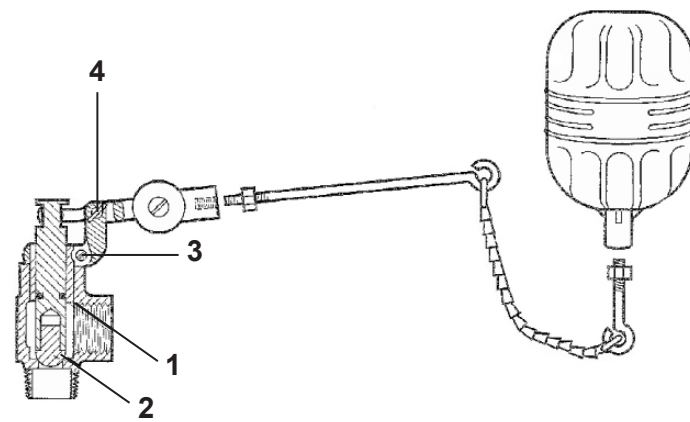


PRIER's 370 Liquid Level Control Valve is designed for cooling towers, stock tanks, poultry troughs, oil level control or any use where liquid level control is desired. The valve is heavy patterned casted brass with a neoprene valve seat. It features positive opening or closing with no leaks or chatter. The 370 Liquid Level Control Valve is available in 1/2" or 3/4" inlets. Each valve is individually tested to assure proper functionality.

- For cooling towers, stock tanks, poultry troughs, oil level control and other uses
- Maintains liquids at the level set
- Horizontal or vertical installation
- 1/2" or 3/4" male IPS inlet x 1/2" female IPS outlet
- Includes 6" rod, chain and float ball
- Durable cast brass construction
- Heavy duty neoprene valve seat
- Positive opening and closing with no leaks or chatter

Ordering Replacement Parts

| Part No. | Description | Carton Qty | Carton Wt |
|----------|-------------------------------------------------------------------------------------|------------|-----------|
| 370-12 | 1/2" MIP x 1/2" FIP Liquid Level Control Valve Contains: Chain, Float and 6" Rod | 10 | 13 lbs |
| 370-34 | 3/4" MIP x 1/2" FIP Liquid Level Control Valve Contains: Chain, Float and 6" Rod | 10 | 13 lbs |

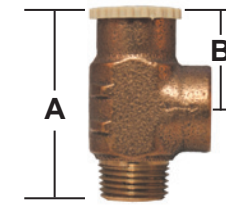


| ID | Part No. | Description |
|----|----------|-----------------------------------|
| 1 | 336-6001 | O-Ring |
| 2 | 736-3002 | Valve Seat (Neoprene) |
| 3 | 910-3006 | Round Head Screw (Brass) |
| 4 | 910-3004 | Thumb Screw (Brass) |
| | 630-7057 | Service Kit, Contains: 1, 2, 3, 4 |

451 Series Pressure Relief Valve



Rough-In Dimensions



- Engineered for Pressure Relief ONLY
- Opens Automatically When Line or Tank Pressure Exceeds Valve Setting
- Heavy Casted Red Brass Body
- Stainless Steel Control Springs
- Every Valve Individually Tested

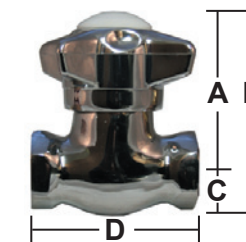
| | 1/2" Valve | 3/4" Valve |
|----------|------------|------------|
| A Length | 2 1/4" | 2 7/16" |
| B Length | 1 1/8" | 1 1/8" |

| Part No. | Description | Carton Qty | Carton Wt |
|------------|-------------------------------------|------------|-----------|
| 451-12-75 | 1/2" MPT Brass Relief Valve 75 PSI | 50 | 17 lbs |
| 451-12-125 | 1/2" MPT Brass Relief Valve 125 PSI | 50 | 17 lbs |
| 451-12-150 | 1/2" MPT Brass Relief Valve 150 PSI | 50 | 17 lbs |
| 451-12-200 | 1/2" MPT Brass Relief Valve 200 PSI | 50 | 17 lbs |
| 451-34-75 | 3/4" MPT Brass Relief Valve 75 PSI | 50 | 17 lbs |
| 451-34-125 | 3/4" MPT Brass Relief Valve 125 PSI | 50 | 17 lbs |
| 451-34-150 | 3/4" MPT Brass Relief Valve 150 PSI | 50 | 17 lbs |

184 Series Self-Closing, Multi-Purpose Valve



Rough-In Dimensions



- Spring Loaded, Self-Closing Operation
- For Fixtures Requiring Manual Valves
- Heavy Casted Brass Body
- Tamper Resistant Cross Handle
- Slip-Stop Prevents Breakage
- Tested for Quality and Dependability

| | |
|----------|---------|
| A Length | 2 3/8" |
| B Length | 3" |
| C Length | 5/8" |
| D Length | 2 7/16" |

| Part No. | Description | Carton Qty | Carton Wt |
|----------|-------------------------------------------------------------------------|------------|-----------|
| 184-38 | 3/8" x 3/8" Self-Closing Multi-Purpose Valve | 5 | 3 lbs |
| 184-12 | 1/2" x 1/2" Self-Closing Multi-Purpose Valve | 5 | 3 lbs |
| 630-7966 | Service Kit, Contains: Bonnet Packing, Stem Assembly, O-Ring and Spring | 10 | N/A |



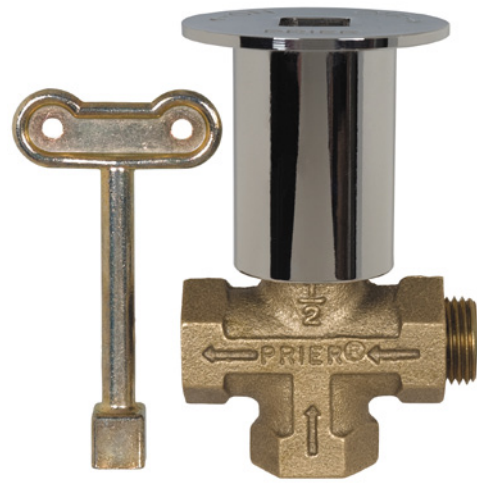
4515 East 139th Street
Grandview, MO 64030
(800) 362-9055
Fax (800) 362-1463
www.PRIER.com



4515 East 139th Street
Grandview, MO 64030
(800) 362-9055
Fax (800) 362-1463
www.PRIER.com

C-64 Series Brass Log Lighter Valve

Application



The C-64 Gas Valve is a 3-way design, allowing for installation as a straight or angle valve. This design allows one valve to be used in multiple applications.

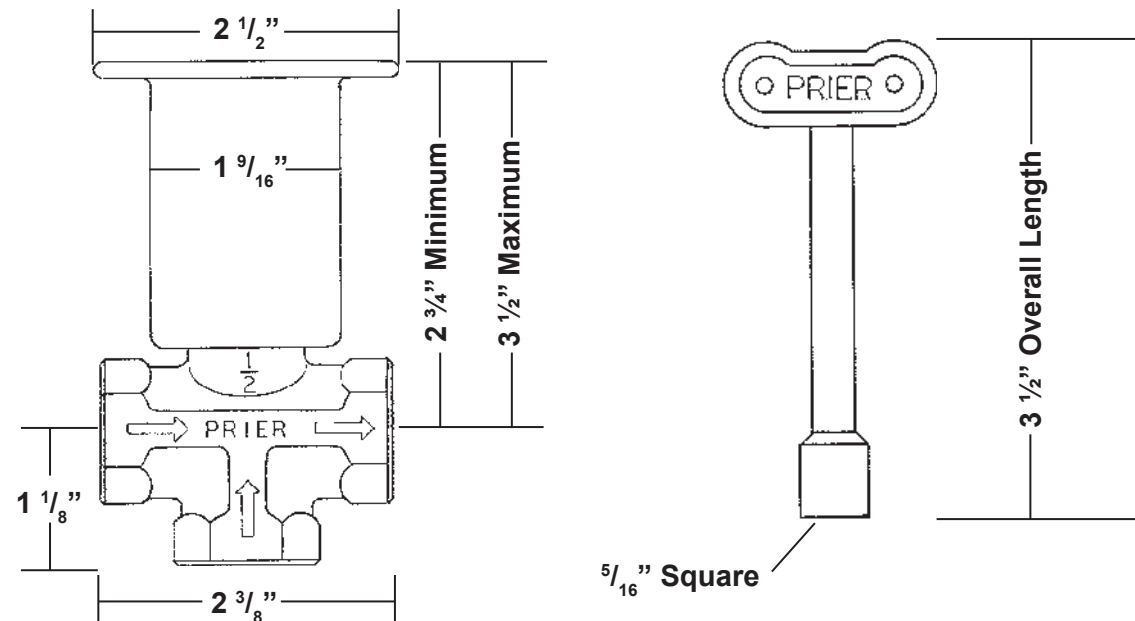
- Heavy cast brass valve body
- 3-way design allows for multiple installation options
- Polished brass or chrome plated escutcheon
- Includes one 1/2" brass plug to block off unused opening
- Shipped with hearth key
- Available with stem extender

Natural Gas BTU Ratings: C-64 Gas Valve: 70,840 BTUH at 7" W.C. Inlet

Ordering

| Part No. | Description | Carton Qty | Carton Wt |
|----------|--------------------------------------------------------------|------------|-----------|
| C-64CP | 3 Way Log Lighter Valve; 1/2" FPT; Chrome Plated Escutcheon | 24 | 36 lbs |
| C-64BR | 3 Way Log Lighter Valve; 1/2" FPT; Polished Brass Escutcheon | 24 | 36 lbs |
| 510-0002 | Escutcheon Only, Chrome Plated for C-64 | 12 | 7 lbs |
| 510-0001 | Escutcheon Only, Polished Brass for C-64 | 12 | 7 lbs |
| C-64-007 | Die Cast Log Lighter Key for C-64 Log Lighter Valve | 12 | 1 lb |
| C-64-009 | 10" Die Cast Log Lighter Key for C-64 Log Lighter Valve | 12 | 2 lbs |
| C-64-015 | 14" Stem Extender for C-64 Log Lighter Valve | 12 | 2 lbs |

Rough-In Dimensions



C-67 Series Brass Log Lighter Ball Valve

Application



The C-67 AGA Gas Valve is for use on any gas fireplace or appliance. Using the included operating rod, the installer can install the valve from 1" to 14" depth, allowing it to be installed "below-the-joist," eliminating fittings and installation time. The C-67 Gas Valve is also used as a shutoff for any gas burning appliance.

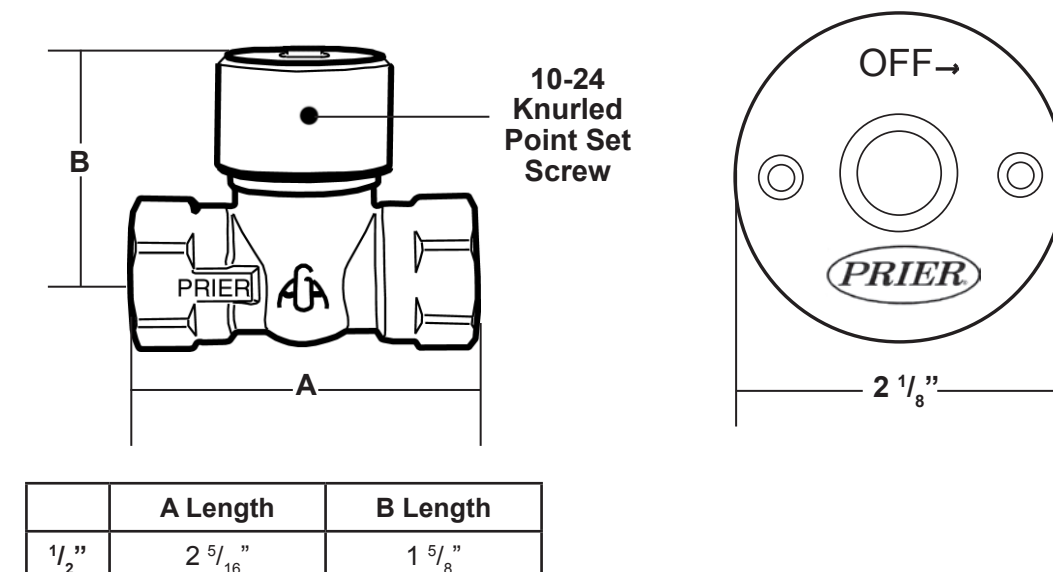
- AGA approved ball valve with stops
- Allows custom installation from 1" to 14" from surface
- Ideal for below-the-joist installation
- Brass or chrome plated escutcheon
- For use as log lighter valve or shutoff for gas equipment
- Shipped with two wood screws and hearth key

Natural Gas BTU Ratings: 1/2" C-67 Gas Valve: 51,796 BTUH at 7" W.C. Inlet

Ordering

| Part No. | Description | Carton Qty | Carton Wt |
|------------|----------------------------------------------------------------|------------|-----------|
| C-67CP.50 | 1/2" Extended Stem Log Lighter Valve, Chrome Plated Escutcheon | 24 | 26 lbs |
| C-67BR.50 | 1/2" Extended Stem Log Lighter Valve, Brass Escutcheon | 24 | 26 lbs |
| C-67KT-012 | Chrome Escutcheon & Screw Kit for C-67 Valve | 12 | 4 lbs |
| C-67KT-013 | Brass Escutcheon & Screw Kit for C-67 Valve | 12 | 4 lbs |
| C-67-007 | Hearth Key for C-67 Log Lighter Valve | 12 | 2 lbs |

Rough-In Dimensions





4515 East 139th Street
Grandview, MO 64030
(800) 362-9055
Fax (800) 362-1463
www.PRIER.com

C-69 Series Cast Iron Burner Bar

Application



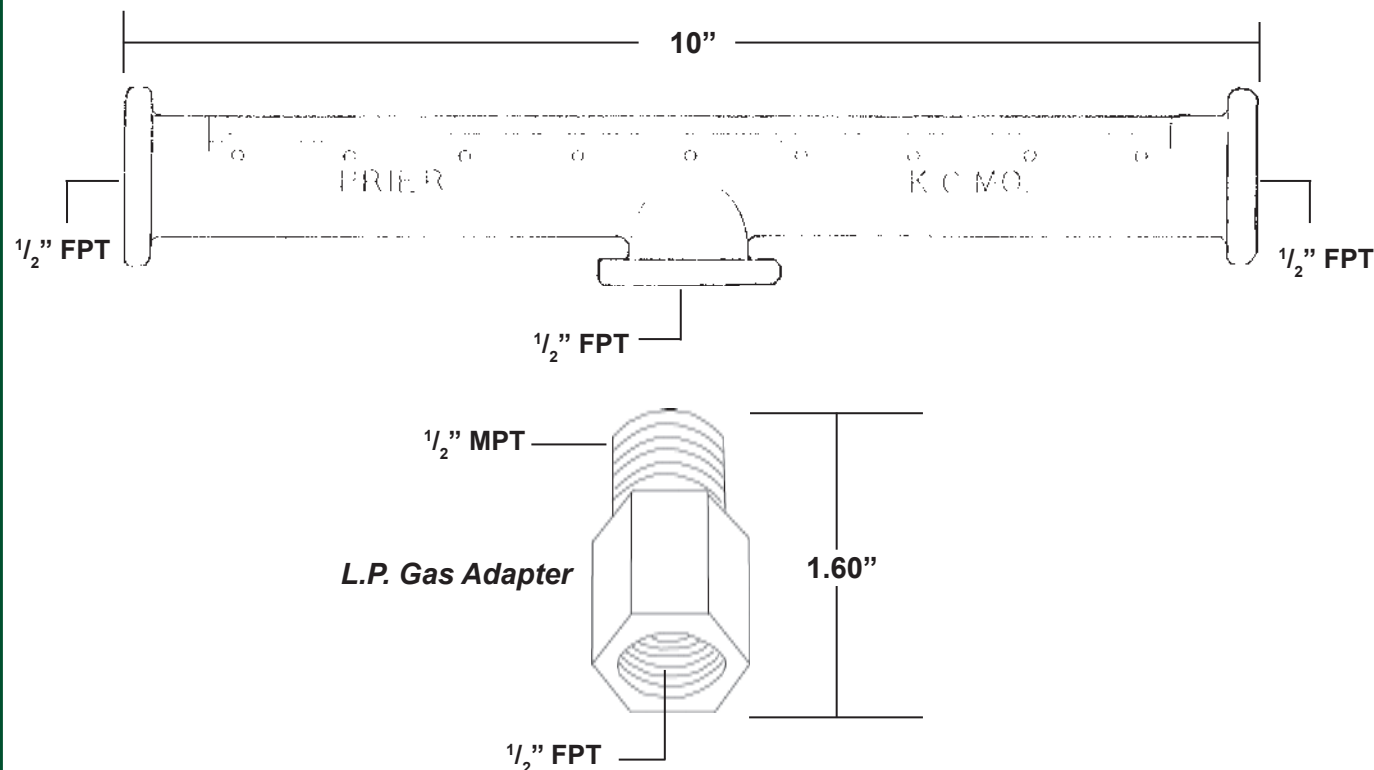
The C-69 Cast Iron Burner Bar is the original burner bar with ash shields to prevent clogging of the gas ports. The tee style design has three 1/2" I.P.S. tapings for gas service from bottom or either side. The burner bar is shipped with two plugs for the unused ports

- Three 1/2" openings for flexible installation
- Ash shields prevent clogging of gas ports
- Flame diffusing design
- Ships with 2 plugs to block off unused openings
- LP Gas Adapter available

**Natural Gas BTU Ratings:
58,225 BTUH at 7" W.C. Inlet**

Ordering Rough-In Dimensions

| Part No. | Description | Carton Qty | Carton Wt |
|----------|-------------------------------------|------------|-----------|
| C-69 | Cast Iron Burner Bar | 24 | 46 lbs |
| 514-0001 | LP Adapter for C-69 Burner Bar Only | EA | |



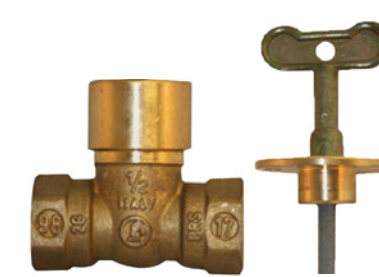
4515 East 139th Street
Grandview, MO 64030
(800) 362-9055
Fax (800) 362-1463
www.PRIER.com

C-70/71 Hearthglow Log Lighter Kits

Application



C-64 Brass Log Lighter Valve



C-67 Brass Log Lighter Ball Valve



C-69 Cast Iron Burner Bar

Features

PRIER's C-70/C-71 Hearthglow Log Lighter Kit is often copied, but never quite duplicated. The Hearthglow Log Lighter Kit is designed for log burning fireplaces and can be installed with multiple log lighter bars for extra wide hearths.

The C-64 Gas Valve is a 3-way design, allowing for installation as a straight or angle valve. This design allows one valve to be used in multiple applications. The C-70 Log Lighter Kit includes a brass plug for the unused opening on the valve. The C-67 Gas Valve includes a 12" operating rod that the installer cuts to the desired length. The C-67 has the flexibility of being installed from 1" to 14" below the surface. It is perfect for below-the-joist or in-wall installation.

Kit Includes:

- C-64 3-Way Gas Valve **or** C-67 Extended Stem Gas Valve (**choose one**)
- Polished Brass or Polished Chrome Escutcheon
- C-69 Log Lighter Bar with ash shields
- Hearth key
- Burner Bar entry from left, right or bottom
- Available for use with LP Gas by adding PRIER 514-0001 LP Adapter to C-69 Burner Bar

**Natural Gas BTU Ratings:
C-70 Kit with C-64 Gas Valve: 70,840 BTUH at 7" W.C. Inlet
C-71 Kit with C-67 Gas Valve: 58,225 BTUH at 7" W.C. Inlet**

Ordering

| Part No. | Description | Carton Qty | Carton Wt |
|----------|-------------------------------------------------------------------------------------------------------------------------------|------------|-----------|
| C-70CP | Hearthglow Log Lighter Kit with C-64 3-Way Gas Valve-Chrome Escutcheon & Plug, C-69 Burner Bar with Plugs, Hearth Key | 12 | 48 lbs |
| C-71CP | Hearthglow Log Lighter Kit with C-67 Extended Stem Gas Valve-Chrome Escutcheon, C-69 Burner Bar with Plugs, Hearth Key | 12 | 42 lbs |
| C-70BR | Hearthglow Log Lighter Kit with C-64 3-Way Gas Valve-Polished Brass Escutcheon & Plug, C-69 Burner Bar with Plugs, Hearth Key | 12 | 48 lbs |
| C-71BR | Hearthglow Log Lighter Kit with C-67 Extended Stem Gas Valve-Brass Escutcheon, C-69 Burner Bar with Plugs, Hearth Key | 12 | 42 lbs |
| 514-0001 | LP Gas Adapter for PRIER C-69 Burner Bar | EA | 1 lb |



4515 E 139th Street, Grandview, MO 64030
800-362-9055 | F: 800-362-1463 | www.PRIER.com

QUESTIONS?

CONTACT PRIER'S FRIENDLY CUSTOMER SERVICE
DEPARTMENT AT 800-362-9055 OR SALES@PRIER.COM.
FOR MORE TECHNICAL INFORMATION, VISIT WWW.PRIER.COM.