

METER-RITE®

Grade-Level Double-Throw Switch
 Catalog No. 7205A, 7805, 7406, 7806
 240 Vac
 Type 3R Rainproof Enclosure



SCHEMATIC FOR CAT. NOS.
 7205A, 7805, 7406, 7806

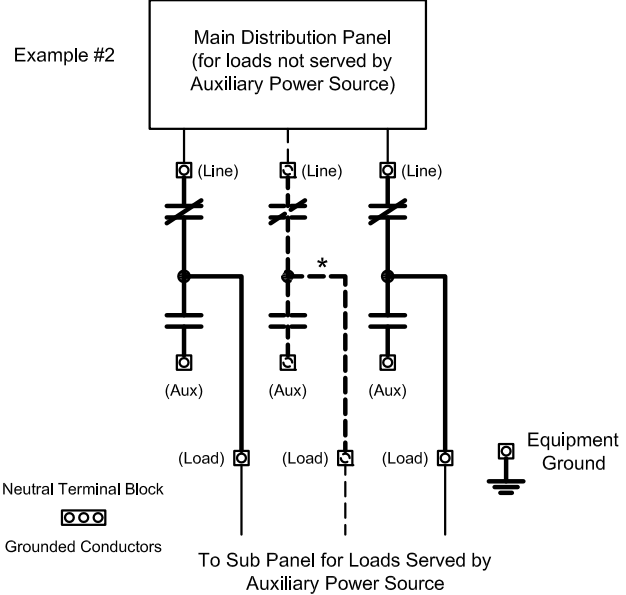
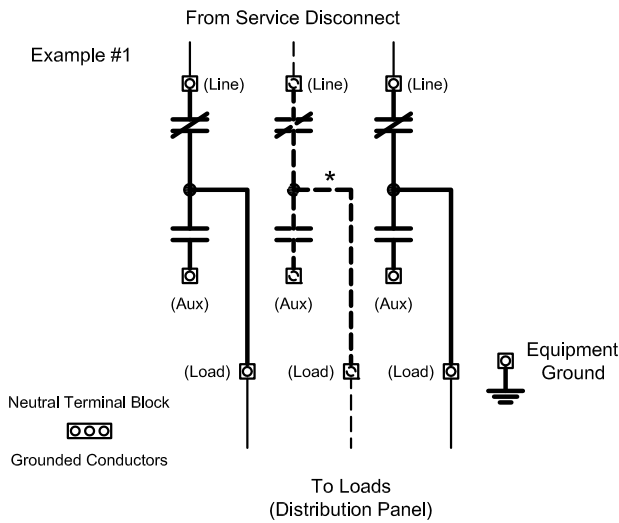
RONK ELECTRICAL INDUSTRIES, INC.
 NOKOMIS, ILLINOIS

Scale	NONE	Drawing Number	2-4788
Drawn	GMW		
Date	12/02/13		
Approved	NCL		

This Double-Throw Switch can be installed in several different locations, depending upon the load it is to supply. If the Auxiliary Power Source is to supply power to the complete system, then the switch should be installed between the service disconnect and the distribution panel. (See Example #1).

NOTE: Some authorities having jurisdiction and/or power suppliers will allow the Double-Throw Switch to be placed ahead of the Service Disconnect under certain conditions. **CAUTION:** In these cases always be certain that available fault current will not exceed 10,000 amperes (RMS symmetrical).

In applications where the Auxiliary Power Source cannot supply enough power to operate all the loads, sub-panel may be added to the system. The loads that need to be operated from the Auxiliary Power Source are then connected to a sub-panel. For this type of installation, the Double-Throw Switch can be installed between the main distribution panel and the sub-panel. (See Example #2)



* Center (3rd) pole not on Catalog Nos. 7205A AND 7406.

USE COPPER OR ALUMINUM WIRE RATED 75°C.

LOCATE OPENINGS FOR CONDUIT BELOW OPERATING HANDLE UNLESS LIQUID TIGHT HARDWARE IS UTILIZED.

WARNING: ALL ADJUSTMENTS ON SWITCH HAVE BEEN MADE AT FACTORY AND MUST NOT BE CHANGED IN FIELD.

SWITCH CATALOG NUMBER	PHASE	AMPS	CUSTOMER CONNECTIONS			
			LINE LUGS	AUX LUGS	LOAD LUGS	NEUTRAL
7205A	1Ø	200	250 MCM- #6 CU-AL (1-HOLE LUG)	250 MCM- #6 CU-AL (1-HOLE LUG)	250 MCM- #6 CU-AL (4-HOLE LUG)	350 MCM- #6 CU-AL (4-HOLE BAR)
7805	3Ø					
7406	1Ø	400	(2) 250 MCM-1/0 or (1) 600 MCM- #4 CU-AL (1-HOLE LUG)	(2) 250 MCM-1/0 or (1) 600 MCM- #4 CU-AL (1-HOLE LUG)	250 MCM- #6 CU-AL (4-HOLE LUG)	350 MCM- #6 CU-AL (6-HOLE BAR)
7806	3Ø			†	†	‡

TIGHTENING TORQUE	
SOCKET SIZE (INCH)	TORQUE (IN-LB)
1/8	45
5/32	100
3/16	120
7/32	150
1/4	200
5/16	250
3/8	375
1/2	500
9/16	600

† Wire bending space in the enclosure based on (2) 250 MCM, not (1) 600 MCM.

‡ Optional Load and Neutral lug for 600 MCM wire available. Specify at time of purchase.

Revision Description
 RE-DRAWN FOR CAD.

Rev	CN	Date	BY	GMW