



Primary Sump Pump - SR33

SR33-VS 1/3 HP 2820 GPH @ 10'

18
month
warranty

Features

- Cast aluminum/ durable nylon
- Energy efficient PSC motors
- Stainless steel fasteners
- Harmonically balanced quiet, operation



Industrial Grade for the Residential Market

www.StopFlooding.com

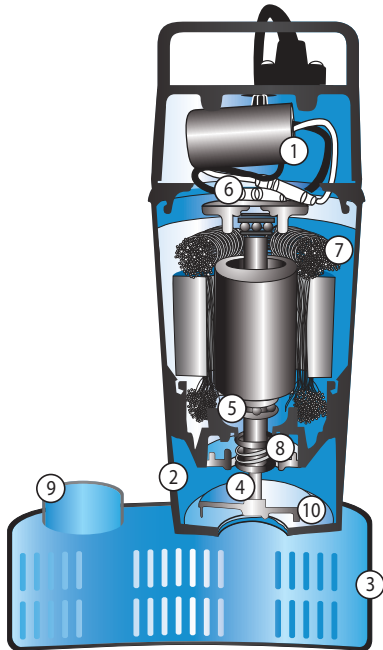
800-991-0466

Pump Features and Construction

- Cast aluminum body/ durable nylon cover
- Energy efficient permanent split capacitor (PSC) motor
- Upper and lower sealed ball bearings
- Carbon ceramic plus Buna N shaft seals
- Stainless steel fasteners
- Engineered polymer impeller
- Built-in vertical switch
- 10' Pump cord
- Will fit in a 10" diameter sump pit

Sump Pump Components/ Construction

1. Permanent split capacitor (PSC) motor increases energy efficiency
2. Cast aluminum body/ durable nylon cover
3. Polypropylene strainer
4. Electroplated steel shaft
5. Upper and lower sealed ball bearings provide quiet operation that homeowners appreciate
6. Thermally protected
7. Water cooled (no cooling oil)
8. Carbon ceramic shaft seals plus (1) Buna-N-Seal
9. 1-1/2" outlet
10. Engineered polymer impeller

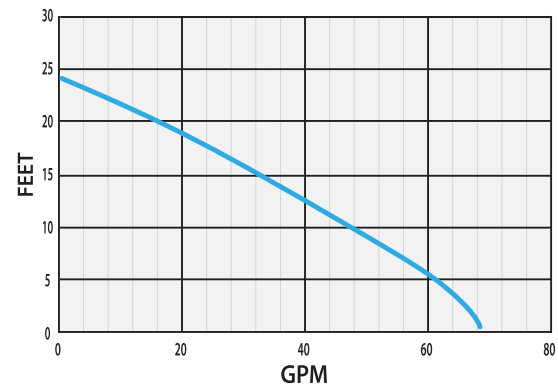


Available from:

Specifications and Dimensions

Flow @ 5 ft. Head	4080 GPH/ 68 GPM
Flow @ 10 ft. Head	2820 GPH/ 47 GPM
Max Head	24.6 ft. (7.5 m)
Strainer	Polypropylene
Discharge	1-1/2" (3.8 cm.)
Motor HP/Type	1/3 HP - PSC Motor
Voltage	115 VAC, 60 Hz
Amp. Draw @ 10 ft. Head	3.3 Amps
Width	8.0" (20.3 cm)
Depth	6.0" (15.2 cm)
Height	12.5" (31.8 cm)
Weight	12.2 lbs. (5.5 kg)

Flow Chart



Why Pro Series Pumps?

Premium Components

- Designed for higher pumping capacities, increased energy efficiencies, resulting in proven reliability
- Industrial grade, built for the residential market
- PSC motors
- Upper and lower ball bearings

Energy Savings

- The SR Series saves an average of \$62 per year (Based on an average sump pump run time of five minutes per hour for one year. The estimated average of a 1/3 HP shaded pole motor is 9.5 Amps. Average electric cost per-kilowatt-hour is \$0.12)

Exceeding Expectations

- Patented switches and controllers with state-of-the-art monitoring systems
- "Good, Better, Best" offering allows for a wide range of products to best fit your needs

On the Forefront of Technology

- Many of the models within the Pro Series line have a USB Data Port and Remote Terminal which allows for connection to an external device that can notify a home owner of a problem or needed maintenance while away from home
- Receive text, email, or in-app notifications while away from home