

Job Name/Location:

Tag #:

Date:

For: File Resubmit
 Approval Other _____

PO No.:

Architect:

GC:

Engr:

Mech:

Rep:

(Company)

(Project Manager)

PDRYCB300

Dry Contact for Thermostat



Electrical:

Power Supply	12 VDC (from indoor unit)
--------------	---------------------------

Surrounding Conditions:

Operating Temperature	14 - 158 °F
Storage Temperature	-4 - 176 °F
Humidity	0-98% (non-condensing)

Unit Data:

Dimensions	4-1/8" W x 3-1/16" H x 1-3/8" D
Contact Rating	3A @ 125 VAC

Standard Features

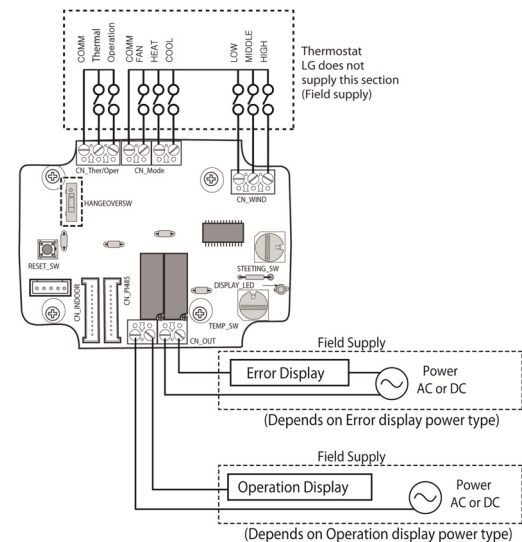
- Control indoor unit operation with 3rd party thermostat or controller
- Inputs for control of Unit On/Off, Thermo On/Off, Mode (Cool/Heat/Fan) and Fan Speed (Low, Med, High)
- Outputs for Operation and Error Status
- Compatible with all Multi V and select DFS units¹
- Heat Pump Control
- Security and Occupancy Sensor Control

Notes:

- 1.Contact Engineering for a list of compatible IDU's.
- 2.Must follow installation instructions in the applicable LG installation manual.

Wiring:

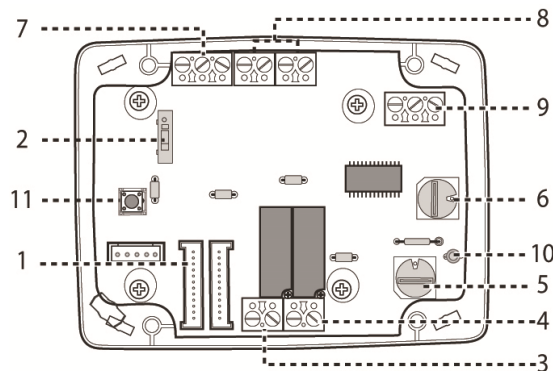
For control by dry contact input



Connectivity:

LG Communications	30" Wiring Harness (included)
-------------------	-------------------------------

Description:



- | | |
|---|---|
| 1 CN_INDOOR: Connector for indoor unit | 7 CN_Ther/oper: Thermo On/Off, Unit On/Off Inputs |
| 2 CHANGE_OVER-SW: Voltage/Non-voltage input | 8 CN_MODE: Mode Input |
| 3 CN_OUT(O1,O2): Operating Status | 9 CN_WIND: Fan Speed Input Status |
| 4 CN_OUT(E3,E4): Error Status Output | 10 DISPLAY_LED: PCB Status |
| 5 TEMP_SW: Setpoint Select | 11 RESET_SW Reset Switch |
| 6 SETTING_SW: Function Select | |

For input contact voltage: DC 5-12 V, 24 V~

